

Module Ordering Information

Style	Series	Lamps	Type	Length	Ballast	Options
LP	W	1 1 = 1 Lt Cross Section	B4 = 40W Biax B5 = 50W Biax	4 = 4-Foot 8 = 8-Foot	U = Uni-voltage E = Emergency Pack D1 = Dimming 120v D2 = Dimming 277v	Blank = No Options DS = Dual Switched X4 = 4th through wire

Complete ordering instructions below.

Features

- Housing:** 18 gauge steel. Die-formed steel end cap with concealed access holes for through wiring. No exposed fasteners or hardware.
- Lamping:** Two FT40W or FT50W fluorescent lamp per 4-Foot section. Provided by others
- Reflector:** Precision die-formed specular aluminum.
- Diffuser:** Opal Acrylic.

Electrical

Ballast is universal voltage, <10% THD, .88 ballast factor, instant start. 3 conductor, 18 gauge wire. Color-coded quick connectors allow ease of connection for joiner modules. For special circuiting consult factory. Factory installed ballast disconnect allows the ballast to be disconnected from and reconnected to incoming power under load without turning the entire circuit off.

Dimming: 120/277 VAC.

Emergency Battery Pack: 40 watt: 450 lumens @ 90 minutes.

Finish

Powder coated baked white enamel. Custom colors available, consult factory.

Options

Dual Switching: Order the DS option for separate row switching. DS option automatically ships with the X4 option included.

X4 Wire: Order X4 modules for remainder of the run when using dimming and/or switched emergency battery pack modules.

Emergency Circuiting: Special circuiting - consult factory.

Ordering Instructions

Individual Fixtures:

- Order number of MODULES required.
- Order one END SET per MODULE.

Continuous Rows:

- Determine run length.
- Order the appropriate number of MODULES for the complete run.
- Order one END SET per run.
- Order one JOINER CONNECTOR per MODULE in run minus one.

Labels

UL, cUL and I.B.E.W.

Job Information

Type:

Job Name:

Cat. No.:

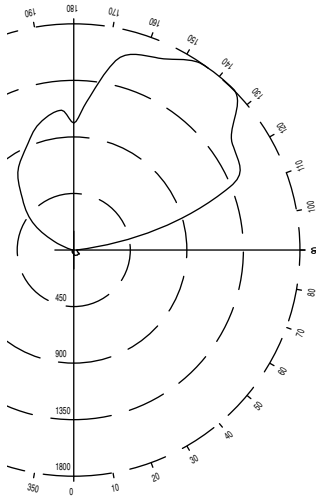
Lamp(s):

Notes:

631 Airport Road, Fall River, MA 02720 • (508) 679-8131 • Fax (508) 674-4710
We reserve the right to change details of design, materials and finish.
www.lightolier.com © 2008 Philips Group • B0908

Performance

CANDLEPOWER CURVE



ZONE DEG.	CANDLEPOWER			
	22	45	67	90
180	1011	1011	1011	1011
175	1185	1165	1106	1032
165	1607	1510	1419	1181
155	1680	1586	1464	1238
145	1799	1715	1523	1247
135	1804	1743	1474	1089
125	1532	1567	1343	1032
115	1461	1405	1139	876
105	779	817	805	585
95	50	65	88	190
90	22	21	14	13
85	24	22	16	10
75	31	29	23	15
65	32	29	23	15
55	55	53	47	39
45	47	44	39	32
35	50	48	44	38
25	45	44	41	37
15	44	43	42	40
5	39	39	38	37
0	33	33	33	33

COEFFICIENTS OF UTILIZATION % EFFECTIVE CEILING CAVITY REFLECTANCE

ROOM CAVITY RATIO	WALL REFLECTANCE									
	80		70			50				
	70	50	30	70	50	30	50	30	10	
0	69	69	69	59	59	59	41	41	41	41
1	63	60	57	54	52	49	36	35	33	33
2	57	52	48	49	45	42	31	29	28	28
3	52	46	41	45	40	36	28	25	23	23
4	48	40	35	41	35	31	24	22	20	20
5	43	36	30	37	31	26	22	19	17	17
6	40	32	26	34	27	23	19	16	14	14
7	36	28	23	31	24	20	17	14	12	12
8	34	25	20	29	22	18	15	13	11	11
9	31	23	18	27	20	16	14	11	9	9
10	29	21	16	25	18	14	13	10	8	8

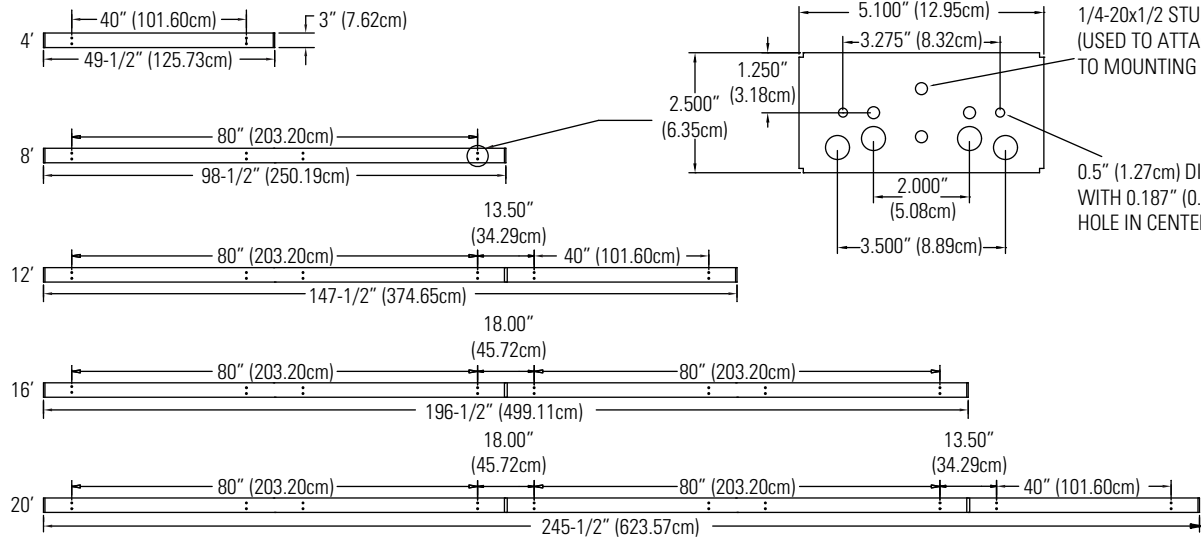
20% FLOOR CAVITY REFLECTANCE

DISTRIBUTION

Zone	Lumens	% Lamp	% Luminaire
0-90	137	2.2	3.0
90-180	4405	69.9	97.0
0-180	4543	72.1	100.0

REPORT NO: LRL 1200-6B
 CAT. NO: LPW1B44U
 LAMPS: 2-F40BX
 LUMENS: 3150
 EFFICIENCY: 72.1%

Fixture Lengths & Mounting Locations

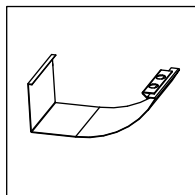


MOUNTING PLATE DETAIL

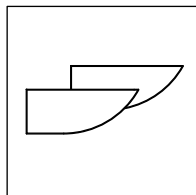
1/4-20x1/2 STUDS
 (USED TO ATTACH FIXTURE
 TO MOUNTING PLATE)

0.5" (1.27cm) DIMPLE
 WITH 0.187" (0.47cm)
 HOLE IN CENTER

Mounting Accessories



LPWC Joiner Connector
 Covers the joint
 between modules



LPWE End Set
 One set of a left and
 right plate to finish
 the run.

	4' (121.92cm) Module	8' (243.84cm) Module	End Set	Connector
4' (121.92cm) Run	1		1	
8' (243.84cm) Run		1	1	
12' (365.76cm) Run	1	1	1	1
16' (487.68cm) Run		2	1	1
20' (609.60cm) Run	1	2	1	2
24' (731.52cm) Run		3	1	2

Job Information Type:

631 Airport Road, Fall River, MA 02720 • (508) 679-8131 • Fax (508) 674-4710
 We reserve the right to change details of design, materials and finish.
 www.lightolier.com © 2008 Philips Group • B0908