

Module Ordering Information

Style	Series	Type	Lamps	Length	Ballast	Options
LP	1	C	2T8 2T8 = 2-F32T8	4 = 4-Foot 8 = 8-Foot 12 = 12-Foot	U = Universal Voltage E = Emergency Pack D1 = Dimming 120v D2 = Dimming 277v	Blank = No Options DS = A-B Switch X4 = 4 Wire for Dimming & Switched Emergency

Complete ordering instructions below.

Features

- Housing:** 18 gauge perforated steel with 41% open hole pattern. Holes are 1/16" (0.16cm) diameter on 3/32" (0.24cm) centers. Die-formed steel end cap with concealed access holes for through wiring. No exposed fasteners or hardware.
- Lamping:** Two T8 32 watt fluorescent lamps per 4-foot section. Lamps provided by others.
- Reflector:** Precision die-formed CRS painted high reflectance white.
- Diffuser:** Opal acrylic diffuser.

Electrical

Ballast is universal voltage, <10% THD, .88 ballast factor, instant start. 3 conductor, 18 gauge wire. Color-coded quick connectors allow ease of connection for joiner modules. For special circuiting consult factory. Cord is 18/3 SJT. Factory installed ballast disconnect allows the ballast to be disconnected from and reconnected to incoming power under load without turning the entire circuit off.

Dimming: 120/277 VAC, 4 wire feed required.

Emergency Battery Pack: 32 watt: 450 lumens @ 90 minutes.

Mountings

Cable Suspension (not shown) - 4-1/2" (11.43cm) diameter flat canopy finished white enamel, 1/16" (0.16cm) diameter stainless steel aircraft cable adjustable up to 36" (91.44cm) without cutting. Overlap connector to provided 46" (116.84cm) of perforated and 2" (5.08cm) solid sections contiguously without the presence of hairline connections (see Bottom View drawing above).

Options

Dual Switching: Order the DS option for separate row switching. DS option automatically ships with the X4 option included.

4 Wire: Order X4 modules for remainder of the run when using dimming and/or switched emergency battery pack modules. Also, order the 4 Wire Cord Power Feed End Sets (LP1EC36X4) when using 4 Wire Modules.

Emergency Circuiting: Special circuiting - consult factory.

Ordering Information

Individual Fixtures:

- Order number of MODULES required.
- Order one POWER FEED END SET per MODULE.

Continuous Rows:

- Determine run length.
- Order the appropriate number of MODULES for the complete run.
- Order one POWER FEED END SET per run.
- Order one CABLE ASSEMBLY per MODULE minus one per run.
- For runs that exceed amperage limits, order the appropriate number of SINGLE CABLE & CORD FEEDS.

Finish

Powder coated baked white enamel. Custom colors available, consult factory.

Labels

UL, cUL and I.B.E.W.

Job Information

Type:

Job Name:

Cat. No.:

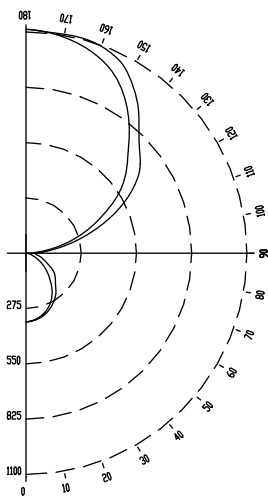
Lamp(s):

Notes:

631 Airport Road, Fall River, MA 02720 • (508) 679-8131 • Fax (508) 674-4710
We reserve the right to change details of design, materials and finish.
www.lightolier.com © 2008 Philips Group • B0908

Performance

CANDLEPOWER CURVE



REPORT NO: LRL 200-10F
 CAT NO: LP1C2T84U
 LAMPS: 2 F32T8
 LUMENS: 2900
 EFFICIENCY: 75.4%

ZONE DEG.	CANDLEPOWER				
	0	22	45	67	90
	CANDELAS				
180	1113	1113	1113	1113	1113
175	1105	1103	1107	1105	1108
165	1070	1075	1091	1106	1100
155	1004	1018	1054	1071	1072
145	879	912	944	955	959
135	720	762	777	796	800
125	586	607	638	686	660
115	404	421	478	502	504
105	225	251	284	280	284
95	52	82	95	98	104
90	0	22	39	52	60
85	7	23	36	48	56
75	31	39	61	79	88
65	52	65	96	114	124
55	108	119	151	173	175
45	160	167	189	207	215
35	226	230	243	257	264
25	282	283	289	295	298
15	317	318	321	324	321
5	338	338	340	338	339
0	341	341	341	341	341

COEFFICIENTS OF UTILIZATION % EFFECTIVE CEILING CAVITY REFLECTANCE

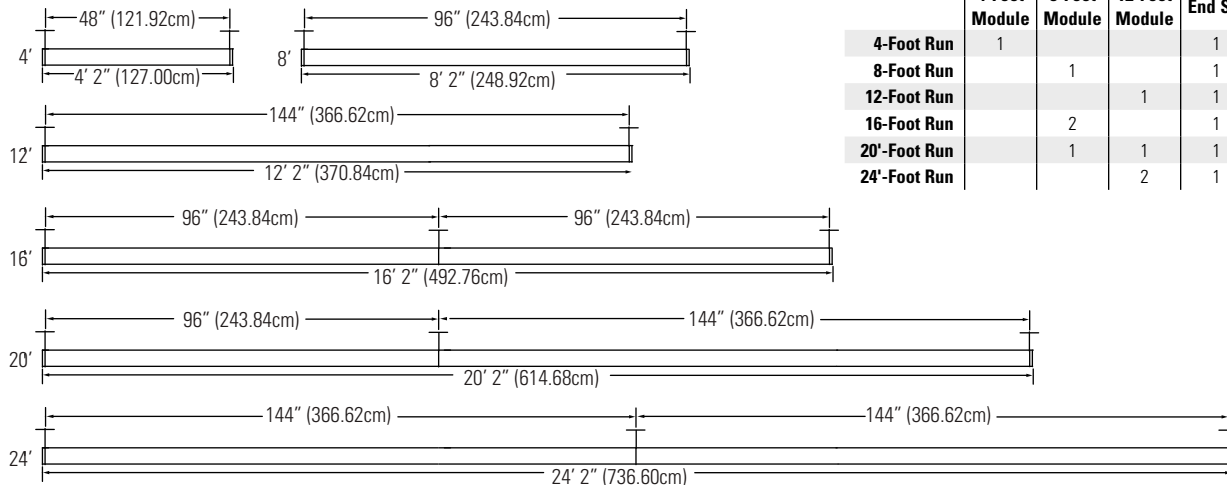
ROOM CAVITY RATIO	WALL REFLECTANCE								
	80			70			50		
	70	50	30	70	50	30	50	30	10
0	75	75	75	67	67	67	50	50	50
1	69	65	63	61	58	56	44	42	41
2	63	57	53	55	51	47	39	36	34
3	57	51	46	50	45	41	34	31	29
4	52	45	39	46	40	35	30	27	25
5	48	40	34	42	35	31	27	24	21
6	44	36	30	39	32	27	24	21	18
7	41	32	26	36	28	24	22	19	16
8	38	29	23	33	26	21	20	17	14
9	35	26	21	31	23	19	18	15	12
10	32	24	18	28	21	17	16	13	11

20% FLOOR CAVITY REFLECTANCE

DISTRIBUTION

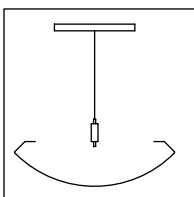
Zone	Lumens	% Lamp	% Luminaire
0-90	878	15.1	20.1
90-180	3495	60.3	79.9
0-180	4373	75.4	100.0

Fixture Lengths & Mounting Locations

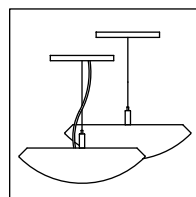


	4-Foot Module	8-Foot Module	12-Foot Module	End Set	Cable/Joiner
4-Foot Run	1			1	
8-Foot Run		1		1	
12-Foot Run			1	1	
16-Foot Run		2		1	1
20'-Foot Run		1	1	1	1
24'-Foot Run			2	1	1

Mounting Accessories

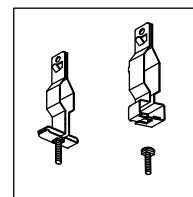


Cable/Joiner Assembly
 Standard Cable Length is 36" (91.44cm)
 Single Cable: **LP1C36**
 Single Cable & Cord: **LP1CC36**
 Single Cable & 4 Wire Cord: **LP1CC36X4**



Power Feed End Set
 Standard Cable Length is 36" (91.44cm)
 Straight Cord: **LP1EC36** 4 Wire Cord*: **LP1EC36X4**

* use for dimming and/or emergency battery packs



Ceiling Grid Kit CGK
 Includes both Standard 1" (2.54cm)
 Tee Bar Clip & Slot Tee Clip

Job Information Type:

631 Airport Road, Fall River, MA 02720 • (508) 679-8131 • Fax (508) 674-4710
 We reserve the right to change details of design, materials and finish.
 www.lightolier.com © 2008 Philips Group • B0908