

Module Ordering Information

Style	Series	Lamps	Type	Length	Ballast	Options
LP	W	2 2 = 2 Lt Cross Section	T8 T8 = T8 Lamps	<input type="text"/> 4 = 4-Foot 8 = 8-Foot	<input type="text"/> U = Uni-voltage E = Emergency Pack D1 = Dimming 120v D2 = Dimming 277v	<input type="text"/> Blank = No Options DS = Dual Switched X4 = 4th through wire

Complete ordering instructions below.

Features

- Housing:** 18 gauge steel. Die-formed steel end cap with concealed access holes for through wiring. No exposed fasteners or hardware.
- Lamping:** Two F32T8 fluorescent lamp per 4-Foot section. Provided by others.
- Reflector:** Precision die-formed specular aluminum.
- Diffuser:** Opal Acrylic.

Electrical

Ballast is universal voltage, <10% THD, .88 ballast factor, instant start. 3 conductor, 18 gauge wire. Color-coded quick connectors allow ease of connection for joiner modules. For special circuiting consult factory. Factory installed ballast disconnect allows the ballast to be disconnected from and reconnected to incoming power under load without turning the entire circuit off.

Dimming: 120/277 VAC.

Emergency Battery Pack: 32 watt: 450 lumens @ 90 minutes.

Finish

Powder coated baked white enamel. Custom colors available, consult factory.

Options

Dual Switching: Order the DS option for separate row switching. DS option automatically ships with the X4 option included.

X4 Wire: Order X4 modules for remainder of the run when using dimming and/or switched emergency battery pack modules.

Emergency Circuiting: Special circuiting - consult factory.

Ordering Instructions

Individual Fixtures:

- Order number of MODULES required.
- Order one END SET per MODULE.

Continuous Rows:

- Determine run length.
- Order the appropriate number of MODULES for the complete run.
- Order one END SET per run.
- Order one JOINER CONNECTOR per MODULE in run minus one.

Labels

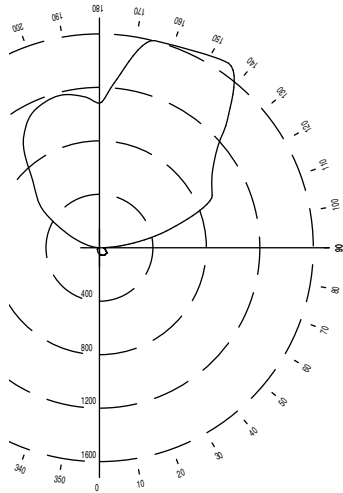
UL, cUL and I.B.E.W.

Job Information	Type:
Job Name:	
Cat. No.:	
Lamp(s):	
Notes:	

631 Airport Road, Fall River, MA 02720 • (508) 679-8131 • Fax (508) 674-4710
 We reserve the right to change details of design, materials and finish.
 www.lightolier.com © 2008 Philips Group • B0908

Performance

CANDLEPOWER CURVE



ZONE DEG.	CANDLEPOWER				
	0	22	45	67	90
		CANDELAS			
180	1081	1081	1081	1081	1081
175	1234	1211	1168	1093	1091
165	1604	1554	1462	1198	1041
155	1544	1460	1428	1258	955
145	1685	1625	1414	1223	829
135	1354	1425	1360	1014	665
125	959	967	941	885	509
115	931	864	703	710	341
105	555	551	491	326	158
95	154	163	134	121	29
90	30	25	16	11	6
85	35	31	20	11	8
75	46	41	31	17	11
65	51	46	35	20	11
55	69	66	57	44	34
45	65	62	53	42	33
35	68	64	57	49	41
25	62	60	55	49	43
15	58	58	55	52	48
5	52	51	49	49	48
0	45	45	45	45	45

COEFFICIENTS OF UTILIZATION % EFFECTIVE CEILING CAVITY REFLECTANCE

ROOM CAVITY RATIO	WALL REFLECTANCE								
	80			70			50		
	70	50	30	70	50	30	50	30	10
0	70	70	70	60	60	60	42	42	42
1	63	60	58	54	52	50	36	35	34
2	58	53	49	49	45	42	32	30	28
3	52	46	41	45	40	36	28	25	23
4	48	41	35	41	35	31	25	22	20
5	44	36	30	37	31	27	22	19	17
6	40	32	26	34	28	23	19	17	14
7	37	28	23	31	25	20	17	14	12
8	34	26	20	29	22	18	16	13	11
9	31	23	18	27	20	16	14	11	9
10	29	21	16	25	18	14	13	10	8

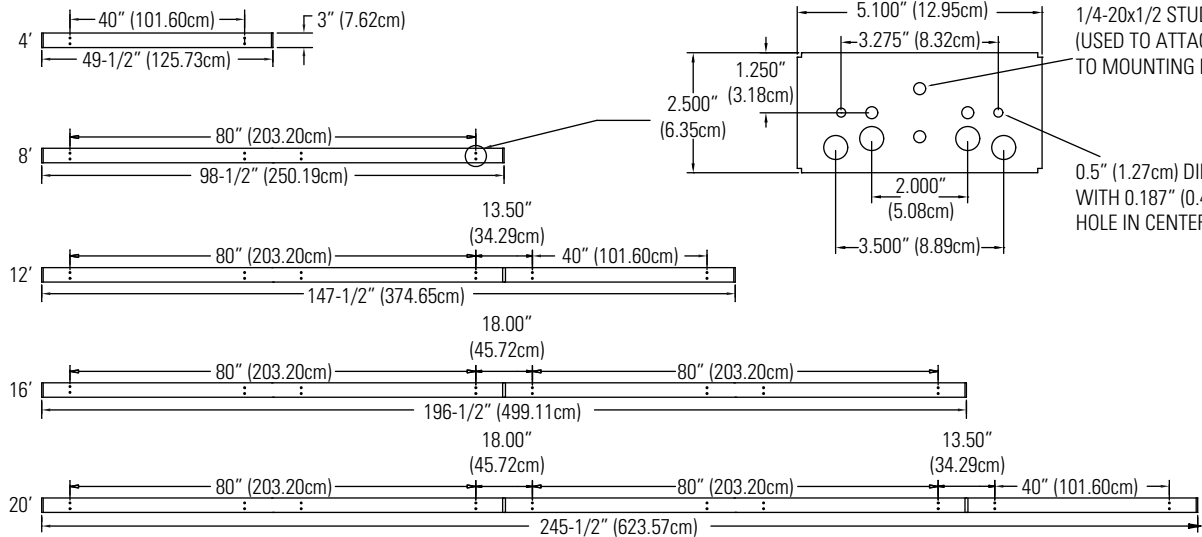
20% FLOOR CAVITY REFLECTANCE

DISTRIBUTION

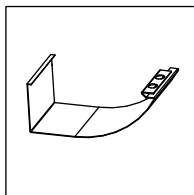
Zone	Lumens	% Lamp	% Luminaire
0-90	172	3.0	4.1
90-180	4026	69.4	95.9
0-180	4198	72.4	100.0

REPORT NO: LRL 1200-6D
CAT. NO: LPW2T84U
LAMPS: 2-F32T8
LUMENS: 2900
EFFICIENCY: 72.4%

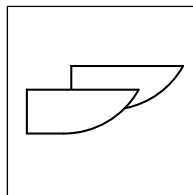
Fixture Lengths & Mounting Locations



Mounting Accessories



LPWC Joiner Connector
Covers the joint between modules



LPWE End Set
One set of a left and right plate to finish the run.

	4' (121.92cm) Module	8' (243.84cm) Module	End Set	Connector
4' (121.92cm) Run	1		1	
8' (243.84cm) Run		1	1	
12' (365.76cm) Run	1	1	1	1
16' (487.68cm) Run		2	1	1
20' (609.60cm) Run	1	2	1	2
24' (731.52cm) Run		3	1	2

Job Information Type:

631 Airport Road, Fall River, MA 02720 • (508) 679-8131 • Fax (508) 674-4710
We reserve the right to change details of design, materials and finish.
www.lightolier.com © 2008 Philips Group • B0908