

Read and understand these instructions before installing luminaire :

This luminaire is intended for installation in accordance with the National Electrical Code and local regulations. To assure full compliance with local codes and regulations, check with your local electrical inspector before installation. To prevent electrical shock, turn off electricity at fuse box before proceeding.

Retain these instructions for maintenance reference

Mounting Procedure for
Linear Low Profile LED
Undercabinet Lighting System
LLP100

WHEN USING ELECTRICAL EQUIPMENT, BASIC SAFETY PRECAUTIONS SHOULD ALWAYS BE FOLLOWED INCLUDING:

1. DO NOT USE OUTDOORS.
2. KEEP LUMINAIRE AWAY FROM CURTAINS, DRAPERIES, AND SIMILAR MATERIALS.

CAUTION - TO REDUCE RISK OF FIRE, ELECTRIC SHOCK, OR INJURY TO PERSONS:

1. USE ONLY INSULATED STAPLES OR PLASTIC TIES TO SECURE CORDS.
2. MAKE SURE CORD IS NOT PINCHED BETWEEN CABINET AND FLOOR.
3. ROUTE AND SECURE CORDS SO THAT THEY WILL NOT BE DAMAGED WHEN THE CABINET IS PUSHED TO THE WALL.
4. DO NOT INSTALL THESE PRODUCTS ABOVE COOKING RANGES/OVENS, TOASTERS, OR OTHER SOURCES OF HEAT.
5. CAUTION: THE 3 CONDUCTOR CORD WITH 3 PRONG PLUG MUST NEVER BE ALTERED. DO NOT CUT OR ATTEMPT TO REMOVE GROUNDING PRONG. USE ONLY IN GROUNDED OUTLET.

Read and understand these instructions before installing luminaire :

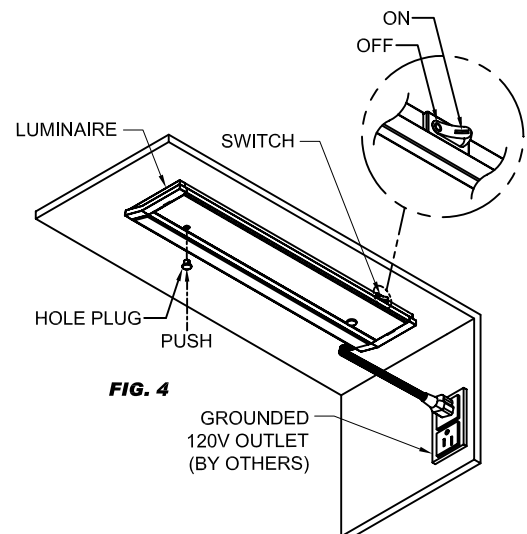
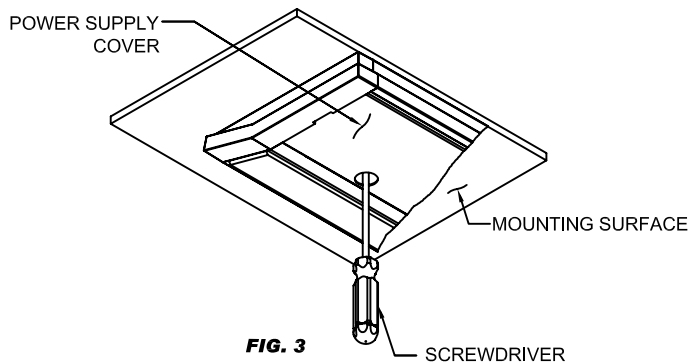
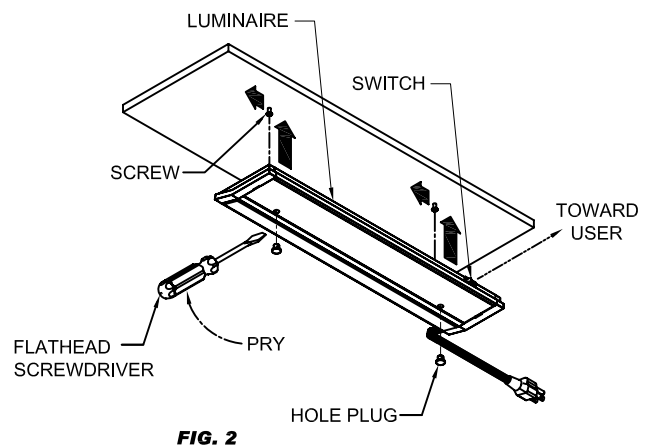
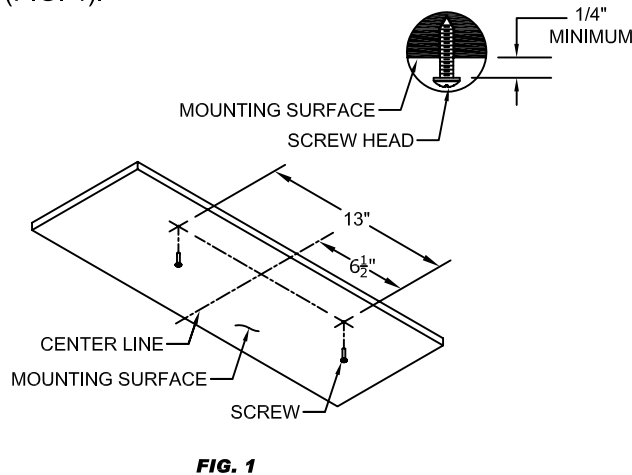
This luminaire is intended for installation in accordance with the National Electrical Code and local regulations. To assure full compliance with local codes and regulations, check with your local electrical inspector before installation. To prevent electrical shock, turn off electricity at fuse box before proceeding.

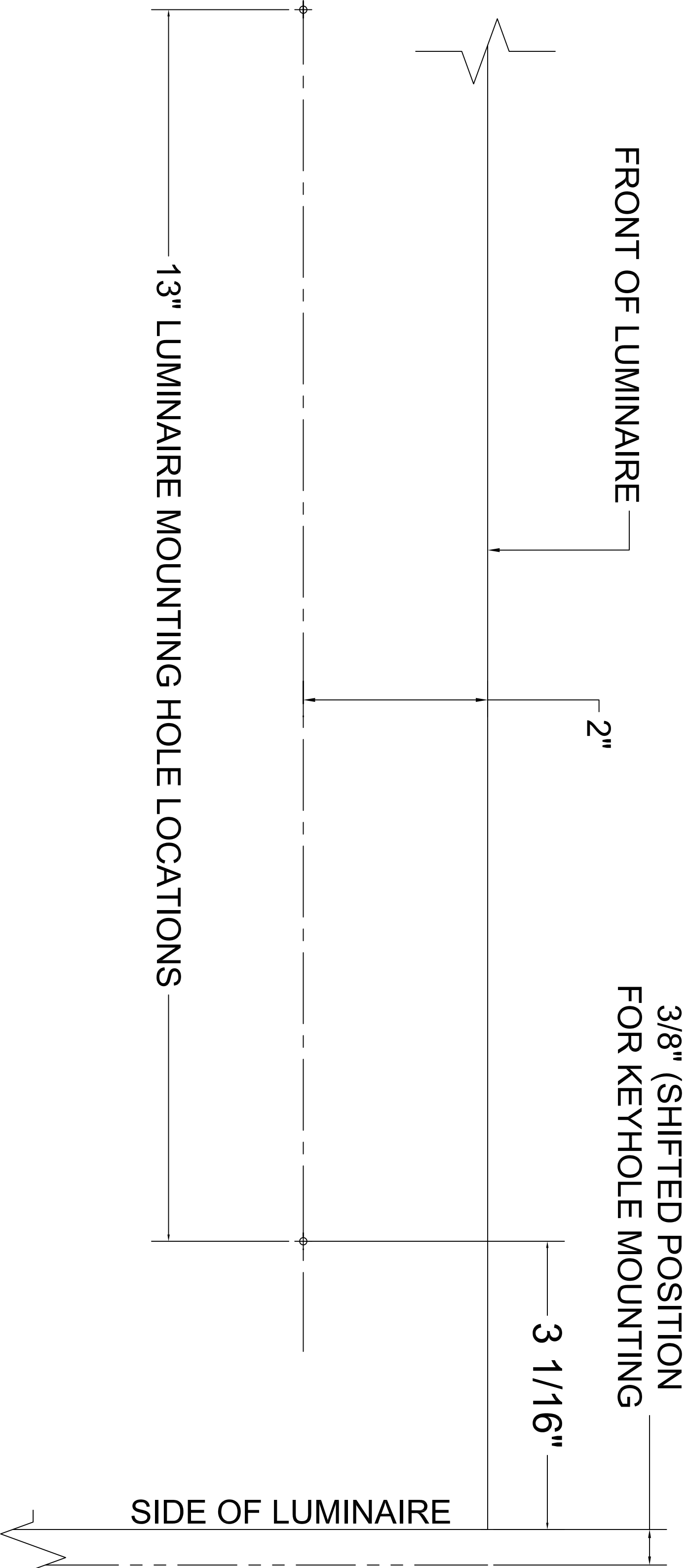
Retain these instructions for maintenance reference

CAUTION-TO PREVENT RISK OF FIRE, DO NOT INSTALL IN A COMPARTMENT SMALLER THAN 12" X 18 1/2" X 12

Installation Instructions:

1. Layout luminaire mounting hole locations as shown (template enclosed). Drive SCREWS provided into MOUNTING SURFACE, if appropriate for MOUNTING SURFACE type. If SCREWS provided are not appropriate use appropriate hardware for MOUNTING SURFACE type (by others). SCREWS provided are #8x1" Cross Recessed Pan Head Sheet Metal Tapping Screw - Type AB - Type IA. Leave 1/4" minimum between bottom of SCREW HEAD and MOUNTING SURFACE (FIG. 1).
2. Remove HOLE PLUGS by gently prying them out using a FLATHEAD SCREWDRIVER (retain HOLE PLUGS)(FIG. 2).
3. Align luminaire's KEYHOLE SLOTS over SCREWS making sure SWITCH is facing outward towards user. Push LUMINAIRE up and pass SCREWS through KEYHOLE SLOTS and shift luminaire to left (FIG. 2).
4. Insert SCREWDRIVER through hole in POWER SUPPLY COVER and tighten down screws to secure luminaire firmly against MOUNTING SURFACE (FIG. 3).
5. Replace HOLE PLUGS into POWER SUPPLY COVER by pushing them back into place (FIG. 4).
6. Make certain SWITCH is in OFF position, plug LUMINAIRE into GROUNDED 120V RECEPTACLE (by others) (FIG. 4).





Read and understand these instructions before installing luminaire :

This luminaire is intended for installation in accordance with the National Electrical Code and local regulations. To assure full compliance with local codes and regulations, check with your local electrical inspector before installation. To prevent electrical shock, turn off electricity at fuse box before proceeding. Retain these instructions for maintenance reference