

Ordering Information

Type	Lamps	Lamp Type	Length	Ballast	Voltage	Options
LSAW	2	28 = 28 Watts 54 = 54 Watts	4 = 4 Foot 8 = 8 Foot 12 = 12 Foot	Blank = Static E = Emergency D = Dimming (54W only)	1 = 120 VAC 2 = 277 VAC 3 = 347 VAC (Static only)	Blank = No Options X4 = 4 Through Wires X5 = 5 Through Wires

Complete ordering instructions below.

Features

- Housing:** 18 gauge die-formed pierced steel. 1/4" Aluminum end caps with access for through wiring. No exposed fasteners or hardware.
- Lamping:** 2-T5, 28 or 54 watt fluorescent lamps per 4' section. By others.
- Reflector:** Precision die-formed, high reflectivity, and low iridescent aluminum.
- Diffuser:** Opal acrylic.

Electrical

Ballast is electronic, meeting A.N.S.I. starting, end of life protection, T.H.D., A sound rating, and end-of-life specifications. 3 Conductor 18 gauge wire. Color-coded quick connectors allow ease of connection for fixture modules. For special circuitry consult factory.

Dimming: Advance Mark X. Use Advance compatible 2 wire control (no extra lead required).

Emergency Battery Pack: 54 Watt: 390-700 Lumens @ 90 min.
28 Watt: 370-520 Lumens @ 90 min.

Finish

Powder coated baked white enamel. Custom colors available, consult factory.

Mountings

Luminaires joined at 1 3/4" wide channel only. Housings are not contiguous. There is a 1" separation between housings on 8' and 12' fixtures (see bottom view drawing above). When fixtures are joined there will be the same 1" separation between housings as on the 8' and 12' luminaires.

Options and Accessories

Dual Switching: Order the DS option for separate row switching. DS option comes complete with the 4 through wire option.

4 and 5 Wire: Order X4 for EM Battery Pack. For non-standard dimming options; order X5 option for Osram or DALI 54 Watt dimming and ESI 28 & 54 Watt.

Digital Dimming: Order X4 option for Lutron HiLume or ECO-10 54 Watt dimming.

Consult Factory for any additional wiring conditions.

Labels

UL, cUL, and I.B.E.W.

Ordering Instructions

Individual Fixtures:

- Order number of MODULES required.
- Order one END SET per MODULE.

Continuous Rows:

- Determine run length
- Order the appropriate number of MODULES for the complete run.
- Order one END SET for each run.

Job Information	Type:
Job Name:	
Cat. No.:	
Lamp(s):	
Notes:	

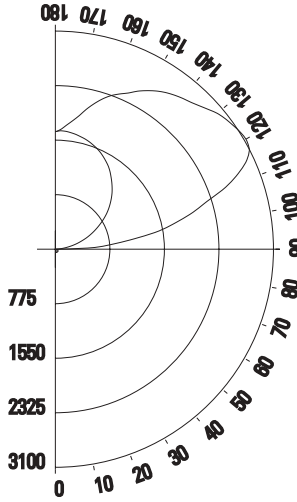
Lightolier a Genlyte Thomas Company www.lightolier.com
631 Airport Road, Fall River, MA 02720 • (508) 679-8131 • Fax (508) 674-4710
We reserve the right to change details of design, materials and finish.
© 2002 Genlyte Thomas Group LLC (Lightolier Division) • A0902

LIGHTOLIER®



Performance

Candlepower Curve



Report No. ITL52310
 Cat No: LSAW254
 Lamps: 2-F54T5
 Lumens: 5000
 Efficiency: 79.2%

Candlepower Summary

ZONE DEG.	CANDLEPOWER				
	0	22	45	67	90
180	1672	1672	1672	1672	1672
175	1766	1760	1741	1711	1682
165	2143	2090	1940	1763	1623
155	2449	2388	2170	1794	1516
145	2720	2619	2275	1805	1352
135	2886	2739	2336	1738	1140
125	3077	2889	2305	1607	893
115	3004	2894	2293	1405	609
105	2025	2015	1845	1197	327
95	819	819	725	587	73
90	19	15	9	1	0
85	23	20	11	3	1
75	33	31	20	11	6
65	41	39	30	22	16
55	47	45	39	32	26
45	49	49	44	39	35
35	49	50	47	44	40
25	49	51	49	47	45
15	49	50	49	47	45
5	44	45	44	43	43
0	42	42	42	42	42

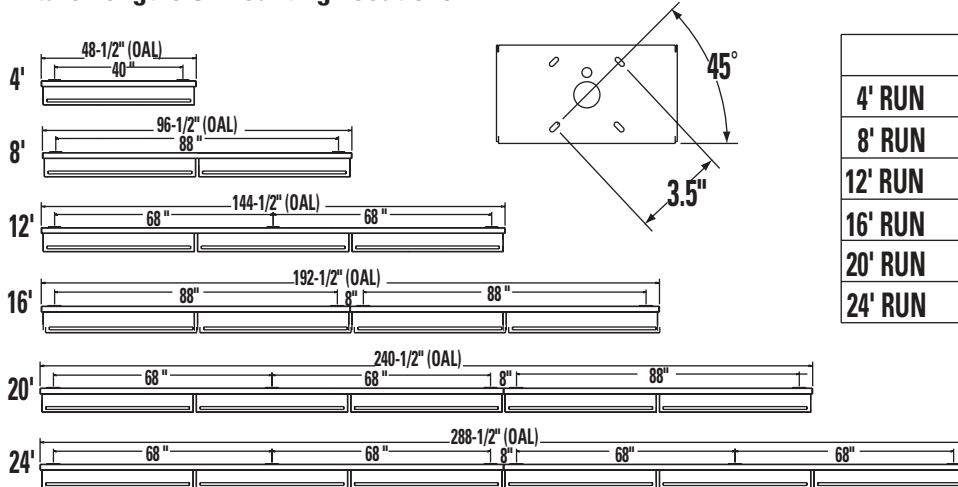
COEFFICIENTS OF UTILIZATION

	% EFFECTIVE CEILING CAVITY REFLECTANCE								
	80			70			50		
	% WALL REFLECTANCE								
	50	30	10	50	30	10	50	30	10
0	76	76	76	65	65	65	45	45	45
1	66	63	60	57	54	52	39	38	36
2	57	53	49	49	46	43	34	32	30
3	50	45	41	43	39	36	30	27	25
4	44	39	34	38	33	30	27	24	21
5	39	33	29	34	29	25	24	20	18
6	35	29	25	30	25	22	21	18	15
7	31	25	21	27	22	19	19	16	13
8	28	22	19	24	19	16	17	14	12
9	25	20	16	22	17	14	15	12	10
10	23	18	14	20	15	12	14	11	9

ZONAL LUMEN SUMMARY

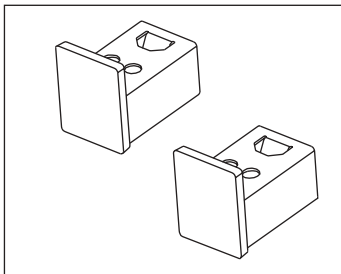
ZONE	LUMENS	% BARELAMP	% LUMINAIRE
0 - 90	149	1.5	1.9
90 - 180	7774	77.7	98.1
0 - 180	7924	79.2	100.0

Fixture Lengths & Mounting Locations



	4'	8'	12'	END
4' RUN	1			1
8' RUN		1		1
12' RUN			1	1
16' RUN		2		1
20' RUN		1	1	1
24' RUN			2	1

Mounting Accessories



Pair of End Caps:
LSAWE

Job Information **Type:**

Lightolier a Genlyte Thomas Company www.lightolier.com
 631 Airport Road, Fall River, MA 02720 • (508) 679-8131 • Fax (508) 674-4710
 We reserve the right to change details of design, materials and finish.
 © 2002 Genlyte Thomas Group LLC (Lightolier Division) • A0902

LIGHTOLIER