

Ordering Information

Family	Lamps	Length	Shielding	Ballast	Voltage	Finish
LSC	1		A			
LSC	1 = 1-Lamp T5	4 = 4-foot 8 = 8-foot 12 = 12-foot	A = Solid	28 = 28W T5 54 = 54W T5 5E = 54W T5 Emergency Pack 2E = 28W T5 Emergency Pack 5D = 54W T5 Dimming	1 = 120v 2 = 277v	AL = Aluminum WH = White

Features

- Housing:** Die-formed 18 gauge CRS. Die-cast end cap mechanically attached with no exposed fasteners.
- Lamp:** One T5 28 or 54 watt (as specified) fluorescent lamp per 4-foot nominal section. Provided by others.
- Reflector:** Patented precision die-formed semi-specular aluminum.

Electrical

Ballast is <10% THD, .98 ballast factor, rapid start. 3 conductor, 18 gauge wire. Color-coded quick connectors allow ease of connection for joiner modules. Power feed is 18 gauge white SJT. For special circuiting consult factory. Factory installed ballast disconnect allows the ballast to be disconnected from and reconnected to incoming power under load without turning the entire circuit off. Dimming - 120/277 VAC 10% dimming level. Emergency Batter Pack - 28 watt: 520 lumens @ 90 minutes, 54 watt: 700 lumens @ 90 minutes.

Mounting

Cable Suspension (not shown) - 4 1/2" (11.43cm) diameter canopy finished white enamel, 1/16" (0.16cm) diameter stainless steel aircraft cable adjustable up to 36" (91.44cm). Draw-tight connector to create hairline seam between joiner modules. May be stanchion mounted on Steelcase Answer®, Montage®, and Segment® Wall Systems.

Finish

Powder coated baked white or aluminum finish. Custom colors available, consult factory.

Options and Accessories

Emergency circuiting, special circuiting - consult factory.

Ordering Instructions

Individual Fixtures:

- Order number of MODULES required.
- Order one POWER FEED END SET per MODULE.

Continuous Runs:

- Determine run length.
- Order the appropriate number of MODULES or the complete run.
- Order one POWER FEED END SET per run.
- Order one CABLE ASSEMBLY per MODULE minus one per run.
- For runs that exceed amperage limits, order the appropriate number of CABLE/ CORD ASSEMBLIES.

Labels

UL, cUL and IBEW

Steelcase Answer®, Montage®, and Segment® Wall Systems are registered trademarks of Steelcase Corporation.

Job Information

Type:

Job Name:

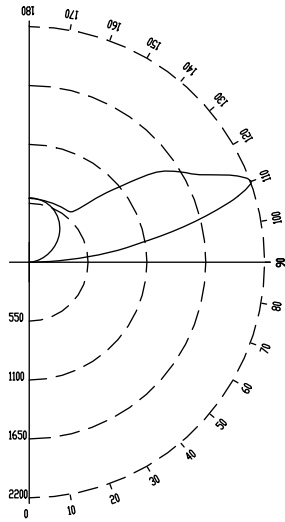
Cat. No.:

Lamp(s):

Notes:

631 Airport Road, Fall River, MA 02720 • (508) 679-8131 • Fax (508) 674-4710
We reserve the right to change details of design, materials and finish.
www.lightolier.com © 2008 Philips Group • C0908

Performance - 54W T5 CANDLEPOWER CURVE



ZONE DEG.	CANDLEPOWER				
	0	22	45	67	90
180	598	598	598	598	598
175	599	599	596	595	595
165	579	582	583	587	591
155	542	547	564	583	593
145	480	497	537	578	598
135	402	431	505	643	783
125	308	359	624	1238	1472
115	208	291	1099	1681	1930
105	107	505	1446	1731	1747
95	30	418	504	512	518
90	0	0	0	0	0
85	0	0	0	0	0
75	0	0	0	0	0
65	0	0	0	0	0
55	0	0	0	0	0
45	0	0	0	0	0
35	0	0	0	0	0
25	0	0	0	0	0
15	0	0	0	0	0
5	0	0	0	0	0
0	0	0	0	0	0

COEFFICIENTS OF UTILIZATION % EFFECTIVE CEILING CAVITY REFLECTANCE

	WALL REFLECTANCE								
	80			70			50		
	70	50	30	70	50	30	50	30	10
0	88	88	88	75	75	75	51	51	51
1	80	76	73	68	65	63	45	43	42
2	73	66	61	62	57	53	39	37	34
3	66	58	52	56	50	45	34	31	29
4	60	51	45	51	44	39	30	27	24
5	55	45	39	47	39	33	27	23	21
6	51	40	34	43	35	29	24	20	18
7	47	36	30	40	31	26	22	18	15
8	43	33	26	37	28	23	19	16	13
9	40	29	23	34	25	20	18	14	12
10	37	27	21	31	23	18	16	13	10

20% FLOOR CAVITY REFLECTANCE

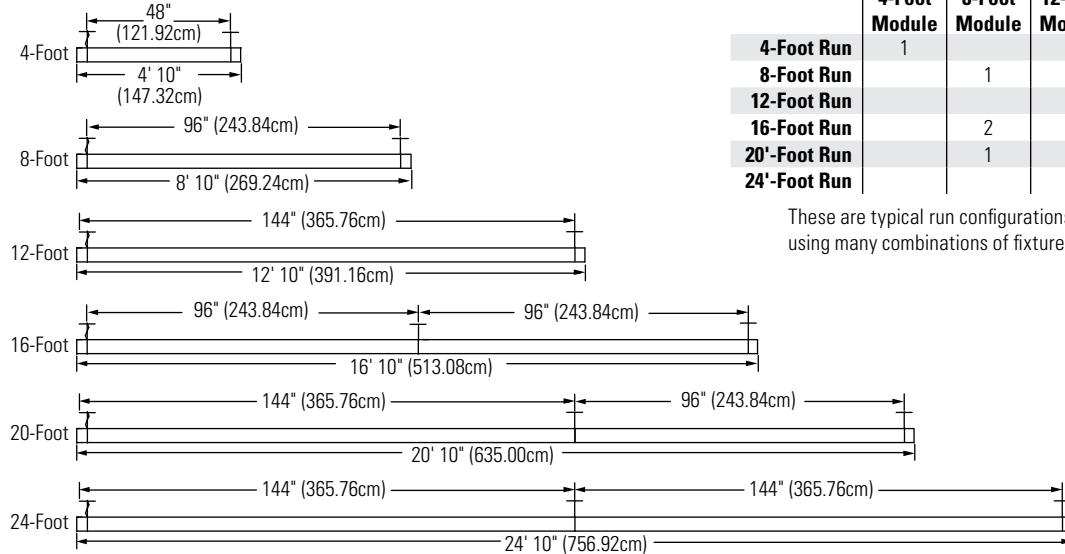
DISTRIBUTION

Zone	Lumens	% Lamp	% Luminaire
0-90	0	0.0	0.0
90-180	4615	92.3	100.0
0-180	4615	92.3	100.0

REPORT NO: ITL49823
CAT NO: LSC14A54
LAMPS: 1 F54T5
LUMENS: 5000
EFFICIENCY: 92.3%

Calculations are for 54 watt T5 lamps, for 28 watt T5 lamps divide by 1.7

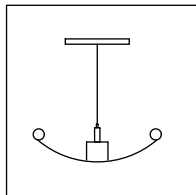
Fixture Lengths & Mounting Locations



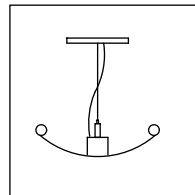
	4-Foot Module	8-Foot Module	12-Foot Module	Power Feed End Set	Cable/Assembly
4-Foot Run	1			1	
8-Foot Run		1		1	
12-Foot Run			1	1	
16-Foot Run		2		1	1
20'-Foot Run		1	1	1	1
24'-Foot Run			2	1	1

These are typical run configurations. Runs can be constructed using many combinations of fixtures.

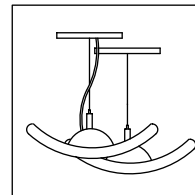
Mounting Accessories



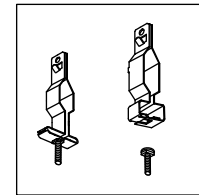
Cable Assembly
Single Cable: LSCC36



Cable/Cord Assembly
Single Cable & Cord: LSCCC36
Single Cable & 4 Wire Cord*: LSCCC36X4



Power Feed End Set
Straight Cord: LSCCE36WH (white)
LSCCE36AL (aluminum)
4 Wire Cord*: LSCCE36WHX4 (white)
LSCCE36ALX4 (aluminum)



Ceiling Grid Kit
CGK
Includes both Standard 1" (2.54cm) Tee Bar Clip & Slot Tee Clip.
Order 1 Kit per mounting point.

* Use for dimming and/or emergency battery packs

Job Information Type:

631 Airport Road, Fall River, MA 02720 • (508) 679-8131 • Fax (508) 674-4710
We reserve the right to change details of design, materials and finish.
www.lightolier.com © 2008 Philips Group • C0908