

Ordering Information

Family	Lamps	Length	Shielding	Ballast	Voltage	Finish
LSC	2		B			
LSC	2 = 2-Lamp T5	4 = 4-foot 8 = 8-foot 12 = 12-foot	B = Perforated	28 = 28W T5 54 = 54W T5 5E = 54W T5 Emergency Pack 2E = 28W T5 Emergency Pack 5D = 54W T5 Dimming	1 = 120v 2 = 277v	AL = Aluminum WH = White

Features

- Housing:** Die-formed 18 gauge CRS. Two 1-1/4" (3.18cm) perforated strips in housing. Holes are staggered, 3/32" (0.24cm) diameter. Die-cast end cap mechanically attached with no exposed fasteners.
- Lamp:** Two T5 28 or 54 watt (as specified) fluorescent lamps per 4-foot nominal section. Provided by others.
- Reflector:** Patented precision die-formed semi-specular aluminum.

Electrical

Ballast is <10% THD, .98 ballast factor, rapid start. 3 conductor, 18 gauge wire. Color-coded quick connectors allow ease of connection for joiner modules. Power feed is 18 gauge white SJT. For special circuiting consult factory. Factory installed ballast disconnect allows the ballast to be disconnected from and reconnected to incoming power under load without turning the entire circuit off. Dimming - 120/277 VAC 10% dimming level. Emergency Batter Pack - 28 watt: 520 lumens @ 90 minutes, 54 watt: 700 lumens @ 90 minutes.

Mounting

Cable Suspension (not shown) - 4 1/2" (11.43cm) diameter canopy finished white enamel, 1/16" (0.16cm) diameter stainless steel aircraft cable adjustable up to 36" (91.44cm). Draw-tight connector to create hairline seam between joiner modules. May be stanchion mounted on Steelcase Answer®, Montage®, and Segment® Wall Systems.

Finish

Powder coated baked white or aluminum finish. Custom colors available, consult factory.

Options and Accessories

Emergency circuiting, special circuiting - consult factory.

Ordering Instructions

Individual Fixtures:

- Order number of MODULES required.
- Order one POWER FEED END SET per MODULE.

Continuous Runs:

- Determine run length.
- Order the appropriate number of MODULES or the complete run.
- Order one POWER FEED END SET per run.
- Order one CABLE ASSEMBLY per MODULE minus one per run.
- For runs that exceed amperage limits, order the appropriate number of CABLE/CORD ASSEMBLIES.

Labels

UL, cUL and IBEW

Steelcase Answer®, Montage®, and Segment® Wall Systems are registered trademarks of Steelcase Corporation.

Job Information

Type:

Job Name:

Cat. No.:

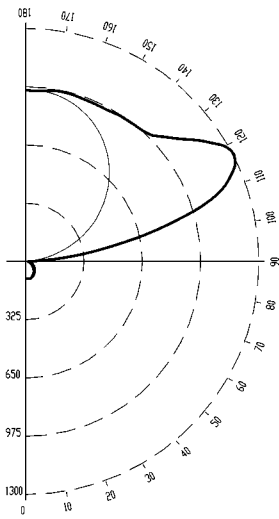
Lamp(s):

Notes:

631 Airport Road, Fall River, MA 02720 • (508) 679-8131 • Fax (508) 674-4710
We reserve the right to change details of design, materials and finish.
www.lightolier.com © 2008 Philips Group • C0908

Performance - Prorated 54W T5

CANDLEPOWER CURVE



REPORT NO: ITL49853
 CAT NO: LSC24B54
 LAMPS: 2 F54T5
 LUMENS: 5000
 EFFICIENCY: 81.0%

CANDLEPOWER

ZONE DEG.	CANDELAS				
	0	22	45	67	90
180	1648	1648	1648	1648	1648
175	1648	1653	1652	1645	1646
165	1598	1621	1650	1662	1667
155	1495	1548	1590	1633	1653
145	1336	1414	1502	1624	1671
135	1131	1228	1422	1621	1717
125	886	1019	1357	1827	2031
115	619	817	1510	2083	2221
105	319	729	1374	1474	1472
95	47	357	341	322	309
90	0	5	14	16	19
85	3	9	16	24	28
75	12	17	31	48	52
65	28	40	53	72	76
55	55	67	81	97	100
45	86	97	105	119	121
35	117	124	131	140	141
25	141	147	153	159	159
15	160	162	167	169	169
5	171	171	169	169	166
0	169	169	169	169	169

COEFFICIENTS OF UTILIZATION

% EFFECTIVE CEILING CAVITY REFLECTANCE

	WALL REFLECTANCE								
	80			70			50		
	70	50	30	70	50	30	50	30	10
0	78	78	78	68	68	68	48	48	48
1	71	68	65	61	59	56	41	40	39
2	65	59	55	56	51	47	36	34	32
3	59	52	46	51	45	40	32	29	27
4	54	46	40	46	40	35	28	25	23
5	49	40	34	42	35	30	25	22	19
6	45	36	30	39	31	26	22	19	17
7	42	32	26	36	28	23	20	17	14
8	38	29	23	33	25	20	18	15	13
9	36	26	21	31	23	18	16	13	11
10	33	24	19	28	21	16	15	12	10

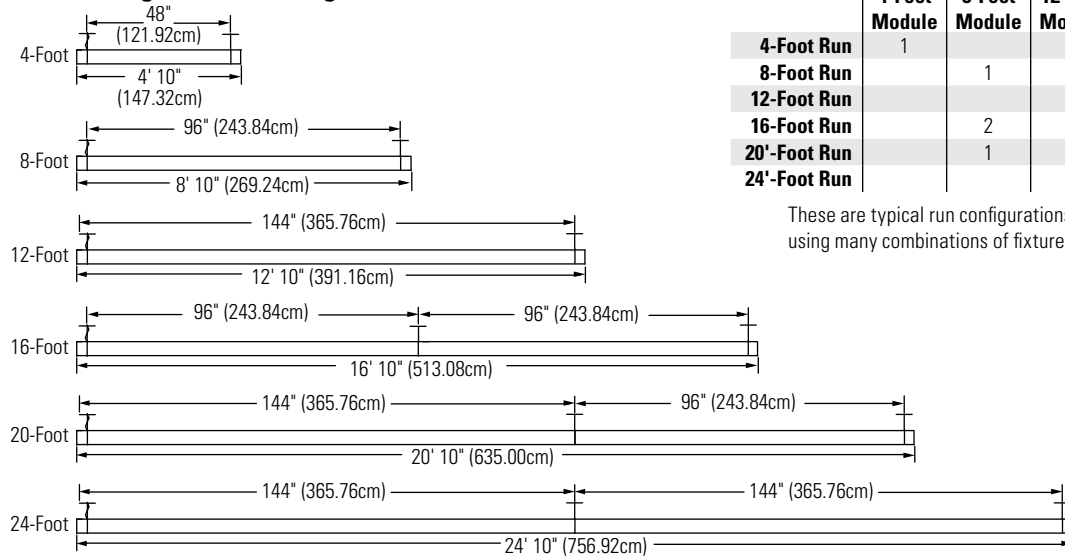
20% FLOOR CAVITY REFLECTANCE

DISTRIBUTION

Zone	Lumens	% Lamp	% Luminaire
0-90	475	4.8	5.9
90-180	7621	76.2	94.1
0-180	8096	81.0	100.0

Calculations are for 54 watt T5 lamps, for 28 watt T5 lamps divide by 1.7.
 Lighting data prorated from 28 watt T5 (ITL49768)

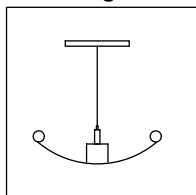
Fixture Lengths & Mounting Locations



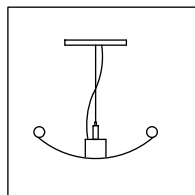
	4-Foot Module	8-Foot Module	12-Foot Module	Power Feed End Set	Cable/Assembly
4-Foot Run	1			1	
8-Foot Run		1		1	
12-Foot Run			1	1	
16-Foot Run		2		1	1
20'-Foot Run		1	1	1	1
24'-Foot Run			2	1	1

These are typical run configurations. Runs can be constructed using many combinations of fixtures.

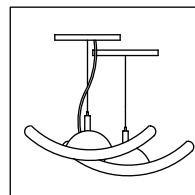
Mounting Accessories



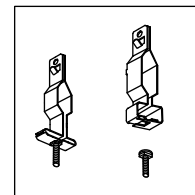
Cable Assembly
 Single Cable: LSCC36



Cable/Cord Assembly
 Single Cable & Cord: LSCCC36
 Single Cable & 4 Wire Cord*: LSCCC36X4



Power Feed End Set
 Straight Cord: LSCEC36WH (white)
 LSCEC36AL (aluminum)
 4 Wire Cord*: LSCEC36WHX4 (white)
 LSCEC36ALX4 (aluminum)



Ceiling Grid Kit
 CGK
 Includes both Standard 1" (2.54cm) Tee Bar Clip & Slot Tee Clip.
 Order 1 Kit per mounting point.

* Use for dimming and/or emergency battery packs

Job Information

Type:

631 Airport Road, Fall River, MA 02720 • (508) 679-8131 • Fax (508) 674-4710
 We reserve the right to change details of design, materials and finish.
 www.lightolier.com © 2008 Philips Group • C0908