

Module Ordering Information

| Style | Series | Type | Lamps | Length | Ballast | Options |
|-------|--------|------|----------------------|--|---|---|
| LP | 1 | B | 3T8 3T8 = 3-F32T8 | 4 = 4-Foot 8 = 8-Foot 12 = 12-Foot | U = Universal Voltage E = Emergency Pack D1 = Dimming 120v D2 = Dimming 277v | Blank = No Options DS = A-B Switch X4 = 4 Wire for Dimming & Switched Emergency |

Complete ordering instructions below.

Features

- Housing:** 18 gauge perforated steel with 41% open hole pattern. Holes are 1/16" (0.16cm) diameter on 3/32" (0.24cm) centers. Die-formed steel end cap with concealed access holes for through wiring. No exposed fasteners or hardware.
- Lamping:** Three T8 32 watt fluorescent lamps per 4-foot section. Center lamp is mounted diagonally. Lamps provided by others.
- Reflector:** Precision die-formed specular aluminum.
- Diffuser:** Opal acrylic diffuser.

Electrical

Ballast is universal voltage, <10% THD, .88 ballast factor, instant start. 3 conductor, 18 gauge wire. Color-coded quick connectors allow ease of connection for joiner modules. For special circuiting consult factory. Cord is 18/3 SJT. Factory installed ballast disconnect allows the ballast to be disconnected from and reconnected to incoming power under load without turning the entire circuit off.

Dimming: 120/277 VAC, 4 wire feed required.

Emergency Battery Pack: 32 watt: 450 lumens @ 90 minutes.

Mountings

Cable Suspension (not shown) - 4-1/2" (11.43cm) diameter flat canopy finished white enamel, 1/16" (0.16cm) diameter stainless steel aircraft cable adjustable up to 36" (91.44cm) without cutting. Overlap connector to provided 46" (116.84cm) of perforated and 2" (5.08cm) solid sections contiguously without the presence of hairline connections (see Bottom View drawing above).

Options

Dual Switching: Order the DS option for separate row switching. DS option automatically ships with the X4 option included.

4 Wire: Order X4 modules for remainder of the run when using dimming and/or switched emergency battery pack modules. Also, order the 4 Wire Cord Power Feed End Sets (LP1EC36X4) when using 4 Wire Modules.

Emergency Circuiting: Special circuiting - consult factory.

Ordering Information

Individual Fixtures:

- Order number of MODULES required.
- Order one POWER FEED END SET per MODULE.

Continuous Rows:

- Determine run length.
- Order the appropriate number of MODULES for the complete run.
- Order one POWER FEED END SET per run.
- Order one CABLE ASSEMBLY per MODULE minus one per run.
- For runs that exceed amperage limits, order the appropriate number of SINGLE CABLE & CORD FEEDS.

Finish

Powder coated baked white enamel. Custom colors available, consult factory.

Labels

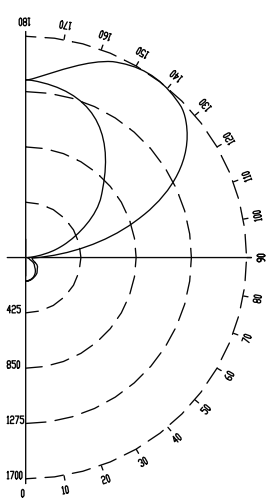
UL, cUL and I.B.E.W.

| Job Information | Type: |
|------------------|-------|
| Job Name: | |
| Cat. No.: | |
| Lamp(s): | |
| Notes: | |

631 Airport Road, Fall River, MA 02720 • (508) 679-8131 • Fax (508) 674-4710
 We reserve the right to change details of design, materials and finish.
 www.lightolier.com © 2008 Philips Group • B0908

Performance

CANDLEPOWER CURVE



REPORT NO: LRL 200-10G
 CAT NO: LP1B3T84U
 LAMPS: 3 F32T8
 LUMENS: 2900
 EFFICIENCY: 75.7%

| ZONE DEG. | CANDLEPOWER | | | | |
|--------------|-------------|----------|------|------|------|
| | 0 | 22 | 45 | 67 | 90 |
| | | CANDELAS | | | |
| 180 | 1365 | 1365 | 1365 | 1365 | 1365 |
| 175 | 1353 | 1364 | 1375 | 1396 | 1400 |
| 165 | 1305 | 1372 | 1435 | 1522 | 1526 |
| 155 | 1217 | 1351 | 1481 | 1625 | 1656 |
| 145 | 1056 | 1268 | 1453 | 1655 | 1703 |
| 135 | 852 | 1115 | 1354 | 1618 | 1672 |
| 125 | 675 | 973 | 1295 | 1550 | 1512 |
| 115 | 450 | 795 | 1045 | 1166 | 1195 |
| 105 | 241 | 547 | 680 | 721 | 727 |
| 95 | 52 | 165 | 199 | 226 | 237 |
| 90 | 17 | 37 | 59 | 89 | 94 |
| 85 | 16 | 21 | 29 | 45 | 50 |
| 75 | 26 | 33 | 39 | 51 | 54 |
| 65 | 35 | 46 | 56 | 69 | 72 |
| 55 | 76 | 81 | 98 | 105 | 110 |
| 45 | 97 | 101 | 108 | 123 | 126 |
| 35 | 130 | 131 | 136 | 144 | 149 |
| 25 | 155 | 155 | 157 | 161 | 162 |
| 15 | 171 | 171 | 173 | 174 | 174 |
| 5 | 180 | 179 | 182 | 180 | 181 |
| 0 | 180 | 180 | 180 | 180 | 180 |

COEFFICIENTS OF UTILIZATION % EFFECTIVE CEILING CAVITY REFLECTANCE

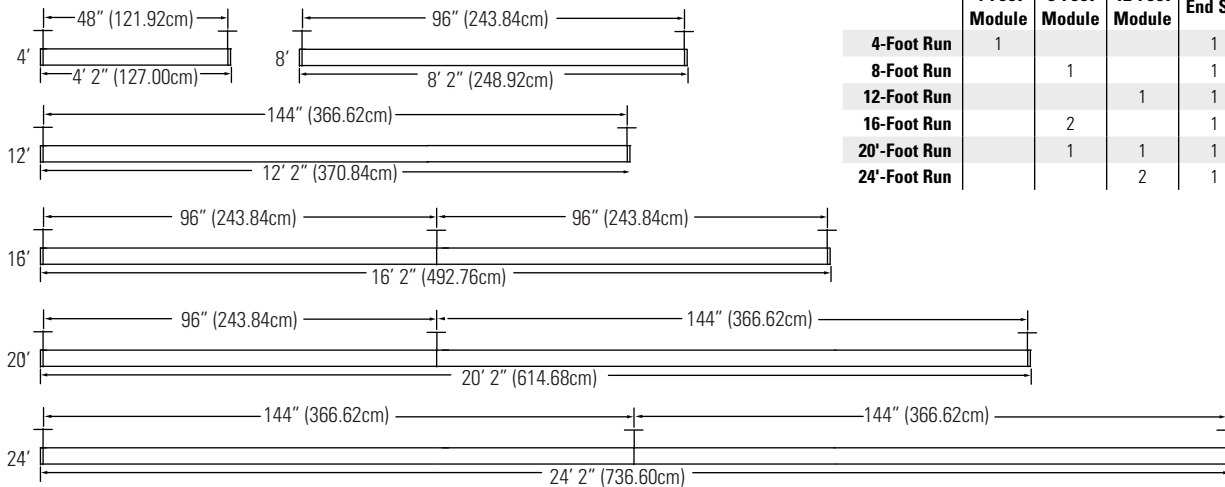
| ROOM CAVITY RATIO | WALL REFLECTANCE | | | | | | | | |
|-------------------|------------------|----|----|----|----|----|----|----|----|
| | 80 | | | 70 | | | 50 | | |
| | 70 | 50 | 30 | 70 | 50 | 30 | 50 | 30 | 10 |
| 0 | 74 | 74 | 74 | 64 | 64 | 64 | 45 | 45 | 45 |
| 1 | 67 | 64 | 61 | 58 | 55 | 53 | 39 | 38 | 37 |
| 2 | 61 | 56 | 51 | 53 | 48 | 45 | 35 | 32 | 31 |
| 3 | 55 | 49 | 44 | 48 | 43 | 38 | 31 | 28 | 26 |
| 4 | 51 | 43 | 38 | 44 | 38 | 33 | 27 | 24 | 22 |
| 5 | 46 | 38 | 32 | 40 | 33 | 29 | 24 | 21 | 18 |
| 6 | 42 | 34 | 28 | 37 | 30 | 25 | 21 | 18 | 16 |
| 7 | 39 | 30 | 25 | 34 | 27 | 22 | 19 | 16 | 14 |
| 8 | 36 | 27 | 22 | 31 | 24 | 19 | 17 | 14 | 12 |
| 9 | 33 | 25 | 19 | 29 | 22 | 17 | 16 | 13 | 11 |
| 10 | 31 | 22 | 17 | 27 | 20 | 15 | 14 | 11 | 9 |

20% FLOOR CAVITY REFLECTANCE

DISTRIBUTION

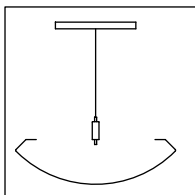
| Zone | Lumens | % Lamp | % Luminaire |
|--------|--------|--------|-------------|
| 0-90 | 530 | 6.1 | 8.0 |
| 90-180 | 6055 | 69.6 | 92.0 |
| 0-180 | 6585 | 75.7 | 100.0 |

Fixture Lengths & Mounting Locations

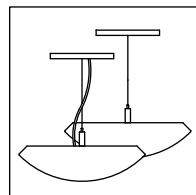


| | 4-Foot Module | 8-Foot Module | 12-Foot Module | End Set | Cable/Joiner |
|--------------|---------------|---------------|----------------|---------|--------------|
| 4-Foot Run | 1 | | | 1 | |
| 8-Foot Run | | 1 | | 1 | |
| 12-Foot Run | | | 1 | 1 | |
| 16-Foot Run | | 2 | | 1 | 1 |
| 20'-Foot Run | | 1 | 1 | 1 | 1 |
| 24'-Foot Run | | | 2 | 1 | 1 |

Mounting Accessories

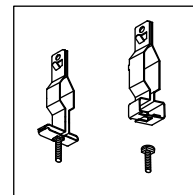


Cable/Joiner Assembly
 Standard Cable Length is 36" (91.44cm)
 Single Cable: **LP1C36**
 Single Cable & Cord: **LP1CC36**
 Single Cable & 4 Wire Cord: **LP1CC36X4**



Power Feed End Set
 Standard Cable Length is 36" (91.44cm)
 Straight Cord: **LP1EC36** 4 Wire Cord*: **LP1EC36X4**

* use for dimming and/or emergency battery packs



Ceiling Grid Kit CGK
 Includes both Standard 1" (2.54cm)
 Tee Bar Clip & Slot Tee Clip

Job Information Type:

631 Airport Road, Fall River, MA 02720 • (508) 679-8131 • Fax (508) 674-4710
 We reserve the right to change details of design, materials and finish.
 www.lightolier.com © 2008 Philips Group • B0908