

Ordering Information

Family	Lamps	Length	Shielding	Ballast	Voltage	Finish
LSB	2 2 = 2-Lamp T5	4 = 4-Foot 8 = 8-Foot	C C = Parabolic Louver	28 = 28W T5 54 = 54W T5 5E = 54W T5 Emergency Pack 2E = 28W T5 Emergency Pack 5D = 54W T5 Dimming	1 = 120 volt 2 = 277 volt	AL = Aluminum WH = White

Complete ordering instructions below.

Features

- Housing:** Extruded aluminum. Die-cast end cap mechanically attached with no exposed fasteners or hardware.
- Lamping:** Two T5, 28 or 54 watt (as specified) fluorescent lamps per 4-foot nominal section. Provided by others.
- Reflector:** Precision die-formed semi-specular aluminum.
- Louvers:** Parabolic louvers, low-iridescent semi-specular anodized aluminum, 41° shielding lengthwise, blades are 1-1/3" (3.39cm) high and 2" (5.08cm) O.C. Louver frame is extruded aluminum and finished to match housing.

Electrical

Ballast is <10% THD, .98 ballast factor, pre-heat start. 18 gauge wire. Color-coded quick connectors allow ease of connection for joiner modules. Power feed is 18 gauge white SJT. For special circuiting consult factory. Factory installed ballast disconnect allows the ballast to be disconnected from and reconnected to incoming power under load without turning the entire circuit off.

Dimming: 120/277 VAC 1% dimming level, 4 wire feed required.

Emergency Battery Pack: 28 watt: 520 lumens @ 90 minutes, 54 watt: 700 lumens @ 90 minutes, 4 wire feed required.

Mountings

Cable suspension (not shown) - 4-1/2" (11.43cm) diameter canopy finished white enamel, 1/16" (0.16cm) diameter stainless steel aircraft cable adjustable up to 36" (91.44cm). Dual-screw draw-tight connector to create hairline seam between joiner modules.

Finish

Powder coated baked white or aluminum finish. Custom colors available, consult factory.

Options and Accessories

Emergency Circuiting; special circuiting; X, T & L joiner blocks - consult factory.

Labels

UL, cUL and I.B.E.W.

Ordering Instructions

Individual Fixtures:

- Order number of MODULES required.
- Order one POWER FEED END SET per MODULE.

Continuous Rows:

- Determine run length.
- Order the appropriate number of MODULES for the complete run.
- Order one POWER FEED END SET per run.
- Order one CABLE ASSEMBLY per MODULE minus one per run.
- For runs that exceed amperage limits, order the appropriate number of CABLE/CORD ASSEMBLIES.

Job Information

Type:

Job Name:

Cat. No.:

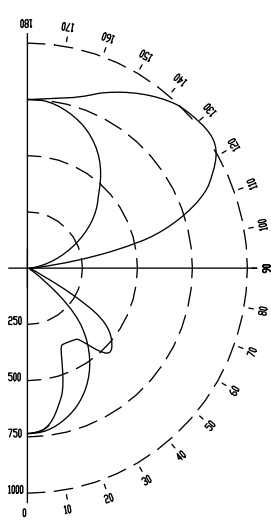
Lamp(s):

Notes:

631 Airport Road, Fall River, MA 02720 • (508) 679-8131 • Fax (508) 674-4710
We reserve the right to change details of design, materials and finish.
www.lightolier.com © 2008 Philips Group • B0908

Performance

CANDLEPOWER CURVE



ZONE DEG.	CANDLEPOWER					
	0	22	45	67	90	
		CANDELAS				
180	749	749	749	749	749	
175	748	746	752	752	755	
165	717	729	755	781	784	
155	661	695	757	837	861	
145	574	641	762	897	940	
135	457	563	744	947	1002	
125	356	500	758	1011	1022	
115	226	428	710	869	918	
105	113	339	556	621	629	
95	28	119	80	79	62	
90	0	0	0	0	0	
85	1	1	5	3	3	
75	2	7	8	10	10	
65	3	8	14	47	53	
55	63	89	222	382	415	
45	329	257	344	462	529	
35	493	406	323	365	386	
25	610	566	469	386	375	
15	688	676	650	610	594	
5	731	730	732	725	725	
0	735	735	735	735	735	

COEFFICIENTS OF UTILIZATION % EFFECTIVE CEILING CAVITY REFLECTANCE

	WALL REFLECTANCE								
	80			70			50		
	70	50	30	70	50	30	50	30	10
0	85	85	85	75	75	75	58	58	58
1	78	74	72	69	67	64	52	50	49
2	71	66	62	64	59	56	47	44	42
3	66	59	53	58	53	48	42	39	36
4	60	52	46	54	47	42	37	34	31
5	55	47	41	49	42	37	34	30	27
6	51	42	36	46	38	33	31	27	24
7	47	37	31	42	34	29	27	23	21
8	43	34	28	39	31	25	25	21	18
9	40	31	25	36	28	23	22	19	16
10	37	28	22	34	25	21	21	17	14

20% FLOOR CAVITY REFLECTANCE

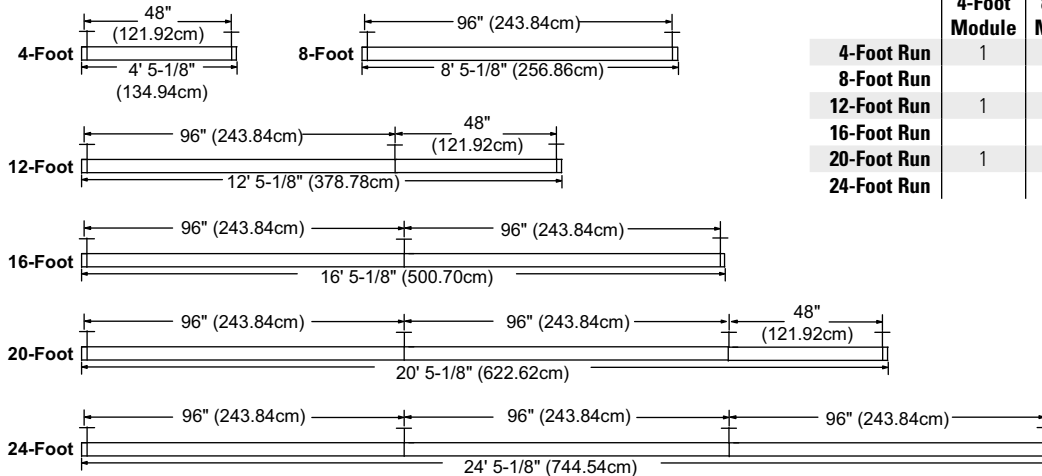
DISTRIBUTION

Zone	Lumens	% Lamp	% Luminaire
0-90	1248	21.5	25.8
90-180	3587	61.8	74.2
0-180	4834	83.3	100.0

REPORT NO: LRL 300-1H
CAT NO: LSB24C28
LAMPS: 2 F28T5
LUMENS: 2900
EFFICIENCY: 83.3%

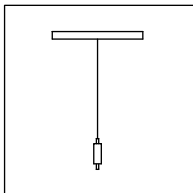
Calculations are for 28 watt T5 lamps, for 54 watt T5 lamps multiply by 1.7

Fixture Lengths & Mounting Locations

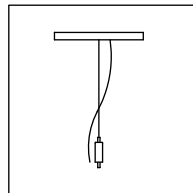


	4-Foot Module	8-Foot Module	Cable/Assembly	Power Feed End Set
4-Foot Run	1			1
8-Foot Run		1		1
12-Foot Run	1	1	1	1
16-Foot Run		2	1	1
20-Foot Run	1	2	2	1
24-Foot Run		3	2	1

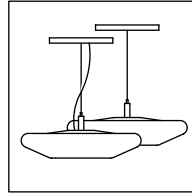
Mounting Accessories



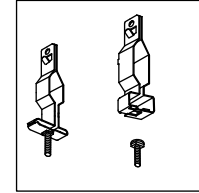
Cable Assembly
Single Cable: **LSBC36**



Cable/Cord Assembly
Single Cable & Cord: **LSBCC36**
Single Cable & 4 Wire Cord*: **LSBCC36X4**



Power Feed End Set
Straight Cord: **LSBEC36WH** (white)
LSBEC36AL (aluminum)
4 Wire Cord*: **LSBEC36WHX4** (white)
LSBEC36ALX4 (aluminum)



Ceiling Grid Kit
CGK
Includes both Standard 1" (2.54cm) Tee Bar Clip & Slot Tee Clip

*Use for dimming, switching, and emergency battery packs.

Job Information	Type:
-----------------	-------

631 Airport Road, Fall River, MA 02720 • (508) 679-8131 • Fax (508) 674-4710
We reserve the right to change details of design, materials and finish.
www.lightolier.com © 2008 Philips Group • B0908