

Module Ordering Information

Style	Series	Type	Lamps	Length	Ballast	Options
LP	2	B	3T8 3T8 = 3-F32T8	4 = 4-Foot 8 = 8-Foot	U = Universal Voltage E = Emergency Pack D1 = Dimming 120v D2 = Dimming 277v	Blank = No Options DS = A-B Switch X4 = 4 Wire for Dimming & Switched Emergency

Complete ordering instructions below.

Features

- Housing:** 18 gauge perforated steel with 51% open hole pattern. Holes are 1/8" (0.32cm) diameter on 5/32" (0.40cm) centers. Die-formed steel end cap with concealed access holes for through wiring. No exposed fasteners or hardware.
- Lamping:** Three T8 32 watt fluorescent lamps per 4-foot section. Provided by others.
- Reflector:** Precision die-formed specular aluminum.
- Diffuser:** Opal acrylic diffuser.

Electrical

Ballast is universal voltage, <10% THD, .88 ballast factor, instant start. 3 conductor, 18 gauge wire. Color-coded quick connectors allow ease of connection for joiner modules. For special circuiting consult factory. Cord is 18/3 SJT. Factory installed ballast disconnect allows the ballast to be disconnected from and reconnected to incoming power under load without turning the entire circuit off.

Dimming: 120/277 VAC, 4 wire feed required.

Emergency Battery Pack: 32 watt: 450 lumens @ 90 minutes.

Mountings

Cable Suspension (not shown) - 4-1/2" (11.43cm) diameter flat canopy finished white enamel, 1/16" (0.16cm) diameter stainless steel aircraft cable adjustable up to 36" (91.44cm) without cutting. Overlap connector to provide 46" (116.84cm) of perforated and 2" (5.08cm) solid sections contiguously without the presence of hairline connections. (See Bottom View drawing above)

Options

Dual Switching: Order the DS option for separate row switching. DS option automatically ships with the X4 option included.

4 Wire: Order X4 modules for remainder of the run when using dimming and/or switched emergency battery pack modules. Also, order the 4 Wire Cord Power Feed End Sets (LP2EC36X4) when using 4 Wire Modules.

Emergency Circuiting: Special circuiting - consult factory.

Ordering Information

Individual Fixtures:

- Order number of MODULES required.
- Order one POWER FEED END SET per MODULE.

Continuous Rows:

- Determine run length.
- Order the appropriate number of MODULES for the complete run.
- Order one POWER FEED END SET per run.
- Order one CABLE ASSEMBLY per MODULE minus one per run.
- For runs that exceed amperage limits, order the appropriate number of SINGLE CABLE & CORD FEEDS.

Finish

Powder coated baked white enamel. Custom colors available, consult factory.

Labels

UL, cUL and I.B.E.W.

Job Information

Type:

Job Name:

Cat. No.:

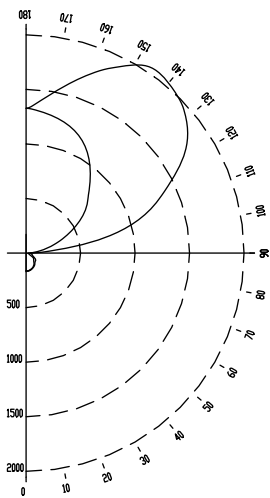
Lamp(s):

Notes:

631 Airport Road, Fall River, MA 02720 • (508) 679-8131 • Fax (508) 674-4710
We reserve the right to change details of design, materials and finish.
www.lightolier.com © 2008 Philips Group • B0908

Performance

CANDLEPOWER CURVE



REPORT NO: LRL 200-10B
 CAT NO: LP2B3T84U
 LAMPS: 3 F32T8
 LUMENS: 2900
 EFFICIENCY: 85.0%

ZONE DEG.	CANDLEPOWER				
	22	45	67	90	
	CANDELAS				
180	1327	1327	1327	1327	1327
175	1307	1326	1359	1427	1395
165	1258	1357	1501	1590	1620
155	1171	1354	1629	1794	1873
145	1016	1281	1704	1943	2055
135	816	1138	1671	1911	1991
125	656	1039	1587	1796	1807
115	440	851	1240	1342	1430
105	233	582	907	972	1004
95	70	226	268	247	262
90	21	22	33	36	41
85	8	24	32	40	44
75	26	32	44	55	58
65	36	43	57	67	71
55	84	84	98	108	108
45	98	99	103	114	116
35	126	125	129	134	136
25	145	145	147	148	150
15	159	157	160	80	161
5	166	164	166	165	166
0	164	164	164	164	164

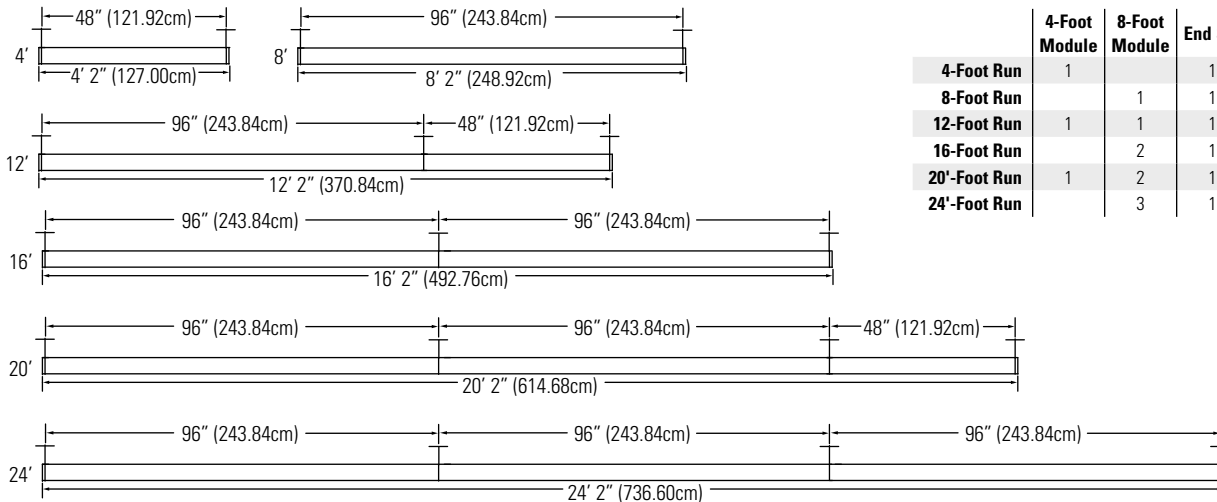
COEFFICIENTS OF UTILIZATION % EFFECTIVE CEILING CAVITY REFLECTANCE

ROOM CAVITY RATIO	WALL REFLECTANCE						20% FLOOR CAVITY REFLECTANCE		
	80			70			50		
	70	50	30	70	50	30	50	30	10
0	82	82	82	71	71	71	50	50	50
1	75	71	68	65	62	59	44	42	41
2	68	62	58	59	54	50	38	36	34
3	62	55	49	53	47	43	34	31	28
4	57	48	42	49	42	37	30	27	24
5	52	43	36	45	37	32	27	23	20
6	47	38	32	41	33	28	24	20	17
7	44	34	28	38	30	24	21	18	15
8	40	30	24	35	27	21	19	16	13
9	37	28	22	32	24	19	17	14	12
10	35	25	19	30	22	17	16	12	10

DISTRIBUTION

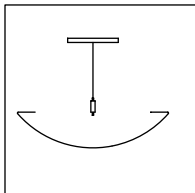
Zone	Lumens	% Lamp	% Luminaire
0-90	508	5.8	6.9
90-180	6891	79.2	93.1
0-180	7399	85.0	100.0

Fixture Lengths & Mounting Locations

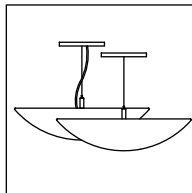


	4-Foot Module	8-Foot Module	End Set	Cable/Joiner
4-Foot Run	1		1	
8-Foot Run		1	1	
12-Foot Run	1	1	1	1
16-Foot Run		2	1	1
20-Foot Run	1	2	1	2
24-Foot Run		3	1	2

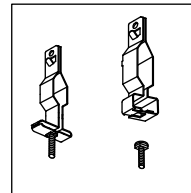
Mounting Accessories



Cable/Joiner Assembly
 Standard Cable Length is 36" (91.44cm)
 Single Cable: **LP2C36**
 Single Cable & Cord: **LP2CC36**
 Single Cable & 4 Wire Cord: **LP2CC36X4**



Power Feed End Set
 Standard Cable Length is 36" (91.44cm)
 Straight Cord: **LP2EC36**
 4 Wire Cord*: **LP2EC36X4**
 * use for dimming and/or emergency battery packs



Ceiling Grid Kit CGK
 Includes both Standard 1" (2.54cm) Tee Bar Clip & Slot Tee Clip

Job Information Type:

631 Airport Road, Fall River, MA 02720 • (508) 679-8131 • Fax (508) 674-4710
 We reserve the right to change details of design, materials and finish.
 www.lightolier.com © 2008 Philips Group • B0908