

### Module Ordering Information

Style	Series	Type	Lamps	Length	Ballast	Options
LP	1	A	2T8 2T8 = 2-F32T8	4 = 4-Foot 8 = 8-Foot 12 = 12-Foot	U = Universal Voltage E = Emergency Pack D1 = Dimming 120v D2 = Dimming 277v	Blank = No Options DS = A-B Switch X4 = 4 Wire for Dimming & Switched Emergency

Complete ordering instructions below.

### Features

- Housing:** 18 gauge steel. Die-formed steel end cap with concealed access holes for through wiring. No exposed fasteners or hardware.
- Lamping:** Two T8 32 watt fluorescent lamps per 4-foot section. Provided by others.
- Reflector:** Precision die-formed CRS painted high reflectance white.

### Electrical

Ballast is universal voltage, <10% THD, .88 ballast factor, instant start. 3 conductor, 18 gauge wire. Color-coded quick connectors allow ease of connection for joiner modules. For special circuiting consult factory. Cord is 18/3 SJT. Factory installed ballast disconnect allows the ballast to be disconnected from and reconnected to incoming power under load without turning the entire circuit off.

**Dimming:** 120/277 VAC, 4 wire feed required.

**Emergency Battery Pack:** 32 watt: 450 lumens @ 90 minutes.

### Mountings

**Cable Suspension (not shown)** - 4-1/2" (11.43cm) diameter flat canopy finished white enamel, 1/16" (0.16cm) diameter stainless steel aircraft cable adjustable up to 36" (91.44cm) without cutting.

### Options

**Dual Switching:** Order the DS option for separate row switching. DS option automatically ships with the X4 option included.

**4 Wire:** Order X4 modules for remainder of the run when using dimming and/or switched emergency battery pack modules. Also, order the 4 Wire Cord Power Feed End Sets (LP1EC36X4) when using 4 Wire Modules.

**Emergency Circuiting:** Special circuiting - consult factory.

### Ordering Information

#### Individual Fixtures:

- Order number of MODULES required.
- Order one POWER FEED END SET per MODULE.

#### Continuous Rows:

- Determine run length.
- Order the appropriate number of MODULES for the complete run.
- Order one POWER FEED END SET per run.
- Order one CABLE ASSEMBLY per MODULE minus one per run.
- For runs that exceed amperage limits, order the appropriate number of SINGLE CABLE & CORD FEEDS.

### Finish

Powder coated baked white enamel. Custom colors available, consult factory.

### Labels

UL, cUL and I.B.E.W.

### Job Information

### Type:

**Job Name:**

**Cat. No.:**

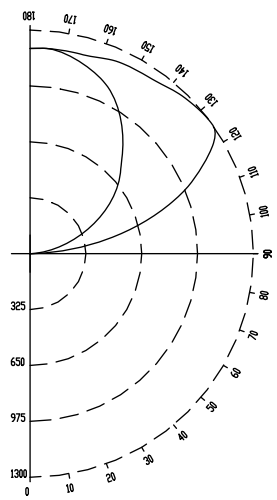
**Lamp(s):**

**Notes:**

631 Airport Road, Fall River, MA 02720 • (508) 679-8131 • Fax (508) 674-4710  
 We reserve the right to change details of design, materials and finish.  
 www.lightolier.com © 2008 Philips Group • B0908

### Performance

#### CANDLEPOWER CURVE



REPORT NO: LRL 300-1X  
 CAT NO: LP1A2T84U  
 LAMPS: 2 F32T8  
 LUMENS: 2900  
 EFFICIENCY: 85.7%

ZONE DEG.	CANDLEPOWER				
	22	45	67	90	
	CANDELAS				
180	1193	1193	1193	1193	1193
175	1196	1189	1196	1199	1197
165	1149	1159	1179	1203	1197
155	1070	1098	1146	1213	1228
145	927	997	1083	1205	1239
135	753	856	1006	1224	1278
125	601	748	1015	1293	1300
115	405	648	947	1054	1065
105	212	514	609	634	666
95	49	189	191	193	194
90	9	27	12	12	13
85	0	0	0	0	0
75	0	0	0	0	0
65	0	0	0	0	0
55	0	0	0	0	0
45	0	0	0	0	0
35	0	0	0	0	0
25	0	0	0	0	0
15	0	0	0	0	0
5	0	0	0	0	0
0	0	0	0	0	0

#### COEFFICIENTS OF UTILIZATION

% EFFECTIVE CEILING CAVITY REFLECTANCE

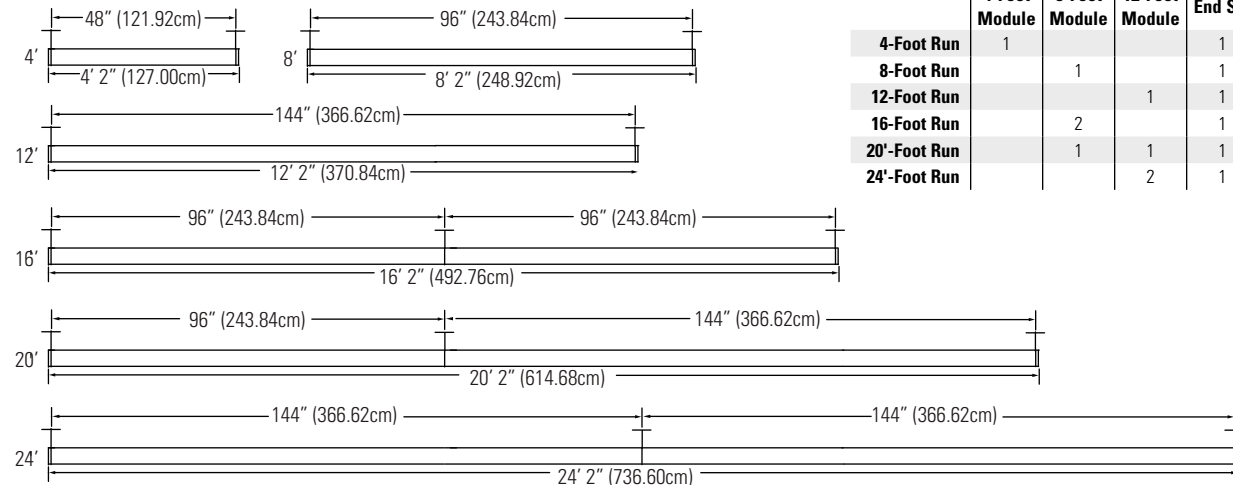
ROOM CAVITY RATIO	WALL REFLECTANCE								
	80			70			50		
	70	50	30	70	50	30	50	30	10
0	82	82	82	70	70	70	48	48	48
1	74	71	68	63	61	58	41	40	39
2	68	62	57	58	53	49	36	34	32
3	62	54	49	52	46	42	32	29	27
4	56	48	42	48	41	36	28	25	23
5	51	42	36	44	36	31	25	22	19
6	47	37	31	40	32	27	22	19	16
7	43	33	27	37	29	24	20	16	14
8	40	30	24	34	26	21	18	15	12
9	37	27	21	31	23	18	16	13	11
10	34	25	19	29	21	17	15	12	10

20% FLOOR CAVITY REFLECTANCE

#### DISTRIBUTION

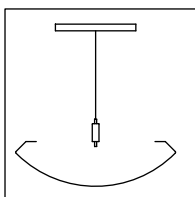
Zone	Lumens	% Lamp	% Luminaire
0-90	0	0.0	0.0
90-180	4969	85.7	100.0
0-180	4969	85.7	100.0

### Fixture Lengths & Mounting Locations

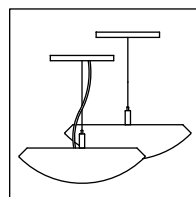


	4-Foot Module	8-Foot Module	12-Foot Module	End Set	Cable/Joiner
4-Foot Run	1			1	
8-Foot Run		1		1	
12-Foot Run			1	1	
16-Foot Run		2		1	1
20-Foot Run		1	1	1	1
24-Foot Run			2	1	1

### Mounting Accessories

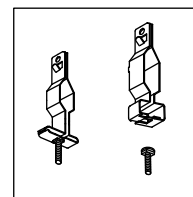


**Cable/Joiner Assembly**  
 Standard Cable Length is 36" (91.44cm)  
 Single Cable: **LP1C36**  
 Single Cable & Cord: **LP1CC36**  
 Single Cable & 4 Wire Cord: **LP1CC36X4**



**Power Feed End Set**  
 Standard Cable Length is 36" (91.44cm)  
 Straight Cord: **LP1EC36** 4 Wire Cord\*: **LP1EC36X4**

\* use for dimming and/or emergency battery packs



**Ceiling Grid Kit CGK**  
 Includes both Standard 1" (2.54cm)  
 Tee Bar Clip & Slot Tee Clip

### Job Information Type:

631 Airport Road, Fall River, MA 02720 • (508) 679-8131 • Fax (508) 674-4710  
 We reserve the right to change details of design, materials and finish.  
 www.lightolier.com © 2008 Philips Group • B0908