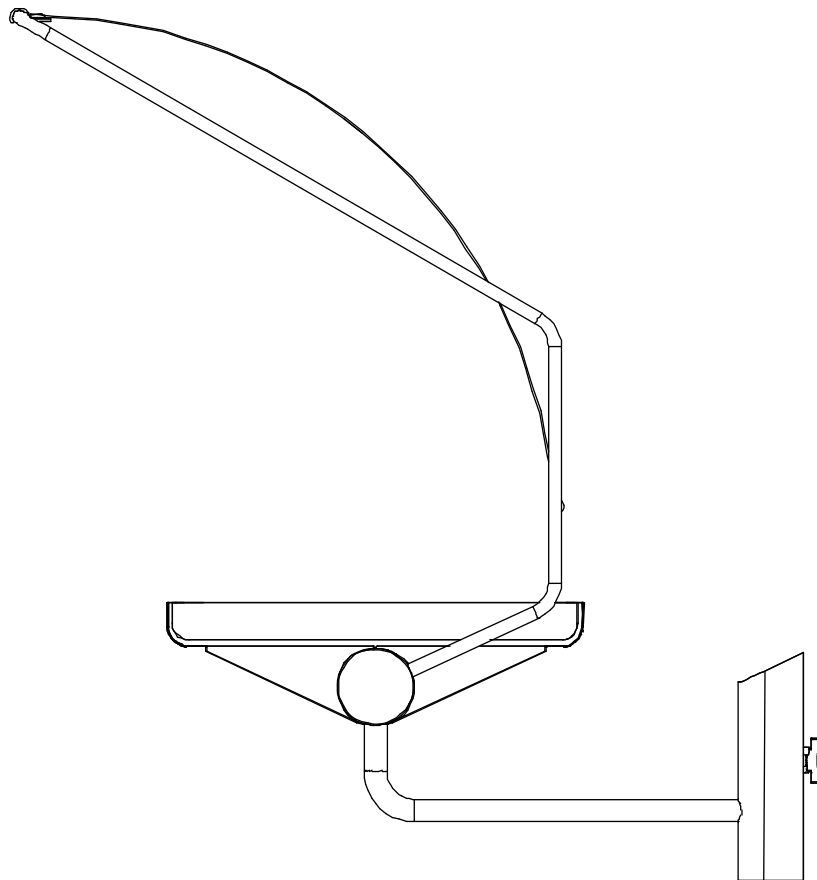


READ AND UNDERSTAND THESE INSTRUCTIONS BEFORE PROCEEDING.
RETAIN THESE INSTRUCTIONS FOR MAINTENANCE REFERENCE.

This fixture is intended for installation in accordance with the National Electrical Code and local regulations. To assure full compliance with local codes and regulations, check with your local electrical inspector before installation. To prevent electrical shock, turn off electricity at electrical panel before proceeding.

DO NOT INSTALL THIS SYSTEM IN A WET OR DAMP LOCATION.
DO NOT ENERGIZE ANYTHING OTHER THAN THE FIXTURES IN THE SYSTEM.

CONTRACTOR IS RESPONSIBLE FOR ADEQUATELY REINFORCING CEILING OR WALL TO SUPPORT FIXTURE WEIGHT.

**STEEL CASE PANEL ONLY**

631 Airport Road, Fall River, MA 02720 • (508) 679-8131 • Fax (508) 674-4710
We reserve the right to change details of design, materials and finish.
www.lightolier.com © 2008 Philips Group • B1108

Step 1. Installing the Base Set to the Fixture

- A. Insert the end casting into the main casting of the fixture. (Fig. 1)
- B. Tighten the setscrew to lock the base in place.

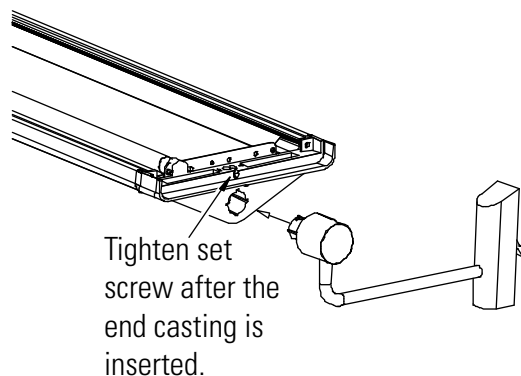


Figure 1

Step 2. Installing the Back Spline to the Beam

- A. Insert the T-Nut into the groove on the beam.
- B. Screw the back spline into the T-Nut. (Fig. 2)

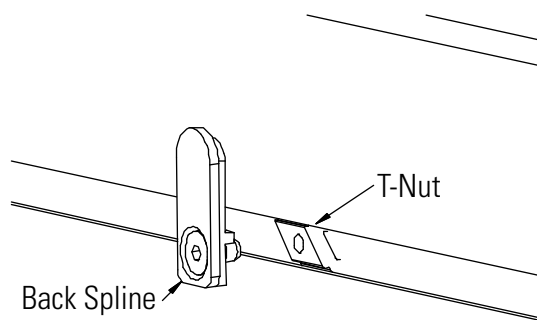
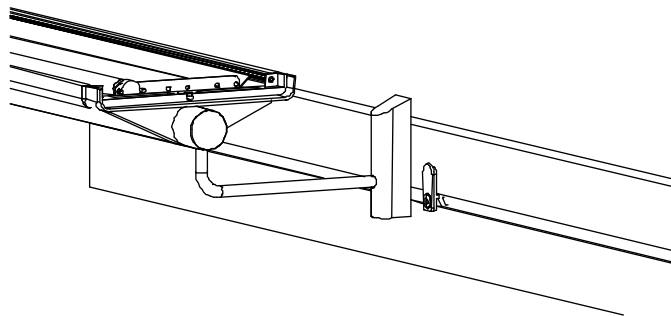


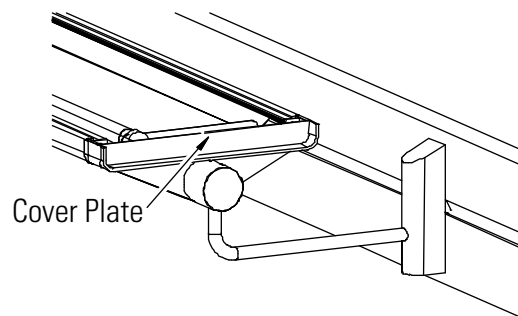
Figure 2

Step 3. Installing the Fixture and Base Set to the Back Spline

- A. Lift the fixture so the back spline is aligned with the lower part of the base set with the larger opening.
- B. Push the base so it is flushed with the beam and slide it down so the back spline engages into the base. (Fig. 3)
- C. Push fixtures together.

**Figure 3****Step 4. Installing the Cover Plate**

- A. Slide the cover plate into the groove on the fixtures main casting. Secure the plate with two screws provided. (Fig. 4)

**Figure 4**