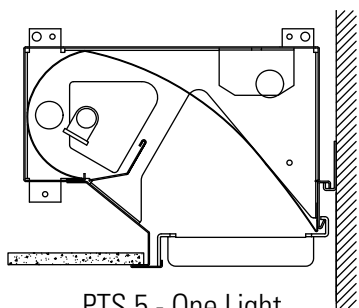


READ AND UNDERSTAND THESE INSTRUCTIONS BEFORE PROCEEDING.
RETAIN THESE INSTRUCTIONS FOR MAINTENANCE REFERENCE.

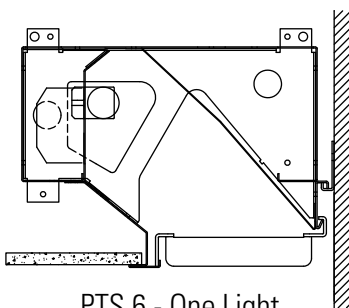
This fixture is intended for installation in accordance with the National Electrical Code and local regulations. To assure full compliance with local codes and regulations, check with your local electrical inspector before installation. To prevent electrical shock, turn off electricity at electrical panel before proceeding.

DO NOT INSTALL THIS SYSTEM IN A WET OR DAMP LOCATION.
DO NOT ENERGIZE ANYTHING OTHER THAN THE FIXTURES IN THE SYSTEM.

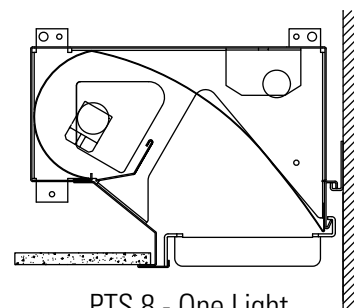
CONTRACTOR IS RESPONSIBLE FOR ADEQUATELY REINFORCING WALL AND CEILING TO SUPPORT FIXTURE WEIGHT.



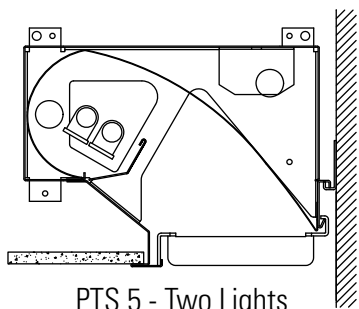
PTS 5 - One Light



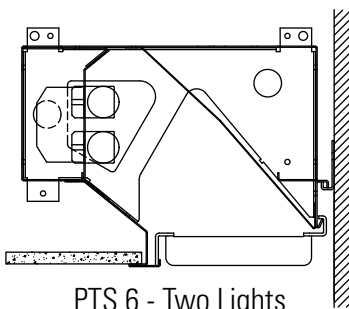
PTS 6 - One Light



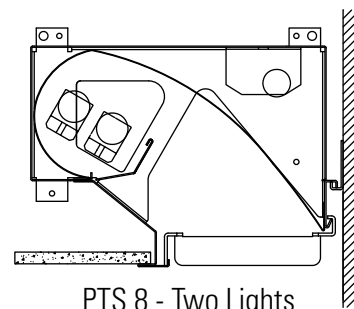
PTS 8 - One Light



PTS 5 - Two Lights



PTS 6 - Two Lights



PTS 8 - Two Lights

INSTALL FIXTURE HOUSING

1. Install J-Rail(s) to wall using adequate hardware (by others) 3-1/2" above the room ceiling line. Properly level along the length of the row. (Fig. 1)
2. Determine which fixture will provide power to row and remove a 7/8" KO from top of housing. Also remove the reflector from fixture.

(Note: install fixtures from left to right as installer faces the wall).

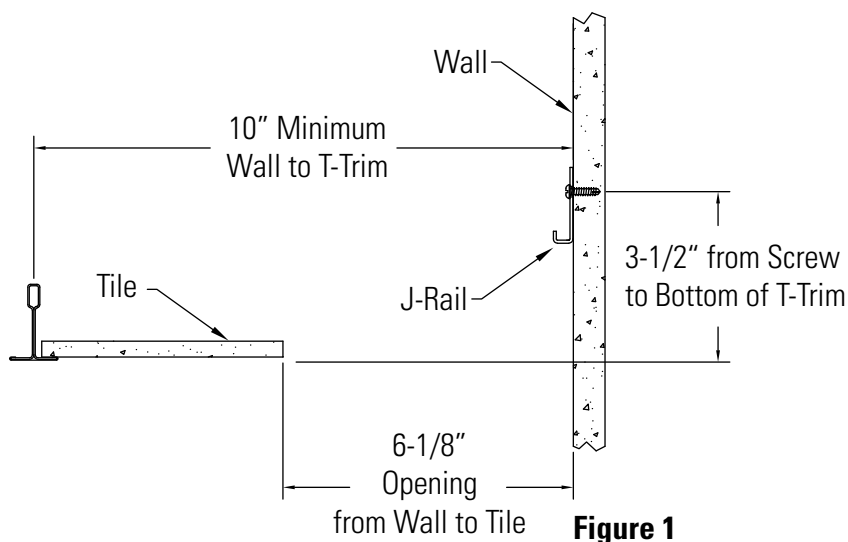


Figure 1

3. Hang Suspension Wire from structure above spaced according to fixture lengths.
4. Install left-hand end plate to first fixture in row using supplied hardware (3 #8 screws and nuts).
5. Lift first fixture into position and hook to J-Rail also hang from Suspension Wire. Making sure it is properly leveled. (Fig. 2)

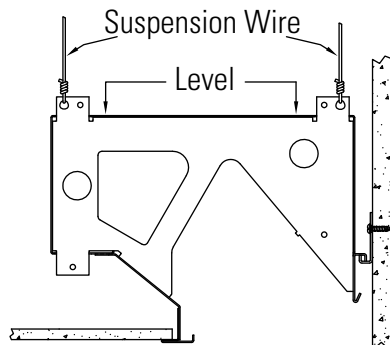
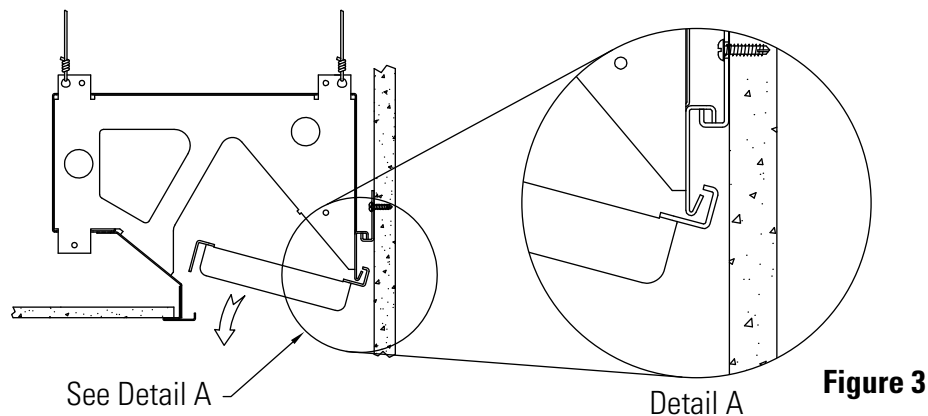


Figure 2

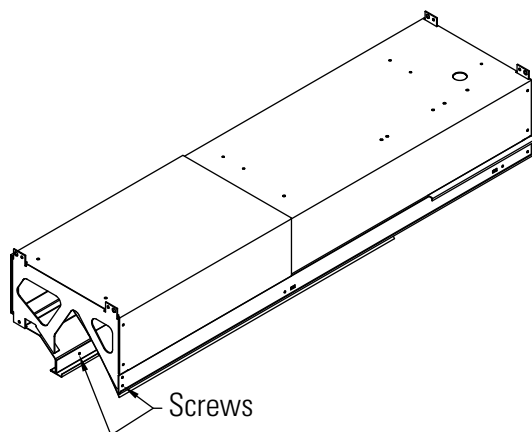
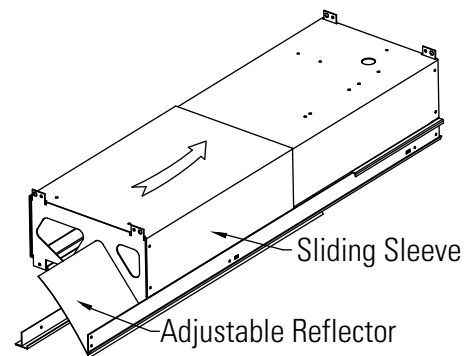
INSTALL FIXTURE HOUSING (CONT'D)

6. Lift second fixture into position and hook to J-Rail also hang from Suspension Wire.
7. Snap electrical Quick Connectors together and make sure fixture is properly level.
8. Secure fixtures together using supplied hardware (3 #8 screws and nuts).
9. Repeat these steps for following fixtures and/or corners in row.
10. Install right-hand end plate to last fixture in row using supplied hardware (3 #8 screws and nuts).
11. Make necessary electrical connections to fixture that provides power to row and reinstall reflector. Make sure not to exceed more than 20 amps per feed.
12. Install all lamps and shielding (if applicable) to fixtures in row. (Fig. 3)



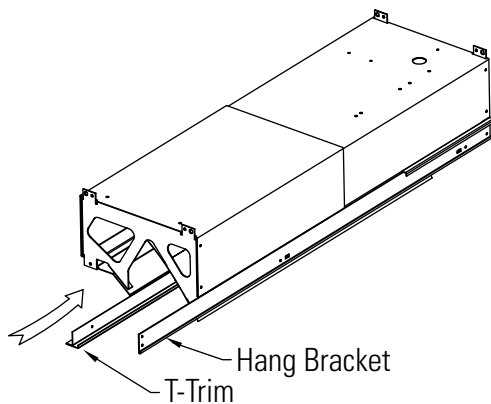
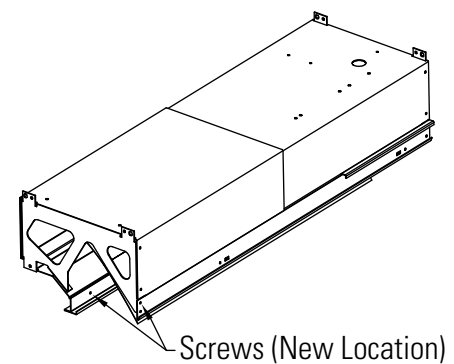
ADJUSTABLE FIXTURE

1. Note: Adjustable fixtures are shipped extended to maximum length. They will retract down 11" on the non-staggered versions and 9" on the staggered versions.
2. To determine which adjustable fixture will fit in the ceiling opening, measure from last non-adjustable fixture to wall or last non-adjustable fixture to corner fixture.
- 3A. For Fixture Using non-Staggered Lamps
Use the 4' adjustable fixtures in opening from 48.75" - 60".
Use the 3' adjustable fixtures in opening from 36.75" - 48".
Use the 2' adjustable fixtures in opening from 24.75" - 36".
- 3B. For Fixture Using Staggered Lamps
Use the 4' staggered fixtures in opening from 51" - 60".
Use the 3' staggered fixtures in opening from 39" - 48".
Use the 2' staggered fixtures in opening from 27" - 36".
4. To adjust fixture to proper length, remove the number 8 screws on T-Trim and Hang Bracket that keep Sliding Sleeve from moving. (Fig. 4)
5. Push on Sliding-Sleeve to proper length. (Fig. 5) T-Trim, Hang Bracket and reflector will not move.

**Figure 4****Figure 5**

ADJUSTABLE FIXTURE (CONT'D)

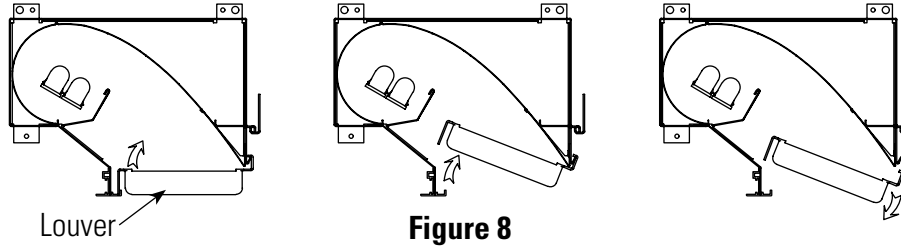
6. Next push on Adjustable Reflector until flush with end of Sliding-Sleeve. (Fig. 6)
7. Remove and cut T-Trim and Hanging-Bracket to proper length. (Fig. 7)
8. Install right-hand end plate to Adjustable fixture in row using supplied hardware (3 #8 screws and nuts). Re-attach T-Trim and Hanging Bracket to Sliding Sleeve using number 8 screws. (Fig.7)

**Figure 6****Figure 7**

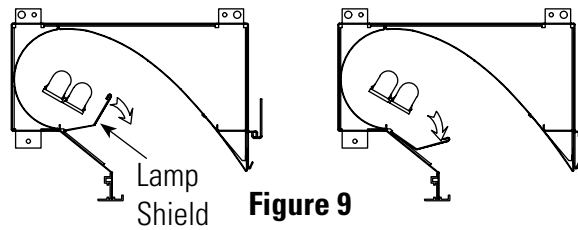
9. Lift Adjustable fixture into position and hook to J-Rail. Hang from Suspension Wire.
10. Join electrical Quick Connectors together and make sure fixture is properly level.
11. Secure fixtures together using supplied hardware (3 #8 screws and nuts).
12. Install all lamps and shielding (if applicable) to fixtures in row. (Fig. 3)

LAMPING PROCEDURE

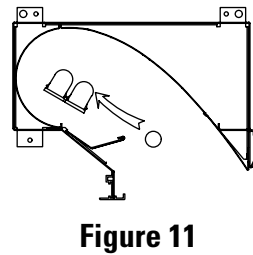
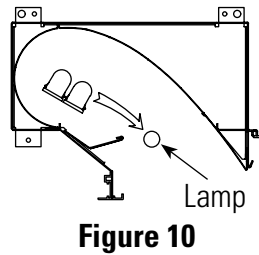
1. Remove the louver or lens if applicable. (Fig. 8)



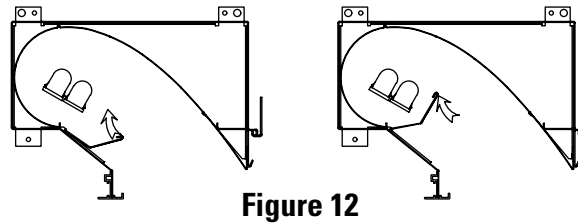
2. Reach into the fixture and pull the top of the lamp shield downward and towards the wall. (Fig. 9)



3. Rotate and remove the lamp. (Fig. 10)
4. Replace with new lamp. (Fig. 11)



5. Push the lamp shield up and away from the wall until it snaps into place. (Fig. 12)



6. Replace the louver or lens if applicable. (Fig. 13)

