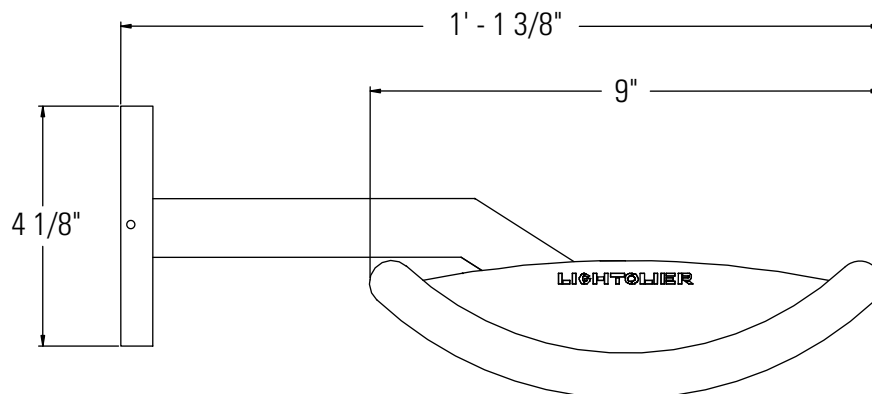


READ AND UNDERSTAND THESE INSTRUCTIONS BEFORE PROCEEDING.
RETAIN THESE INSTRUCTIONS FOR MAINTENANCE REFERENCE.

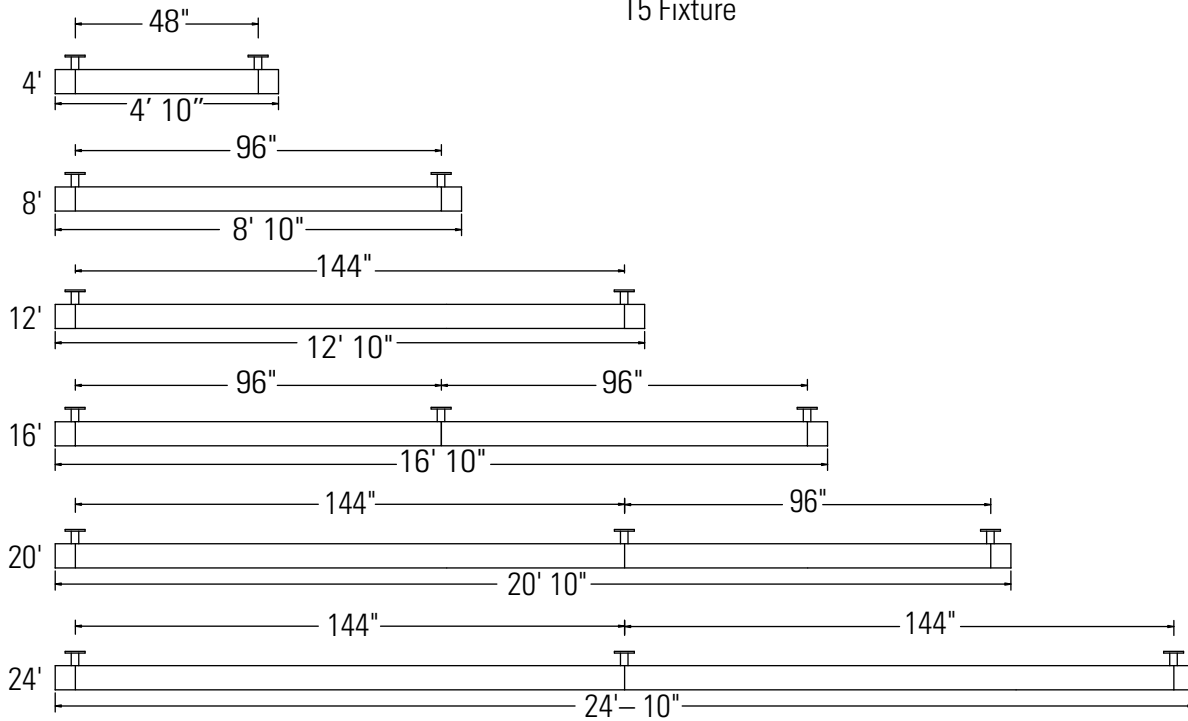
This fixture is intended for installation in accordance with the National Electrical Code and local regulations. To assure full compliance with local codes and regulations, check with your local electrical inspector before installation. To prevent electrical shock, turn off electricity at electrical panel before proceeding.

DO NOT INSTALL THIS SYSTEM IN A WET OR DAMP LOCATION.
DO NOT ENERGIZE ANYTHING OTHER THAN THE FIXTURES IN THE SYSTEM.
DO NOT EXCEED MAXIMUM WEIGHT LOADING.

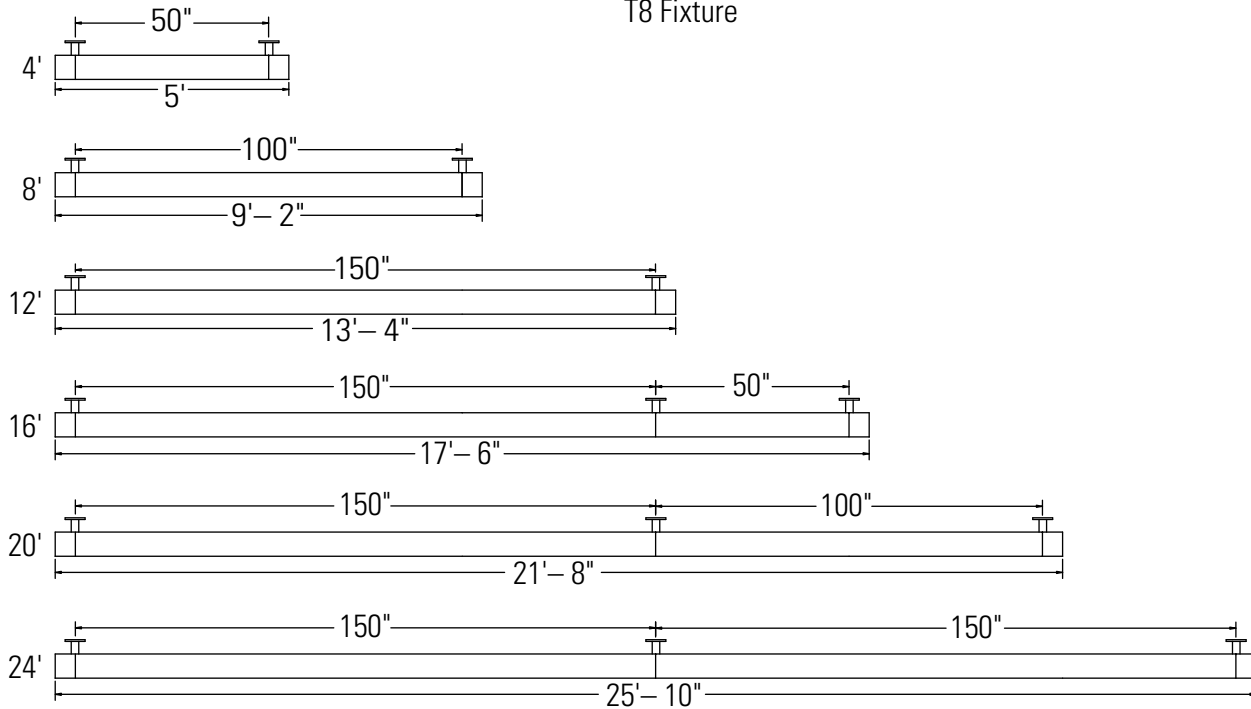
CONTRACTOR IS RESPONSIBLE FOR ADEQUATELY REINFORCING WALL TO SUPPORT FIXTURE WEIGHT.



T5 Fixture



T8 Fixture



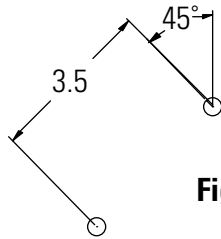


Figure 1

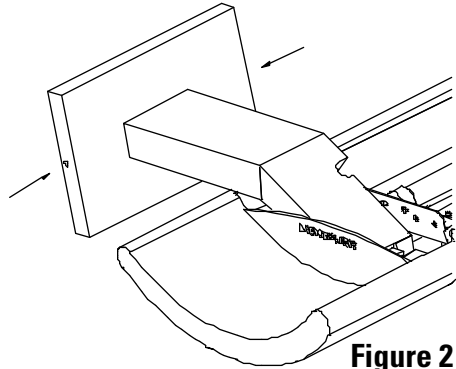


Figure 2

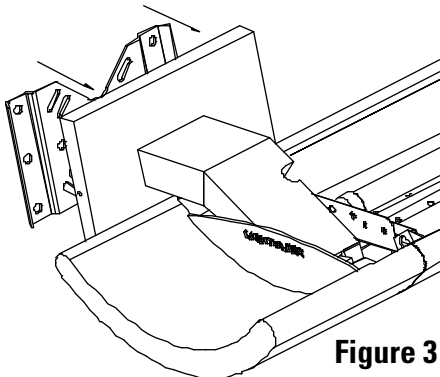


Figure 3

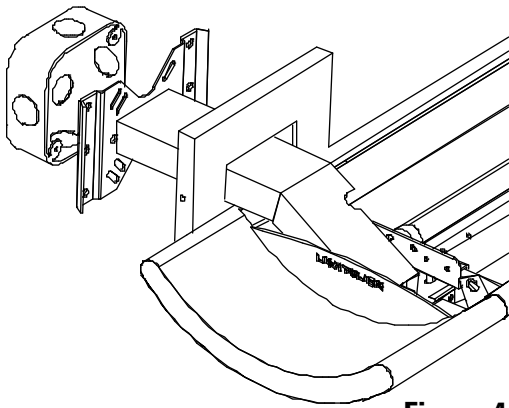


Figure 4

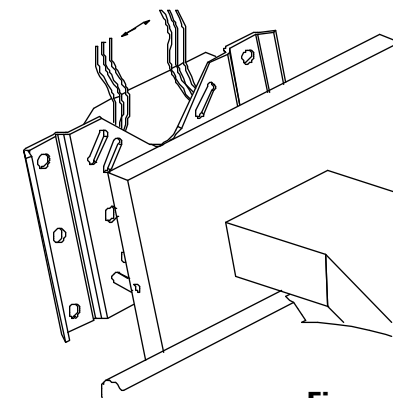


Figure 5

Step 1. Mark off Mounting Centers

- A. Mark required mounting distance from j-box to mounting center and drill two (2) holes (diameter to be determined by method of support) 45° from horizontal and 3 1/2" apart. (Fig. 1) Refer to page 1 for mounting distance.

Step 2. Install the Fixture

- A. Loosen the set screws on each of the wall canopies. (Fig. 2)
- B. Slide the wall canopies out of the way. (Fig. 3)
- C. Fasten the fixture securely to the j-box with (2) 8-32x1" machine screws (by others). (Fig. 4)
- D. Secure other wall bracket to the holes previously drilled in **Step 1**.

Step 3. Connecting Wiring to the Fixture

- A. Pull wiring from the j-box and the fixture through top of the wall bracket. (Fig. 5)
- B. Connect wiring and push it back into the j-box.

Step 4. Wall Canopy Installation

- A. Make sure all of the wiring from the previous step are completely pushed back into the j-box.
- B. Slide wall canopies back onto the wall brackets and secure them by tightening the 8-32 set screws loosened in **Step 2**.