

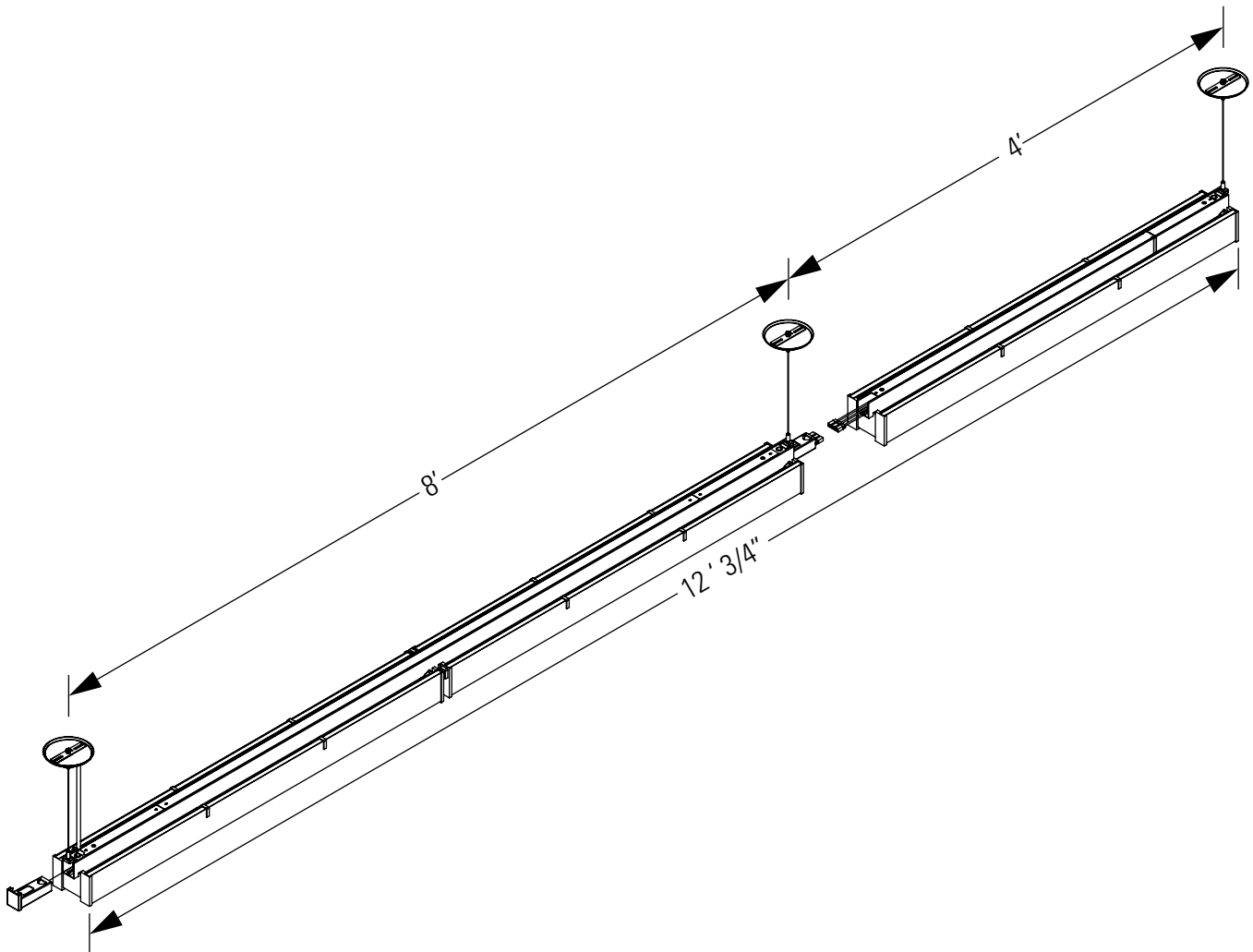
READ AND UNDERSTAND THESE INSTRUCTIONS BEFORE PROCEEDING.
RETAIN THESE INSTRUCTIONS FOR MAINTENANCE REFERENCE.

This fixture is intended for installation in accordance with the National Electrical Code and local regulations. To assure full compliance with local codes and regulations, check with your local electrical inspector before installation. To prevent electrical shock, turn off electricity at electrical panel before proceeding.

DO NOT INSTALL THIS SYSTEM IN A WET OR DAMP LOCATION.
DO NOT ENERGIZE ANYTHING OTHER THAN THE FIXTURES IN THE SYSTEM.
DO NOT OVERLOAD FEED CABLE, 10 AMP MAX FOR SJT 18-3 AND 7 AMP MAX FOR SJT 18-4 & 18-5.

THE FIXTURES IN THIS SYSTEM HAVE A POLARIZED MALE AND FEMALE PLUG AT EACH END, THESE PLUGS WILL SNAP TOGETHER.

CONTRACTOR IS RESPONSIBLE FOR ADEQUATELY REINFORCING CEILING TO SUPPORT FIXTURE WEIGHT.



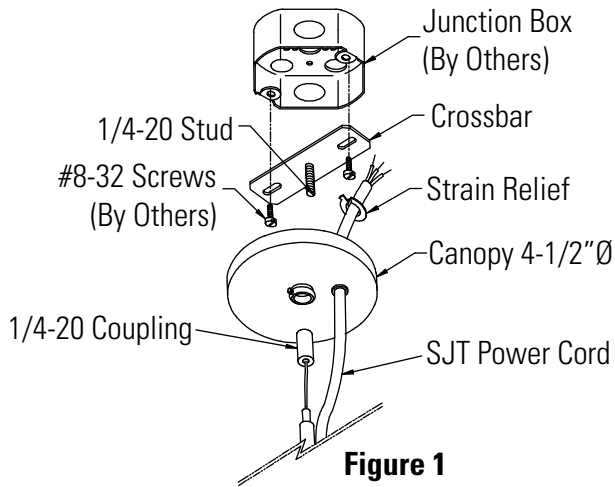


Figure 1

Step 1. Installing the Suspension

- A. Install the suspension assembly to the junction boxes. (Fig. 1)
- B. The first suspension in each run should be from the power feed end set, which contains power cord and an end-cap. (Fig. 2)
- C. Install the intermediate suspension assemblies to the ceiling structure support.
- D. At the end of each run, install the non-power feed end set.

Step 2. Installing the First Fixture

- A. Slide the Power wire into the hole and connect to the lead wires. Slide-in the hanging part to the upper slot of the housing.
- B. Push the fixture flush with the end cap.
- C. Install the wire end cover.
- D. Tighten the set screws on the end cap of the starter fixture with an allen wrench.

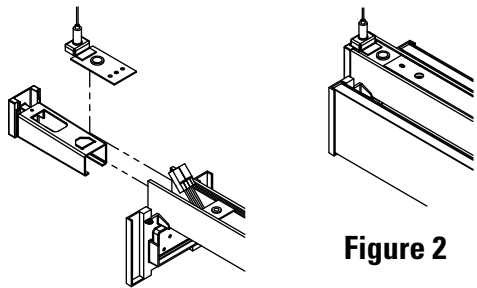


Figure 2

Step 3. Installing the Remaining Fixtures

- A. Connect the wiring between fixtures before sliding the fixtures together. (Fig. 3)
- B. After each addition to your run tighten down the set screws to hold the fixtures in place. (Fig. 3)

Step 4. Installing the End Cap

- A. Install the non-power end cap to the end of run. (Fig. 2)

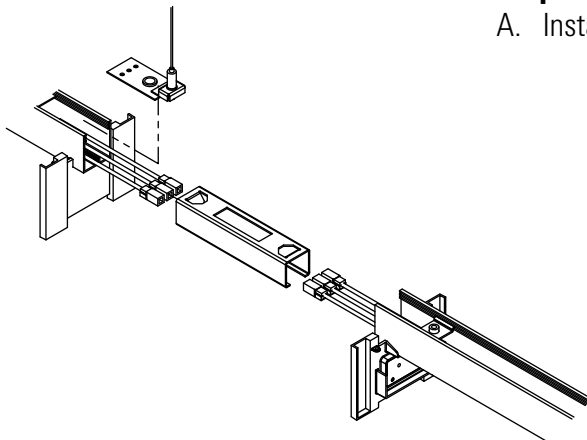


Figure 3

NOTE: Mounting locations can be moved approximately 6" towards the center of the fixture, but end reflectors re-cut, and mounting plate must be slide and re-tightened in place.

MOUNTING ADJUSTABILITY INSTRUCTIONS

Remove existing wire way covers (not shown), slide mounting plate into desired position, up to 12" from end of fixture.

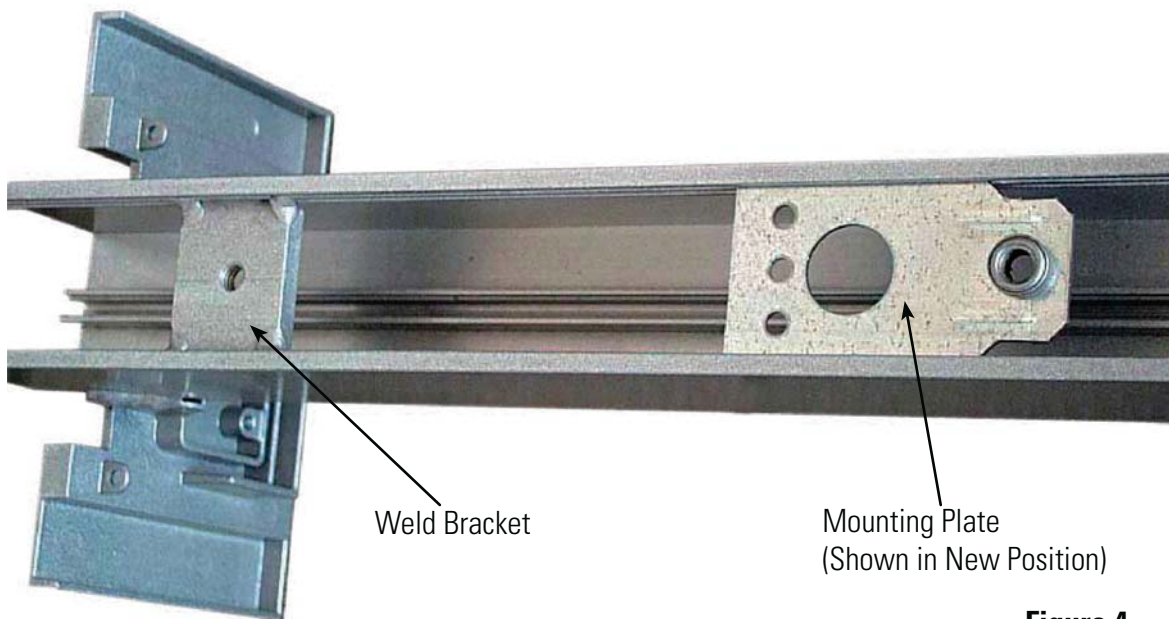


Figure 4

Re-install cover bracket so end cover can be attached.

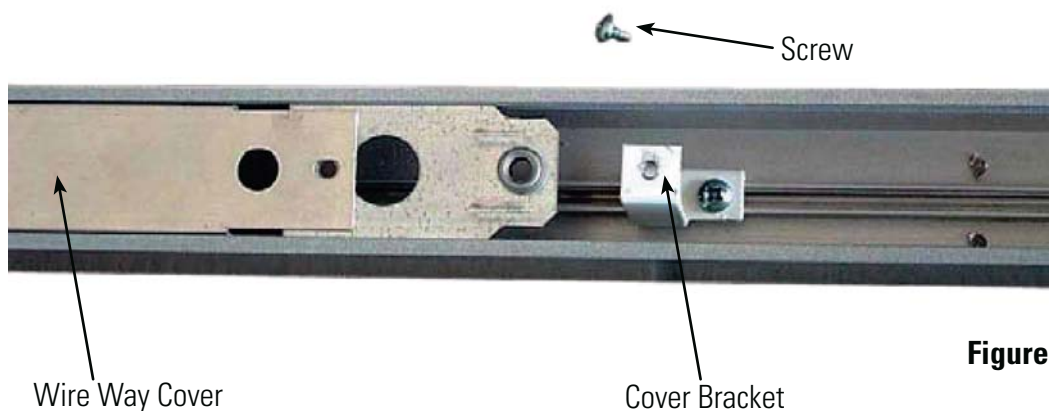


Figure 5

Cut wire way cover according to new mounting bracket position. Then drill new screw hole on wire way cover to match the position of weld bracket thread hole before reinstalling covers. (Fig. 7)

MOUNTING ADJUSTABILITY INSTRUCTIONS (CONT'D)

Re-attached wire way covers are shown.

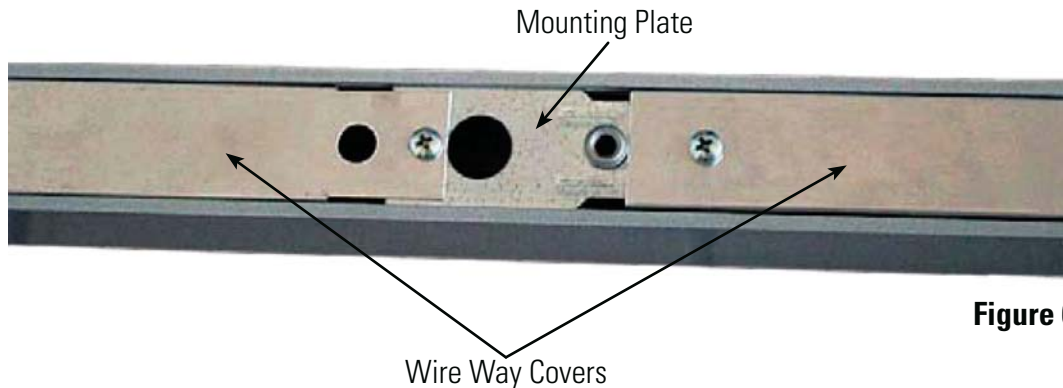


Figure 6

Completed hanging adjustment (shown 12" from end of run).

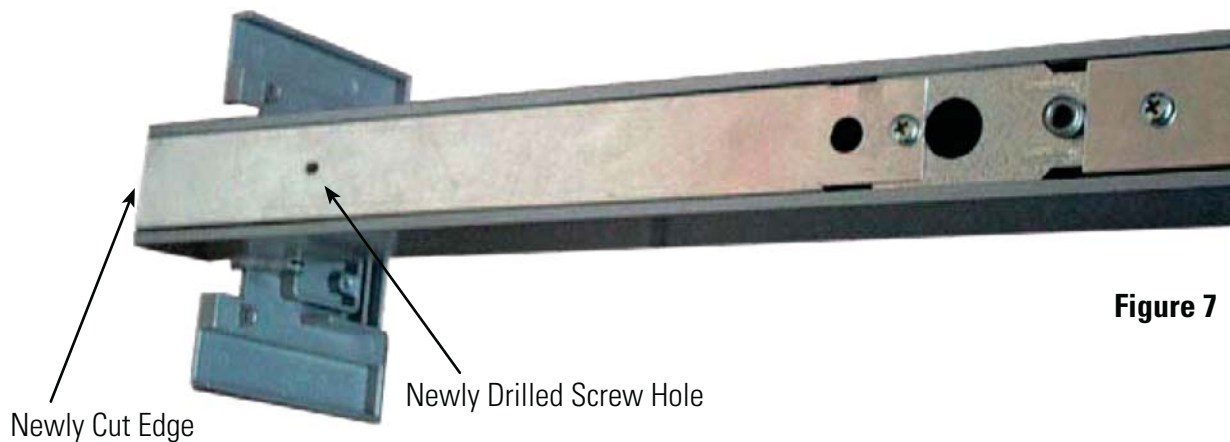


Figure 7