

LIGHTOLIER® Lighting Systems **IS-CTS3_FLNGLSS**

Page 1 of 3

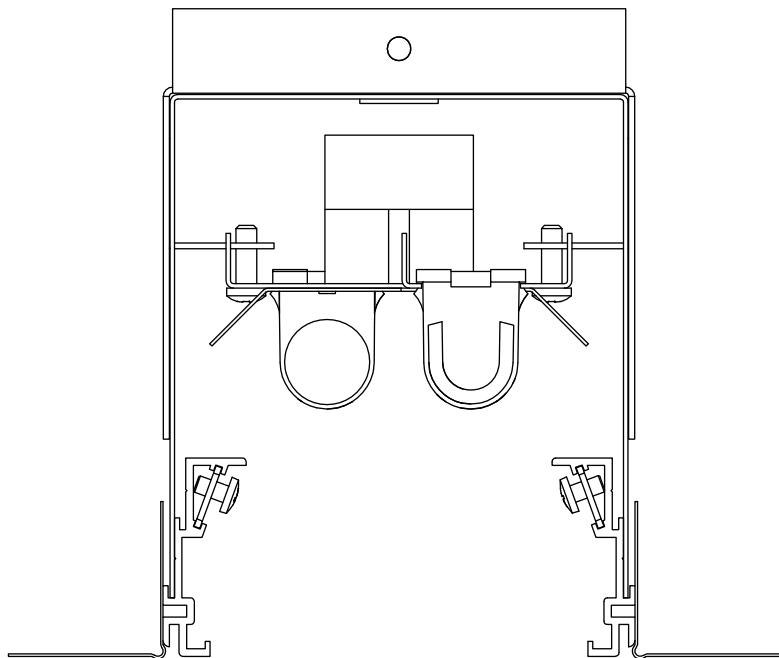
Instruction Sheet for Assembly and Installation of CTS3 Flangeless Fixtures

READ AND UNDERSTAND THESE INSTRUCTIONS BEFORE PROCEEDING.
RETAIN THESE INSTRUCTIONS FOR MAINTENANCE REFERENCE.

This fixture is intended for installation in accordance with the National Electrical Code and local regulations. To assure full compliance with local codes and regulations, check with your local electrical inspector before installation. To prevent electrical shock, turn off electricity at electrical panel before proceeding.

DO NOT INSTALL THIS SYSTEM IN A WET OR DAMP LOCATION.
DO NOT ENERGIZE ANYTHING OTHER THAN THE FIXTURES IN THE SYSTEM.

CONTRACTOR IS RESPONSIBLE FOR ADEQUATELY REINFORCING CEILING TO SUPPORT FIXTURE WEIGHT.
NOTE: FIXTURES WERE DESIGNED TO BE INSTALLED PRIOR TO CEILING.



631 Airport Road, Fall River, MA 02720 • (508) 679-8131 • Fax (508) 674-4710
We reserve the right to change details of design, materials and finish.
www.lightolier.com © 2008 Philips Group • C0808

A. Individual Installation

1. Place fixture in desired location and support both ends with hang-wires from structure above. (Fig. 1)
2. Remove access-plate on top of fixture to gain access to splice compartment, remove a 7/8" (2.22cm) knockout from access-plate and pull necessary wires out of fixture. (Fig. 4)
3. Provide power to fixture per NEC & local codes and re-install access-plate. (Fig. 4)
4. Lamp all fixtures with designated lamps and test.
5. Once all fixtures are installed, fasten corner bead material to ceiling, then plaster in fixture and finish ceiling. (Fig. 2)
6. Install all diffusers provided with fixtures. (Fig. 3)

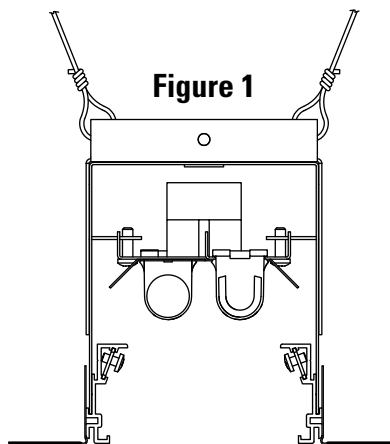


Figure 1

Hang Fixture from Structure Above. Make Sure Fixture is Leveled Lengthwise and Widthwise

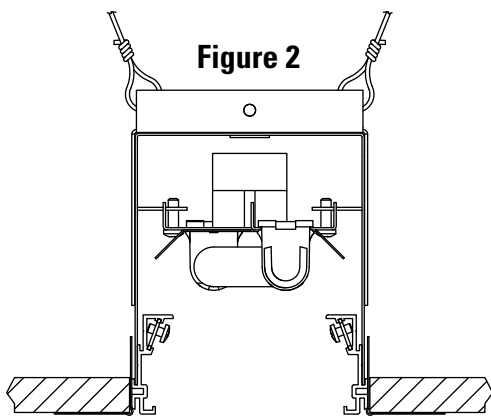


Figure 2

Provide Power to Fixture Through Access Plate and Test. Build Ceiling Around Fixture Then Fasten Corner Bead material to Ceiling and Finish Ceiling.

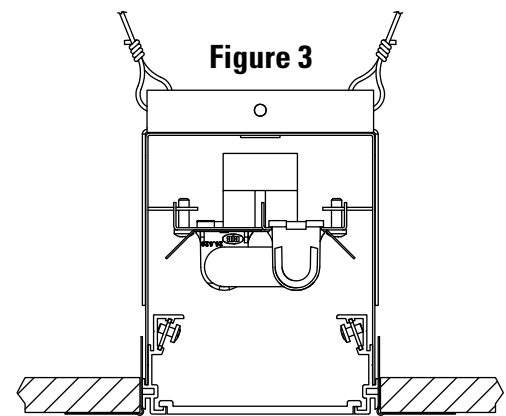


Figure 3

Install Diffuser Provide with Fixture. Lens or Louver.

B. Row Installation

1. Lift starter fixture to desired height and support both ends with hang-wires from structure above, making sure it is properly level lengthwise and widthwise. (Fig. 1) NOTE: starter fixtures are shipped from the factory with a stiffening bracket that needs to be removed before the next fixture is installed.
2. Lift next fixture to desired height and support the far end from previous fixture with hang-wires from structure above, making sure it is properly level lengthwise and widthwise, make all electrical connections, then secure to previous fixture utilizing supplied no. 8-32 hardware and aligning splines, Splines should be secured and centered between the two fixtures.
3. Repeat step 2 until all but last fixture is hanging from structure above.
4. If this row is scheduled to have an ending telescopic fixture, see installation instructions supplied with that fixture to adjust to proper length
5. Remove access-plate on top of starter fixture to gain access to splice compartment, remove a 7/8" (2.22cm) knockout from access-plate and pull necessary wires out of fixture. (Fig. 4)
6. Provide power to fixture per NEC & local code and re-install access-plate. (Fig. 4)
7. Lamp all fixtures with designated lamps and test.
8. Once all fixtures are installed, fasten corner bead material to ceiling, then plaster in fixture and finished ceiling. (Fig. 2)
9. Install all diffusers provided with fixtures. (Fig. 3)

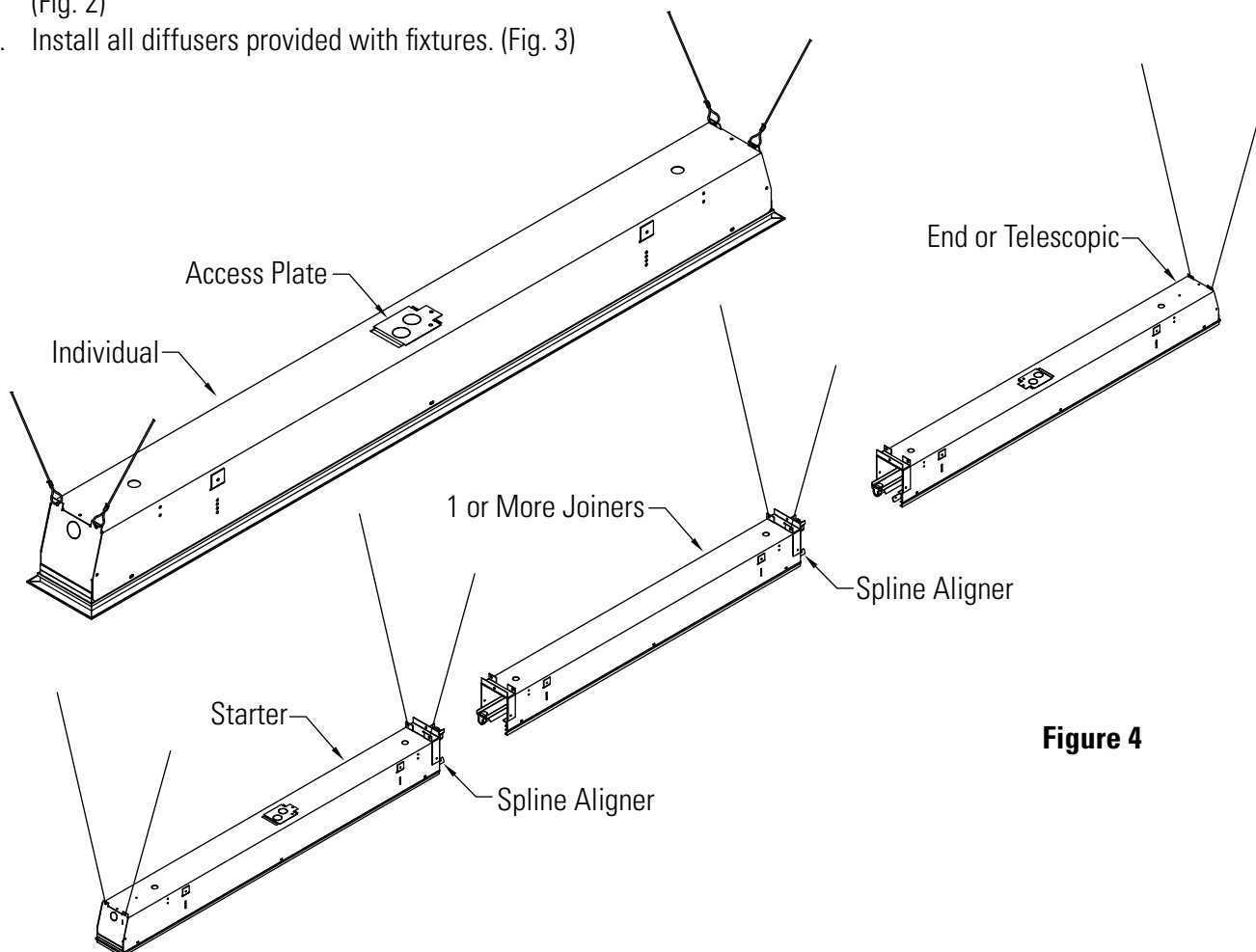


Figure 4