

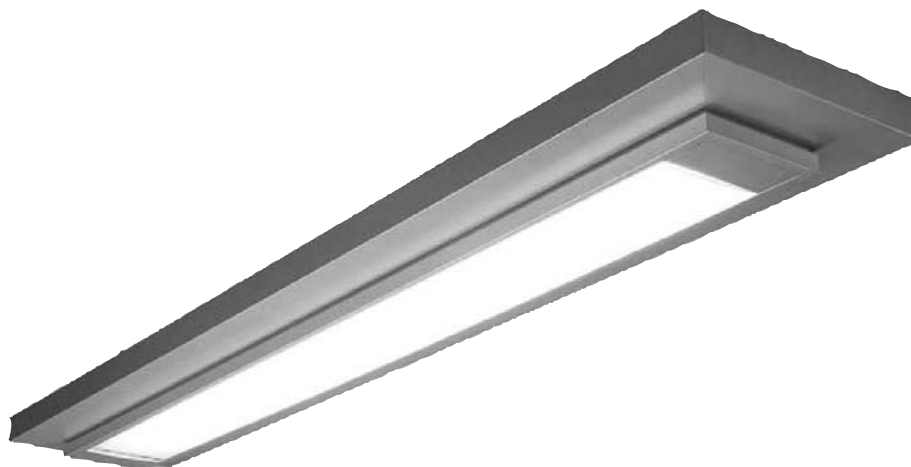
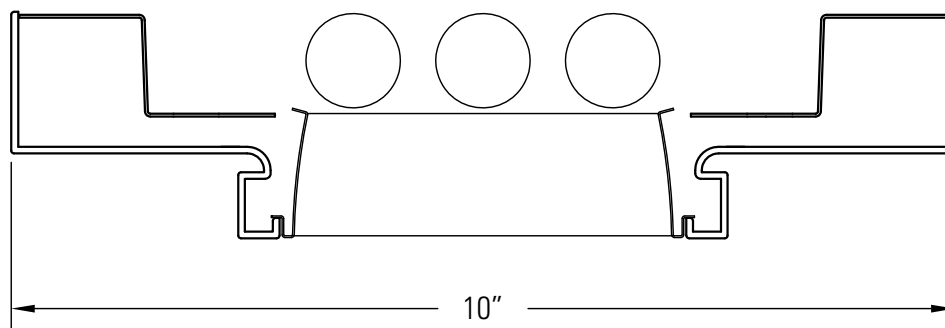
READ AND UNDERSTAND THESE INSTRUCTIONS BEFORE PROCEEDING.
RETAIN THESE INSTRUCTIONS FOR MAINTENANCE REFERENCE.

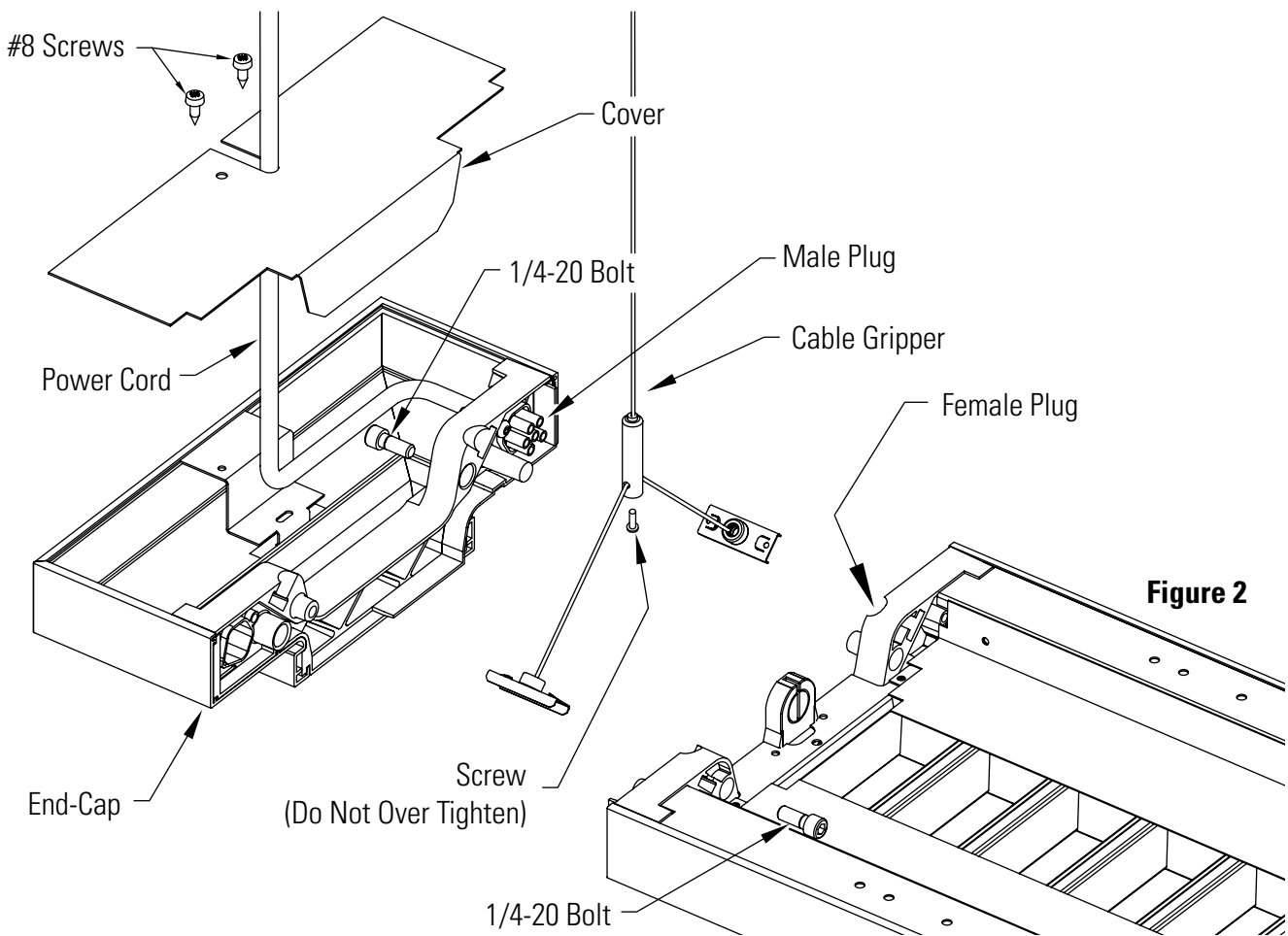
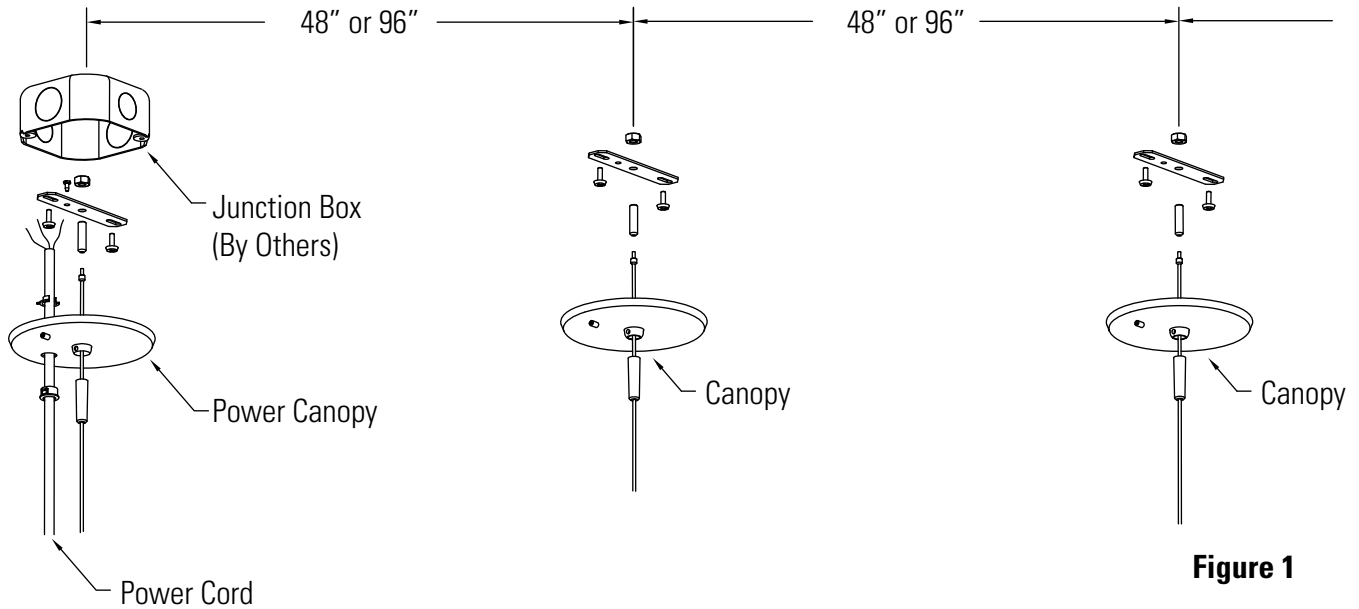
This fixture is intended for installation in accordance with the National Electrical Code and local regulations. To assure full compliance with local codes and regulations, check with your local electrical inspector before installation. To prevent electrical shock, turn off electricity at electrical panel before proceeding.

DO NOT INSTALL THIS SYSTEM IN A WET OR DAMP LOCATION.
DO NOT ENERGIZE ANYTHING OTHER THAN THE FIXTURES IN THE SYSTEM.
DO NOT OVERLOAD FEED CABLE, 10 AMP MAX FOR SJT 18-3 AND 7 AMP MAX FOR SJT 18-4 & 18-5.

THE FIXTURES IN THIS SYSTEM HAVE A POLARIZED MALE AND FEMALE PLUG AT EACH END, THESE PLUGS WILL SNAP TOGETHER SIMPLY BY PUSHING FIXTURES TOGETHER.

CONTRACTOR IS RESPONSIBLE FOR ADEQUATELY REINFORCING CEILING TO SUPPORT FIXTURE WEIGHT.





631 Airport Road, Fall River, MA 02720 • (508) 679-8131 • Fax (508) 674-4710
 We reserve the right to change details of design, materials and finish.
www.lightolier.com © 2008 Philips Group • B0608

Step 1. Installing the Suspension Cables

- A. Install the power cable suspension assembly to the junction box. (Fig. 1)
- B. Make sure to secure the green ground wire from Power Cord to the cross-bar.
- C. The first suspension in each row should be from the power feed end, which contains a male power cord and an end cap. (Fig. 1)
- D. Install the remaining cable suspension assemblies to the ceiling structure, spaced at 48" or 96" apart as required.

Step 2. Installing the First Fixture

- A. Remove the cover from Power End-Cap by removing two no. 8 screws.
- B. Orient fixture so female plug in fixture faces the Power cord male plug.
- C. Insert the Hanging Clips from first and second cable suspension assemblies into the fixture. (Fig. 2)
- D. Hold the end cap flush with the end of the first fixture. Tighten the 1/4-20 bolt from fixture and 1/4-20 bolt from Power End-Cap. (Fig. 2) Replace cover.
- E. Level fixture lengthwise by pressing down on top of cable grippers and pushing or pulling on cables as required, then cut excess cable. If necessary, level fixture widthwise by loosening the small screw at bottom of cable gripper and adjust sideways. Be sure to re-tighten the screw (Do not over tighten).

Step 3. Installing the Remaining Fixtures

- A. Orient the next fixture's female plug so it faces the previous fixture's male plug.
- B. Insert the Hanging Clips from second and third suspension assemblies into the second fixture.
- C. Push fixtures together.
- D. Tighten each of the 1/4-20 bolts in both fixtures.
- E. Level fixture lengthwise by pressing down on top of cable grippers and pushing or pulling on cables as required, then cut excess cable. If necessary, level fixture widthwise by loosening the small screw at bottom of cable gripper and adjust sideways. Be sure to re-tighten set screw (Do not over tighten).
- F. Repeat step 3 as many times as required to complete row.

Step 4. End of Row

- A. Remove the cover from non Power End-Cap by removing two no. 8 screws.
- B. Hold the End-Cap flush with the last fixture in row.
- C. Tighten the 1/4-20 bolts , replace cover.

Depending on voltage, lamps and row length , the need for additional Power Drops may arise. A minor modification must be made to the fixture receiving the Power Drop.

Step 1. Modifying the Unit

- A. Remove reflector to gain access to Line Voltage splice compartment.
- B. Remove 1/2" dia k.o. from reflector.
- C. Cut the appropriate wires from wire harness and cap wires going to previous fixture. See note below.
- D. Tap appropriate wires from power cord into modified fixture's wire harness.
- E. Route cord through hole in socket bracket, then through reflector hole and finally through canopy.
- F. Make all necessary connections at the ceiling j-box.
- G. Continue attaching fixtures until a new Power Drop unit is required.

NOTE: In some instances some of the wires in the fixture are required to remain uncut. (DALI, SHARING DAYLIGHT SENSOR , ETC.) In this case only cut and tap into the hot and neutral wires in the wire harness.

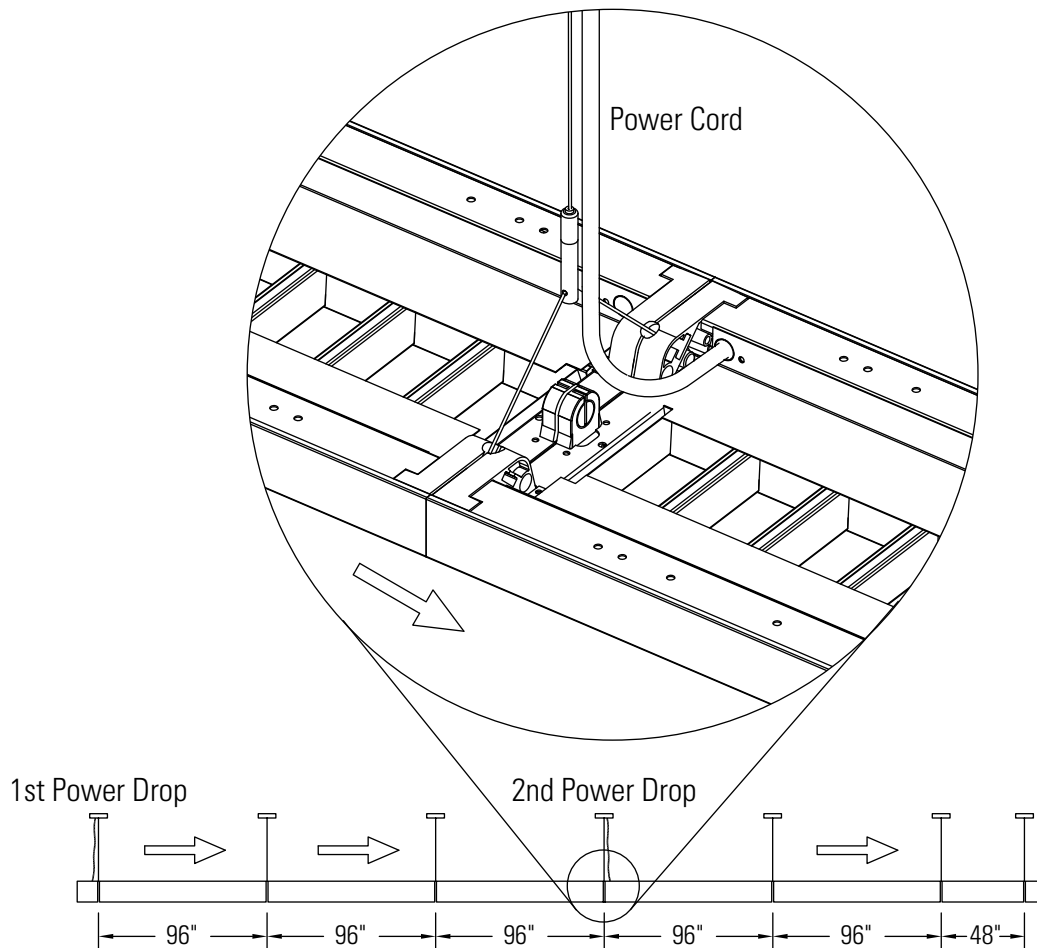


Figure 3