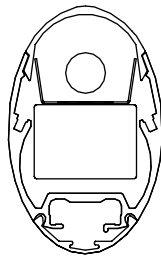


READ AND UNDERSTAND THESE INSTRUCTIONS BEFORE PROCEEDING.
RETAIN THESE INSTRUCTIONS FOR MAINTENANCE REFERENCE.

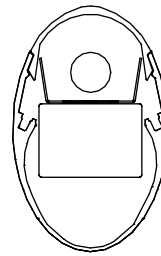
This fixture is intended for installation in accordance with the National Electrical Code and local regulations. To assure full compliance with local codes and regulations, check with your local electrical inspector before installation. To prevent electrical shock, turn off electricity at electrical panel before proceeding.

DO NOT INSTALL THIS SYSTEM IN A WET OR DAMP LOCATION.
DO NOT ENERGIZE ANYTHING OTHER THAN THE FIXTURES IN THE SYSTEM.
DO NOT EXCEED MAXIMUM WEIGHT LOADING.
DO NOT PULL MORE THAN 20 AMPS PER 12G POWER DROP.

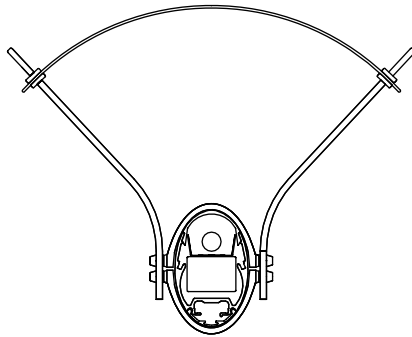
CONTRACTOR IS RESPONSIBLE FOR ADEQUATELY REINFORCING CEILING TO SUPPORT FIXTURE WEIGHT.



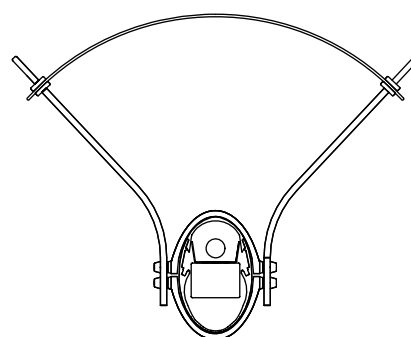
Track



Non-Track

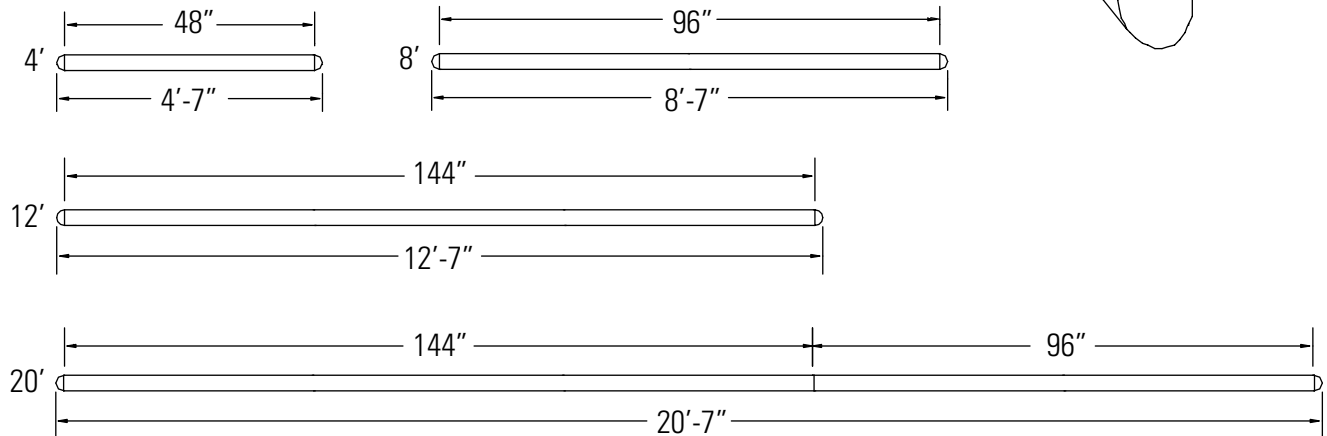
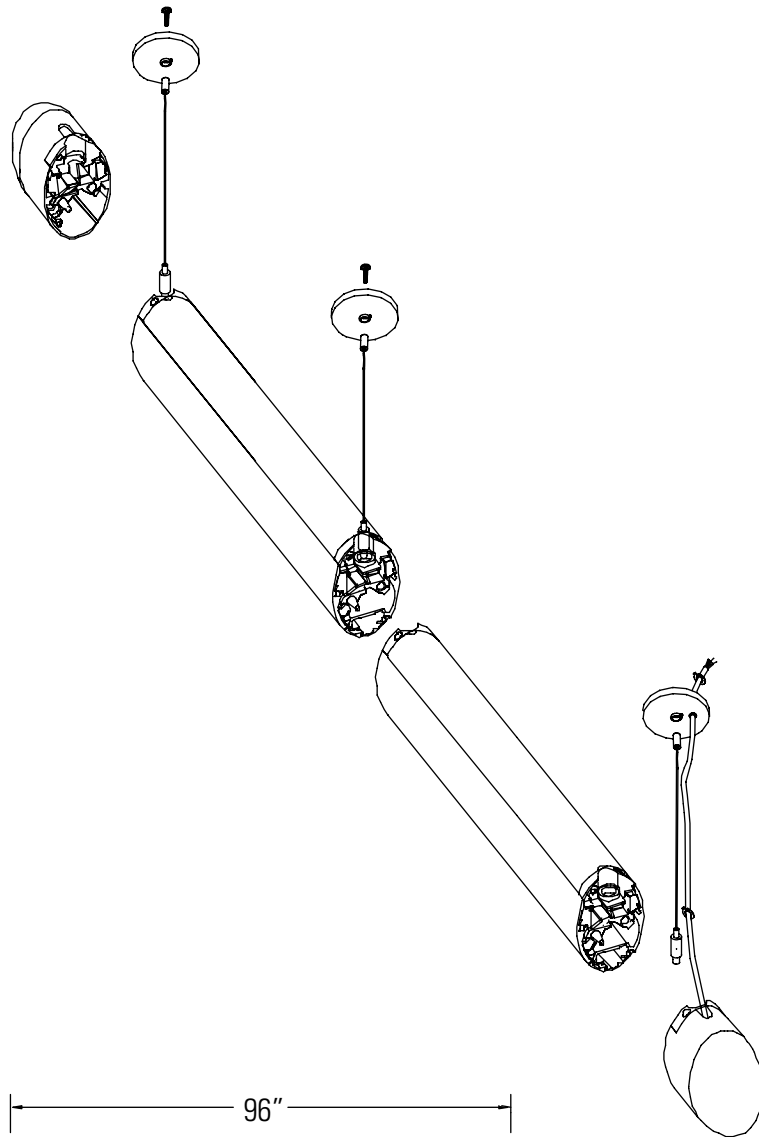


Perf-Pierced-Solid



Perf-Pierced-Solid

12 gauge 3 wire SJT max. load 10 amps. (Standard)
12 gauge 4 wire SJT max. load 7 amps.



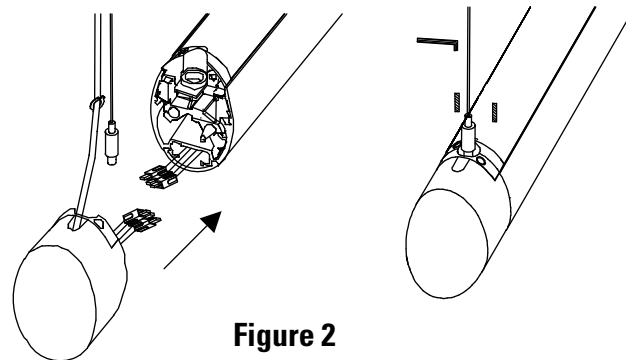
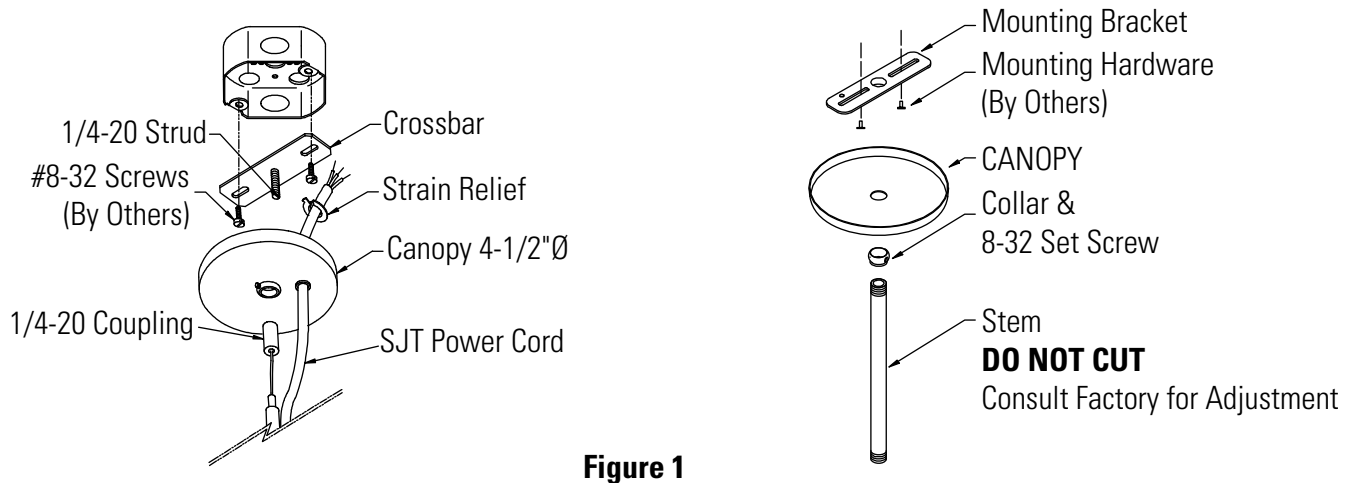
631 Airport Road, Fall River, MA 02720 • (508) 679-8131 • Fax (508) 674-4710
 We reserve the right to change details of design, materials and finish.
www.lightolier.com © 2008 Philips Group • B0608

Step 1. Installing the Suspension

- Install the suspension assembly to the junction boxes. (Fig. 1)
- The first suspension in each run should be from the power feed end set, which contains power cord and an end-cap. (Fig. 2)
- Install the intermediate suspension assemblies to the ceiling structure support.
- At the end of each run, install the non-power feed end set.

Step 2. Installing the First Fixture

- Connect wiring before sliding the power feed end cap onto the fixture. (Fig. 2)
- Push the fixture flush with the end cap.
- Tighten the set screws on the end cap of the starter fixture with an Allen wrench.
- Install second cable assembly into starter fixture.



Step 3. Installing the Remaining Fixtures

- A. Connect the wiring between fixtures before sliding the fixtures together. (Fig. 3)
- B. After each addition to your run tighten down the set screws to hold the fixtures in place. (Fig. 4)
- C. If installing track fixtures, connect wiring and slide the track coupler into the track of the intermediate fixture.

Step 4. Installing the End Cap

- A. Install the non-power end cap to the end of run. (Fig. 2)

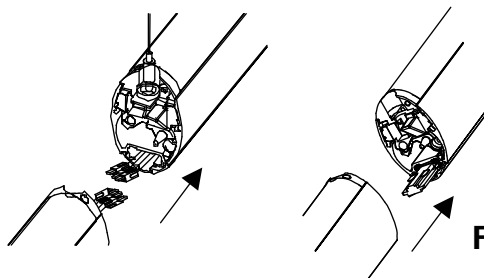


Figure 3

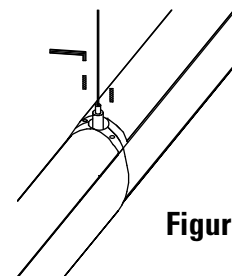


Figure 4

Step 5. Installing the Lens (Fig. 5)

- A. Squeeze one side of the lens and snap into place, slide the lens to the end of the fixture.
- B. Insert the rest of the lens by squeezing the sides and snapping it into place by working your way down the lens.

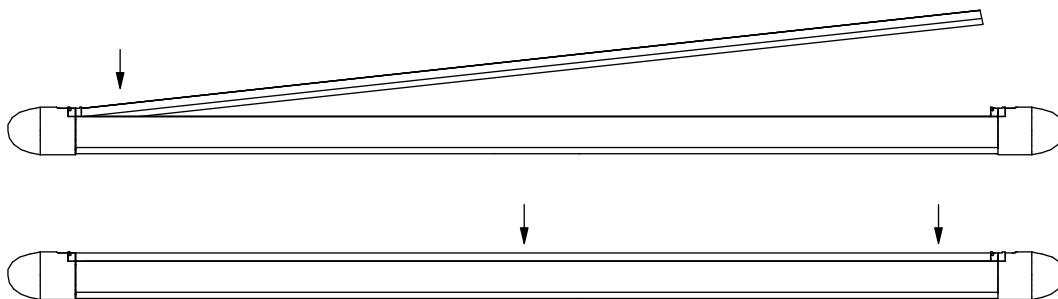
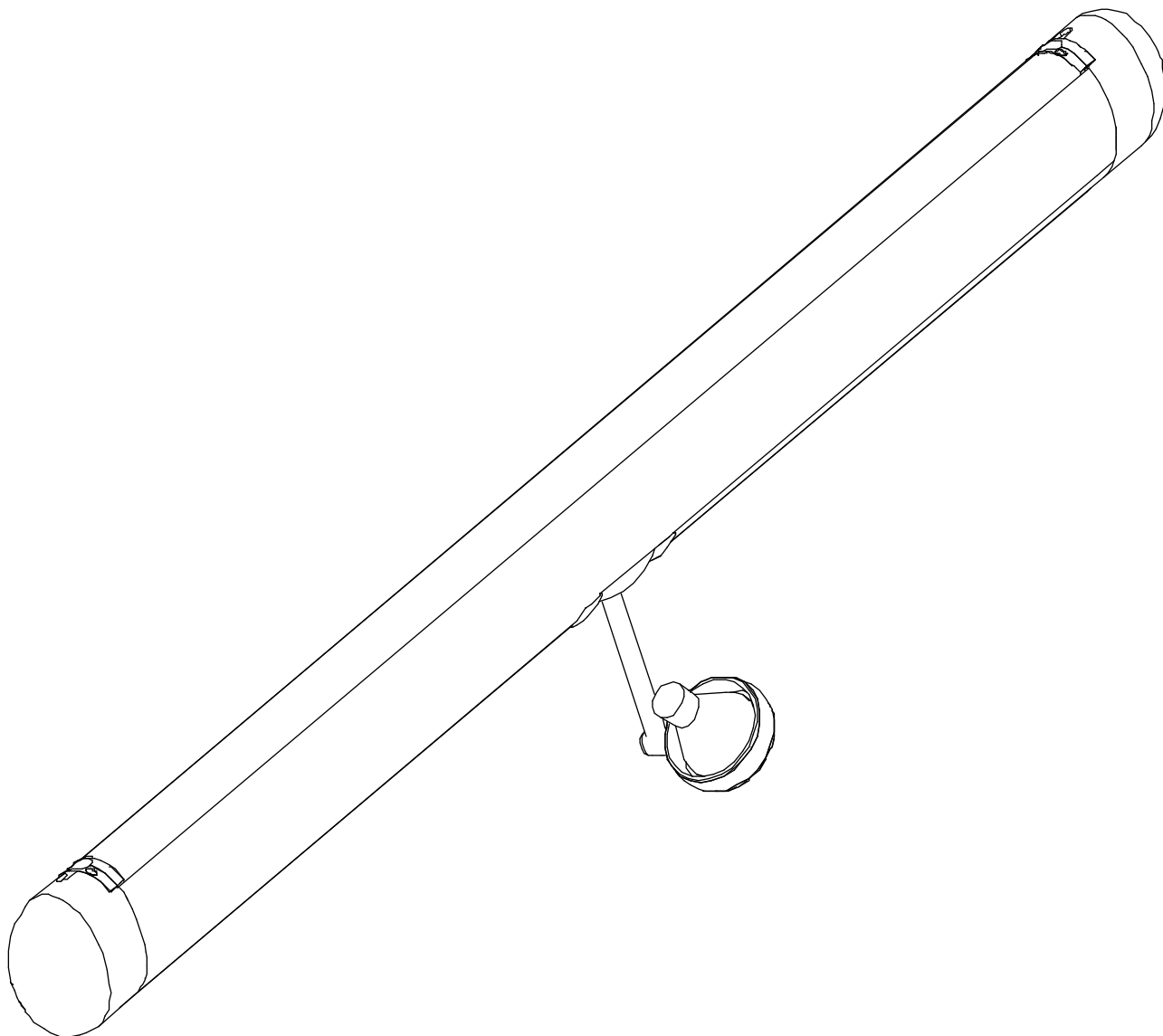


Figure 5

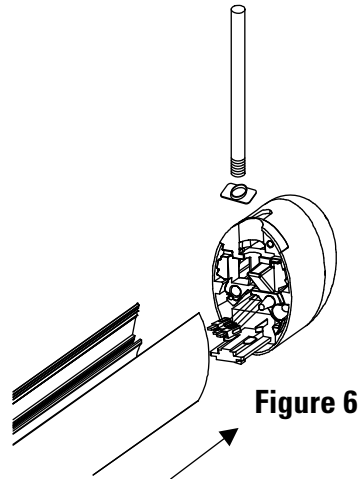
ALERON TRACK



ALERON TRACK

Step 1. Installing the Power Feed

- A. Connect wiring before sliding the power feed end cap onto the fixture. (Fig. 6)
- B. Push the fixture and the power feed end cap flush together.
- C. Tighten set screws on the end cap.



Step 2. Locating the Track Head

- A. Locate where you would like the track head(s) to be mounted. Snap in the track head casting. (Fig. 7 & Fig. 8)
Note that notches (A) and (B) have to be on the opposite side of notch (C) when snapping these parts together. Track head casting is ordered separately.
- B. Measure the distance between the end of the fixture (without end caps) to the center of the track casting. Subtract 2 inches from your measurement and that will be the length for one of the track covers. Repeat for the opposite side.

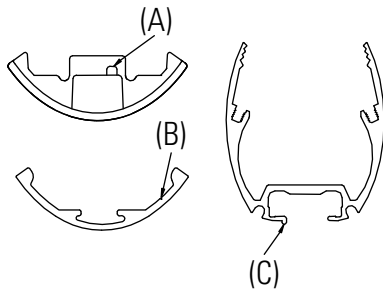


Figure 7

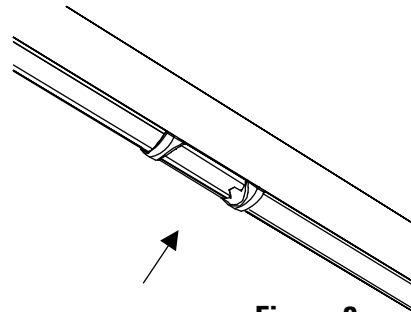
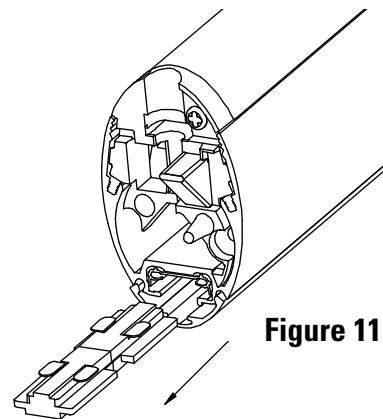
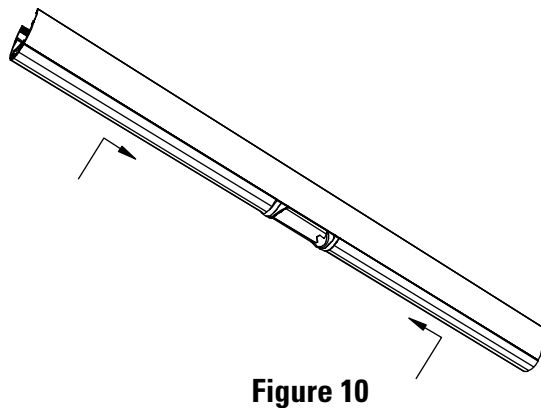
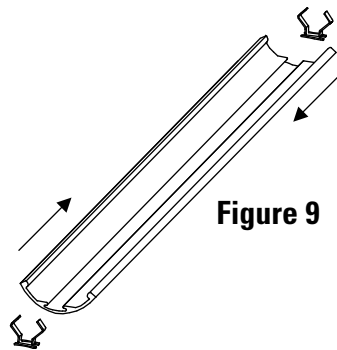


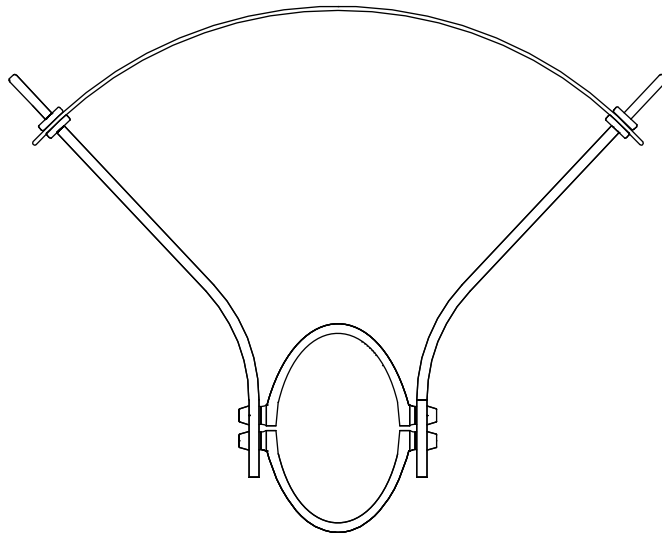
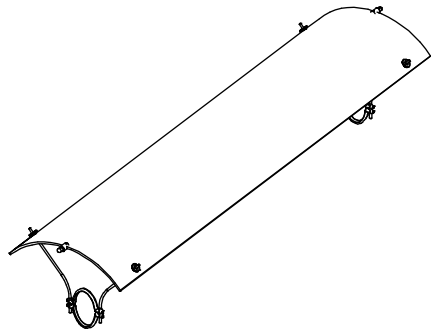
Figure 8

Step 3. Installing the Track Cover

- A. After cutting to length, you need to slide the track springs into place on the track cover. (Note: Each section of track cover should receive two springs. Except in the case of an 8' section; It should receive 3 springs. A 12' should receive 4 springs) (Fig. 9)
- B. Snap the track cover into place just short of the track head casting and slide the track cover underneath the lip of the track casting. (Fig. 10)
- C. When making an individual or ending a run, remove the track coupler from the fixture. (Fig. 11)



ALERON SHIELD



ALERON SHIELD

Step 1. Creating Lens Assembly

- A. Assemble the lens bracket on all four corners of the lens as shown. (Fig. 12)
- B. Slide casting brackets onto the lens bracket on both ends of the lens. Tighten down the four set screws. (Fig. 13)

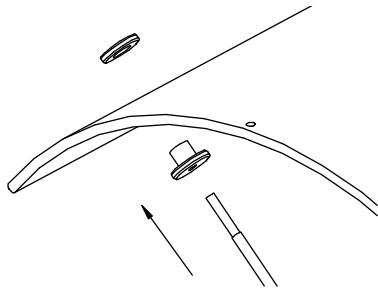


Figure 12

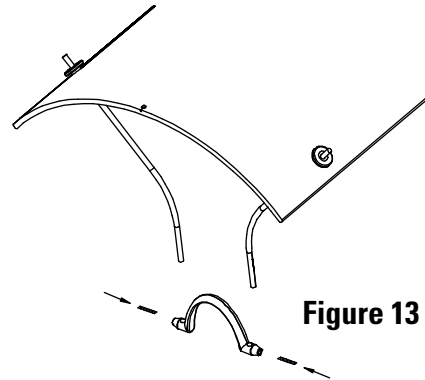


Figure 13

Step 2. Installing Lens Assembly to Housing

- A. Place the Previously assembled assembly on top of your fixture. Slide the casting bracket from below the fixture onto the lens bracket and tighten four set screws. (Fig. 14)
- B. Repeat on opposite end.

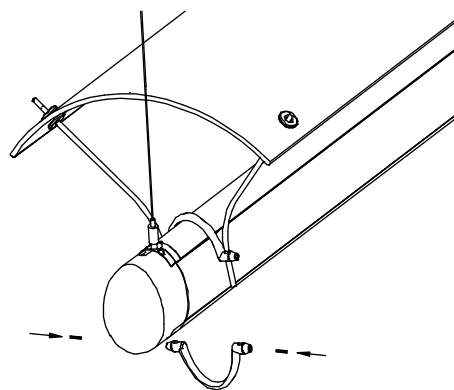


Figure 14

Step 3. Installing the Cable Balancer

- A. Slide the cable balance bullet over cable (Fig. 15)
- B. Screw down cable balance sleeve onto the bullet. (Fig. 15)
- C. Slide cable balancing assembly to the highest point of the lens and tighten set screws. (Fig. 16) Do not over tighten.

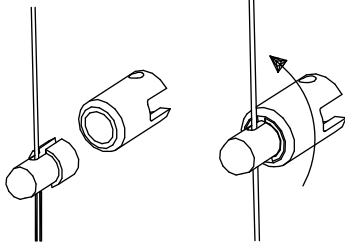


Figure 15

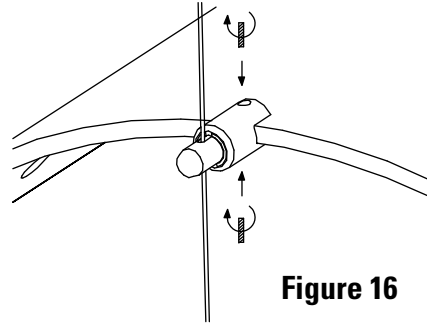


Figure 16

Step 4. Installing an Intermediate Cable Balancer

- A. To install this cable balancer, only one cable bullet is required. (Fig. 17) Slide the cable balance bullet onto the cable as done in **Step 3-A**
- B. Repeat **Step 3-B** and **3-C**
- C. Slide the other cable sleeve onto the other lens and tighten the set screws. (Fig. 18) Do not over tighten.
- D. Slide the bullet into the sleeve and tighten. (Fig. 19)

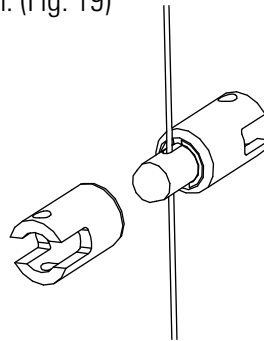


Figure 17

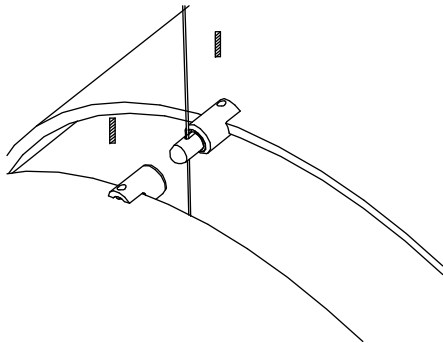


Figure 18

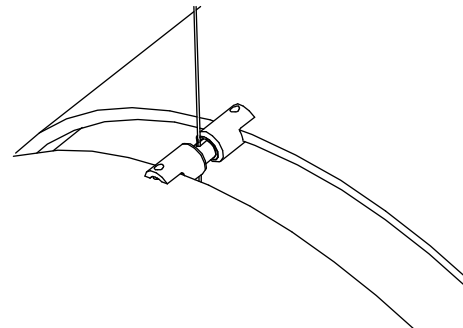


Figure 19