

Ordering Information

Family	Series	Type	Lamps	Color	Wattage	Voltage	Length
FW7	7 7 = Wedge	6 6 = Wedge lens	1 1 = 1 Lamp	AL = Aluminum WH = White	1 = 28W 2 = 54W 3 = 28W Dimming 4 = 28W EM 5 = 54W Dimming 6 = 54W EM	1 = 120v 2 = 277v	4 = 4' (121.92cm)

Complete Ordering Instructions below.

Features

- Housing:** Single piece of high purity extruded aluminum, a portion from recycled material.
- Housing End:** Die-cast aluminum, welded in place.
- End Cap:** Die-cast aluminum. Encloses the end of the run.
- Lamps:** F28T5 or F54T5HO as specified. By others. Installed from the ceiling side of the luminaire.
- Ballast:** Electronic. Meets ANSI starting, end-of-life protection and sound rating specifications. Low THD.
- Lens:** Two-piece compound lens consisting of injection-molded, bidirectional prismatic acrylic with an extruded, linear prismatic acrylic lower layer.

Electrical

Connections: Pre-wired with 18 gauge wires and polarized cannon plug connectors for simultaneous mechanical/electrical connection.

Emergency Battery Pack: 90 minute operation, 700 lumens for 54W and 520 lumens for 28W.

Dimming: Advance Mark X standard (no additional wires required); use compatible dimmer. Dimming ballasts using additional control wires (eg Lutron Hi-Lume or ECO-10, Osram) can be used; consult factory and use X4 or X5 power feeds with additional leads, as appropriate. Ballast not to exceed 1.25" (3.18cm) wide by 1.20" (3.05cm) high.

iGEN: F7000 accepts iGEN (DALI) with supplemental 2-wire control technology. Use with X5 power feed.

Power Tray: Code-gauge, die-formed steel, pre-paint white enamel finish; secured by quarter-turn fasteners for easy access to wiring. Holds ballasts, sockets, and wiring. Accepts ballasts up to 1.25" (3.18cm) wide by 1.20" (3.05cm) high.

Factory installed ballast disconnect allows the ballast to be disconnected from and reconnected to incoming power under load without turning the entire circuit off.

Finish

Powder-coated, baked enamel, white or aluminum, as specified.

Mounting

Each module includes two wall-mounting brackets. Bracket hole pattern accommodates junction box (single gang box rotated 90 degrees) or other appropriate mounting method using customer supplied fasteners.

Ordering Instructions

Individual Fixtures:

- Order one MODULE.
- Order one END SET.

Continuous Rows:

- Order the appropriate number of MODULES for the complete run.
- Order one END SET.

Finish

Powder coated White or Aluminum baked enamel. Custom colors are available, consult factory.

Labels

UL, cUL and I.B.E.W.

Job Information

Type:

Job Name:

Cat. No.:

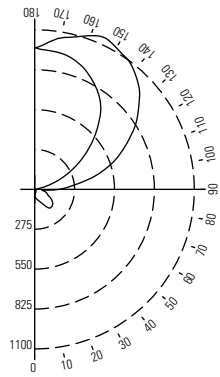
Lamp(s):

Notes:

631 Airport Road, Fall River, MA 02720 • (508) 679-8131 • Fax (508) 674-4710
We reserve the right to change details of design, materials and finish.
www.lightolier.com © 2008 Philips Group • E0808

Performance

CANDLEPOWER CURVE



REPORT NO.: ITL54696.IES
 LAMPS: 1-F54T5
 LUMENS: 5000 each
 EFFICIENCY: 81.6%
 CAT. NO.: FW7751WH214

CANDLEPOWER

ZONE DEG.	0	22	45	67	90
	CANDELAS				
0	510	510	510	510	510
5	519	519	520	516	510
15	523	523	519	508	492
25	508	505	497	479	455
35	477	474	458	435	405
45	431	427	406	378	340
55	375	367	341	307	264
65	304	296	267	228	181
75	223	216	185	142	92
85	151	141	106	62	18
90	132	120	85	42	0
95	164	153	129	104	38
105	378	383	366	341	186
115	656	652	624	504	351
125	894	874	775	650	506
135	988	960	887	774	646
145	1048	1022	957	870	767
155	1056	1039	999	928	860
165	1033	1020	996	957	921
175	972	967	967	959	952
180	950	950	950	950	950

COEFFICIENTS OF UTILIZATION

% EFFECTIVE CEILING CAVITY REFLECTANCE

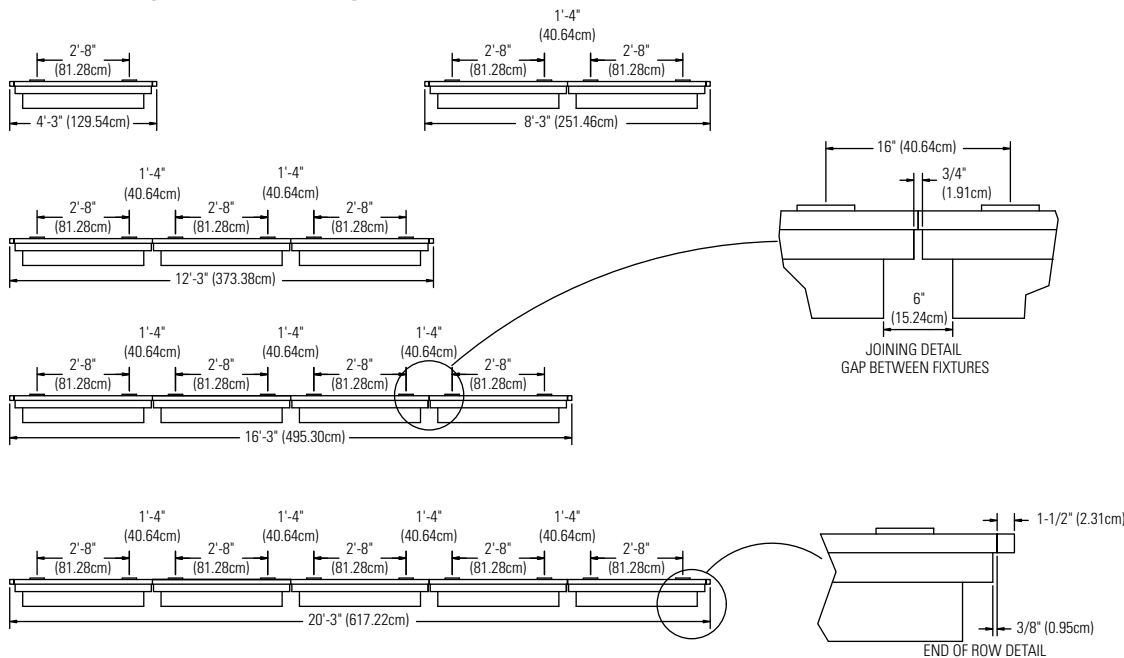
ROOM CAVITY RATIO	WALL REFLECTANCE								
	80%			70%			50%		
	50	30	10	50	30	10	50	30	10
0	83	83	83	76	76	76	60	60	60
1	72	70	66	65	63	60	52	50	48
2	63	58	54	57	53	49	45	43	40
3	55	49	45	50	45	41	40	36	33
4	48	43	37	44	38	34	35	31	28
5	43	37	32	39	33	30	31	27	24
6	39	32	27	35	30	26	28	24	20
7	35	28	24	31	26	22	26	21	18
8	31	26	21	29	23	20	23	19	16
9	29	23	19	26	20	17	21	17	14
10	26	20	16	24	19	15	20	15	13

20% FLOOR CAVITY REFLECTANCE

DISTRIBUTION

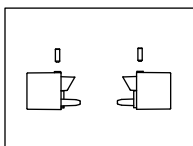
Zone	Lumens	% Lamp	% Luminaire
0 - 90	1279	25.5	31.0
90 - 180	2790	56.1	69.0
0 - 180	4069	81.6	100.0

Fixture Lengths & Mounting Reflected (Plan View)



Recommended mounting is a single gang outlet box rotated 90 degrees at the feed point. Remaining mounting points could be outlet boxes as well, or a couple of holes per mounting point spaced 3-1/4" (8.26cm) at 1-3/4" (4.45cm) above the bottom of fixture.

Mounting Accessories



Wall Mount End Set
 FW7EWH = White
 FW7EAL = Aluminum

Job Information Type:

631 Airport Road, Fall River, MA 02720 • (508) 679-8131 • Fax (508) 674-4710
 We reserve the right to change details of design, materials and finish.
 www.lightolier.com © 2008 Philips Group • E0808