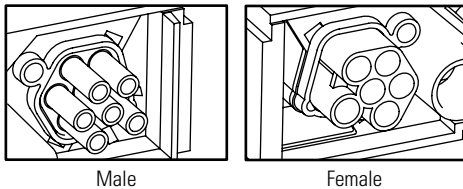


## Feature Specifications

### Electrical

**Connections:** Wiring is via 18 gauge wire. All electrical connections for standard configurations are plug-and-play via 6-wire cannon plug connections. Connections are seated in end castings of fixtures, allowing for simultaneous mechanical/ electrical coupling. Connectors are male/female therefore modules must be installed male to female, starting from the power feed end set.



All static ballasts have the following features:

- Electronic
- High Power Factor
- Class A sound rating
- Metal can

**Emergency Battery Pack:** Emergency Battery packs are designed to operate when normal building power is interrupted. The battery packs operate for a minimum of 90 minutes without any power via a rechargeable battery source. The pack does not utilize the standard static ballast for any of its operation since the pack carries its own pseudo ballast. For this reason, Lightolier does not recommend remote mounting EM Packs because all of the socket wiring would need to carry throughout the powerfeed end set. The EM batteries, even in their largest, most expensive form, operate the fluorescent lamps at only half the lamp rated output. Emergency battery packs are available in the following outputs:

- 450 Lumens (Standard)
- 635 Lumens
- 1100 Lumens
- 1375 Lumens

Emergency battery packs can be used for emergency egress lighting since all listed packs operate for a minimum of 90 minutes, or can be used as momentary lighting for emergency circuit power transitions. Smaller packs are recommended for this purpose.

**Dimming:** T8 and T5HO lamps are dimmed with two wire ballasts. T8 lamps can be dimmed down to 5% and T5HO lamps can be dimmed down to 1%. T5 lamps require 5-wire dimming ballasts and can be dimmed down to 1%. A 5-wire power feed will be required for T5 (non-HO) dimming.

Factory installed ballast disconnect allows the ballast to be disconnected from and reconnected to incoming power under load without turning the entire circuit off.

### Labels Included

UL, cUL, and IBEW

### Features

- 1. Housing:** High purity extruded aluminum, a portion from recycled material. 4" (10.16cm) mitered end caps. No exposed fasteners or hardware.
- 2. Lamping:** 3 T5 fluorescent lamps per 4' (121.92cm) section. Lamps by Lightolier as an option, see ordering information.
- 3. Reflector:** Precision die-formed premium anti-iridescent, highly reflective aluminum.
- 4. Louver:** Parabolic louver, low-iridescent semi-specular anodized aluminum, 32 degree shielding lengthwise. Blades are spaced 2.3" (5.84cm) O.C. and are flush with the bottom face of the housing. Blade height is 1.3" (3.30cm).
- 5. Optional Slotted Top Reflector:** Precision die-formed anti-iridescent, highly reflective aluminum.

### Mountings

Cable suspension is on 48" (121.92cm) and 96" (243.84cm) centers and consists of a 4 1/2" (11.43cm) diameter canopy finished white enamel. A 1/16" (0.16cm) diameter stainless steel aircraft cable accomplishes suspension and is adjustable from 12" (30.48cm) to 36" (91.44cm). Power feed is 18-gauge SJT silver braided cord with a clear jacket. For special circuiting consult factory.

### Finish

Powder coated, baked enamel, white or aluminum, as specified. Custom colors available, consult factory.

### Ordering Instructions

#### Individual Fixtures:

1. Order number of MODULES required.
2. Order one POWER FEED END SET per MODULE.

#### Continuous Rows:

1. Determine run length.
2. Order the appropriate number of MODULES for the complete run.
3. Order one POWER FEED END SET for each run.
4. Order one CABLE ASSEMBLY per MODULE minus one per run.
5. For runs that exceed conductor ampacity ratings order the appropriate number of SINGLE CABLE & CORD SETS.

Job Information	Type:
<b>Job Name:</b>	
<b>Cat. No.:</b>	
<b>Lamp(s):</b>	
<b>Notes:</b>	

631 Airport Road, Fall River, MA 02720 • (508) 679-8131 • Fax (508) 674-4710  
 We reserve the right to change details of design, materials and finish.  
 www.lightolier.com © 2008 Philips Group • C0808

### Module Ordering Information

Family	Series	Lamping & Distribution	Ballast	Lamp	Shielding	Length	Voltage	Finish	Options (Blank)
EG	2	3 = 3 Lamps, Open Top 6 = 3 Lamps, Slotted Top Reflector	See Ballast Chart Below	See Lamp Chart Below	P P = Parabolic Louver	4 = 4' (121.92cm) 8 = 8' (243.84cm)	1 = 120V 2 = 277V	A = Aluminum W = White	4 = 4 through wires 5 = 5 through wires 6 = 6 through wires D = Dual Switch T = Tandem Switch E = Emergency Pack

When ordering no lamps provided by Lightolier, use Lamp code "Z"

### Module Ordering Specifications

#### Lamping and Distribution

3 = 3 Lamp

6 = 3 Lamp, Slotted Top Reflector

#### Ballast Specifications

Code	Lamp Type	Ballast Factor	Start Type	THD %
F	T5	1.00	Program	<10
G	T5HO	1.00	Program	<10
I	Dim T5	1.00/.01	Program	<10
J	Dim T5HO	1.00/.03	Program	<10

**Dimming:** Advance Mark-10 standard (no additional wires required) for T8 and T5HO fixtures. 5-wire dimming required for T5 (non-HO) fixtures. Optional dimming systems: Lutron ECO-10 and Hi-Lume (by others) require 4-wire modules and end sets. Mark-7, ULT, DALI and Lightolier HDF require 5-wire modules and end sets. Energos can accept ballasts not to exceed 1.7" (4.32cm) wide by 1.2" (3.05cm) high.

#### Shielding

P = Parabolic Louver

#### Length

4 = 4ft (48") (121.92cm)  
8 = 8ft (96") (243.84cm)

#### Voltage

1 = 120VAC  
2 = 277VAC

#### Finish

A = Aluminum  
W = White

#### Wiring Options

Blank = Leave blank if ordering standard fixture.

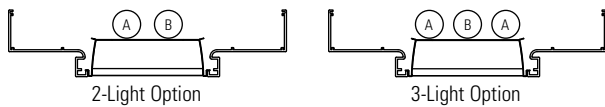
4 = 4 through wires

5 = 5 through wires

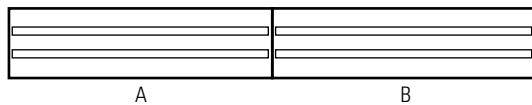
6 = 6 through wires

#### Feature Options

D = Dual Switching (AKA A/B switching)



T = Tandem Switching (also available in 1-lamp configuration)



Both Dual Switch and Tandem Switch fixtures ship with a 4th wire. Be sure to order the appropriate quantity of wires in the power feed.

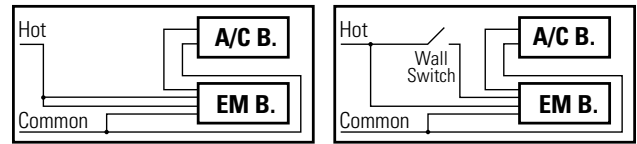
#### Lamping Specifications

Code	Lamp Type	Wattage	Rated Output (Lumens)	Color (K)
M	T5	28	2600*	830
N	T5	28	2600*	835
O	T5	28	2600*	841
P	T5	54	4450*	830
Q	T5	54	4450*	835
R	T5	54	4450*	841

\* 25°C Rating

#### Feature Options (continued)

**E = Emergency Battery Pack (E):** Battery packs provide 90 minutes of operation. Available lamp outputs: 450 Lumens (standard). Optional: 635, 1100 and 1375 Lumens. Standard Emergency wiring is to have Battery Pack operating a single lamp. All EM fixtures are wired as "switched" and include 4th through wire for the wall switch (see diagrams). All fixtures and power feeds in that run should be ordered to include a dedicated 4th through wire to carry the hot power all the way through the run to the EM pack.



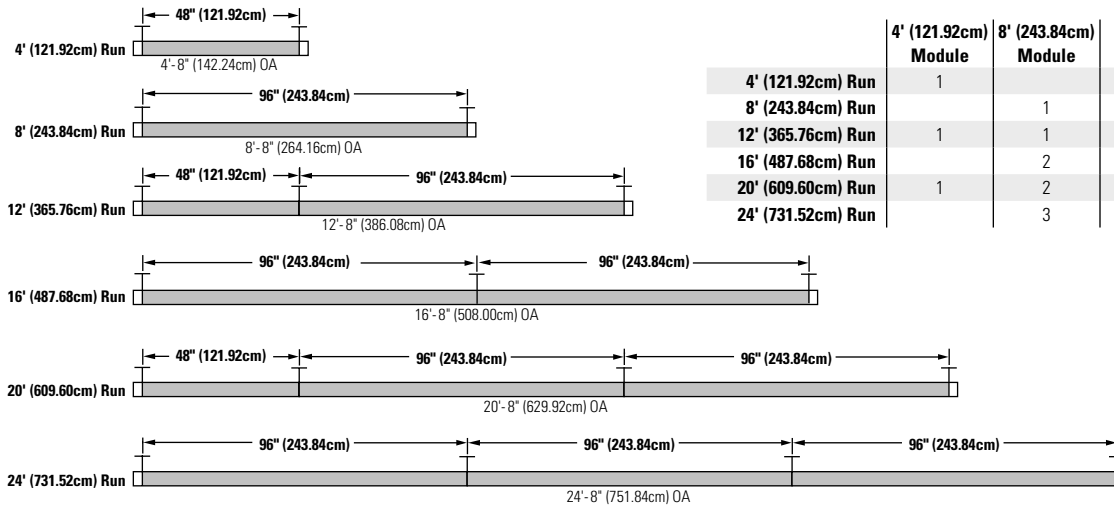
Unswitched

Switched

### Job Information Type:

631 Airport Road, Fall River, MA 02720 • (508) 679-8131 • Fax (508) 674-4710  
We reserve the right to change details of design, materials and finish.  
www.lightolier.com © 2008 Philips Group • C0808

### Fixture Lengths & Mounting Locations



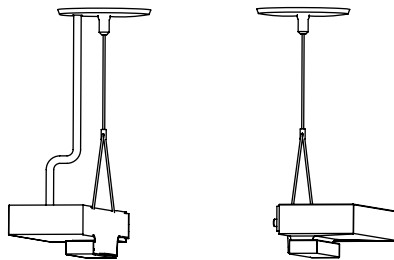
### Suspension and End Set Ordering Illustrations

#### Power Feeds

Consult Lamp and Ballast System data to determine input watt requirements for ballast used on project to determine loading for each run. Multiply the total number of ballasts by the input wattage per ballast, and to determine ampacity divide the total watts by the system voltage. 10 Amps for 3-wire end sets, 7 Amps for 4-wire and 5-wire end sets, maximum.

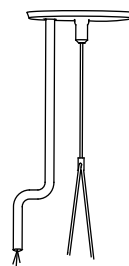
#### Control

Consult appropriate ECS (Energos Control Systems) specification sheet for ordering product utilizing occupancy controls. ECS specification sheet numbers directly correlate to standard Energos specification sheet numbers.



**Power Feed End Set**

- White, 3 Wire Cord: EG2EC36W
- White, 4 Wire Cord: EG2EC36W4
- White, 5 Wire Cord: EG2EC36W5
- Aluminum, 3 Wire Cord: EG2EC36A
- Aluminum, 4 Wire Cord: EG2EC36A4
- Aluminum, 5 Wire Cord: EG2EC36A5

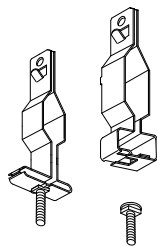


**Cable/Cord Assembly**

- Single Cable & Power Cord: EGCC36
- Single Cable & 4 Wire Power Cord: EGCC36X4
- Single Cable & 5 Wire Power Cord: EGCC36X5



**Cable Assembly**  
Single Cable: EGC36



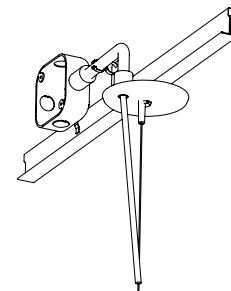
**Ceiling Grid Kit: CGK**

Because most ceilings are white, all canopies ship as white unless specifically ordered otherwise.

Both CGK and CGKP ship with two types of clips (standard and slot T).

For mounting fixtures directly to the T grid, order one CGK per non-power suspension point and one CGKP per powered suspension point.

The CGKP will include a special canopy with flex coupler, grid clips and additional clips to mount the junction box to the top of the grid nearby. J-Box and flex conduit provided by others.



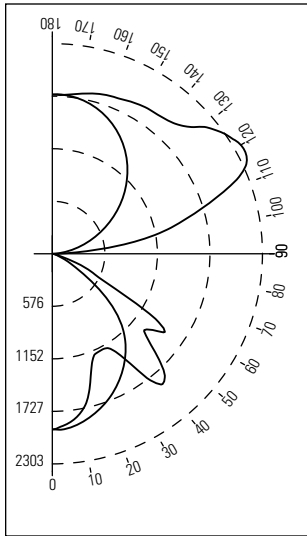
**Ceiling Grid Kit, Power: CGKP**

<b>Job Information</b>	<b>Type:</b>
------------------------	--------------

631 Airport Road, Fall River, MA 02720 • (508) 679-8131 • Fax (508) 674-4710  
 We reserve the right to change details of design, materials and finish.  
 www.lightolier.com © 2008 Philips Group • C0808

### Performance — Three Lamp Fixture With Open Top

Candlepower Curve



Report No.: EG2-6N-GQ.ies  
 Lamps: 3-FP54/835/HO  
 Lumens: 4450  
 Efficiency: 90.1  
 Cat. No.: EG23GQP  
 25°C Rating

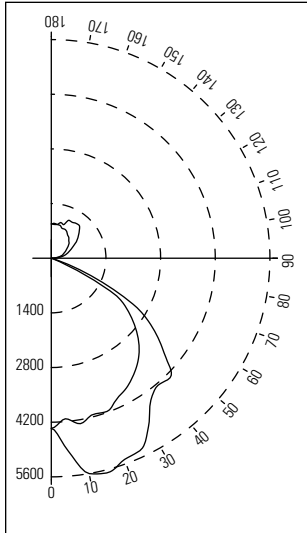
Zone → Degree ↓	Candlepower				
	0	22	45	67	90
180	1689	1689	1689	1689	1689
175	1687	1692	1690	1687	1692
165	1625	1639	1686	1732	1758
155	1506	1559	1667	1757	1799
145	1328	1437	1615	1768	1841
135	1103	1275	1539	1795	1923
125	838	1076	1501	2029	2219
115	562	881	1600	2113	2259
105	286	796	1332	1461	1478
95	61	392	435	471	426
90	0	0	0	0	0
85	0	3	3	3	1
75	4	6	8	10	9
65	89	143	185	308	438
55	448	596	929	1248	1445
45	997	782	1330	1574	1586
35	1331	1113	998	1231	1419
25	1567	1493	1185	1119	1145
15	1743	1718	1638	1550	1485
5	1857	1854	1834	1816	1807
0	1863	1863	1863	1863	1863

		Coefficients Of Utilization								
		% Effective Ceiling Cavity Reflectance			% Wall Reflectance			% Floor Cavity Reflectance		
		80			70			50		
Room Cavity Ratio		50	30	10	50	30	10	50	30	10
	0	93	93	93	84	84	84	67	67	67
	1	82	79	76	74	72	69	59	58	56
	2	72	67	63	65	61	57	53	50	47
	3	64	58	53	58	53	48	47	43	40
	4	56	50	45	51	45	41	41	37	34
	5	50	43	38	46	40	35	37	33	29
	6	45	38	33	41	35	30	33	29	25
	7	40	33	29	37	31	26	30	26	22
	8	36	30	25	33	27	23	27	23	20
	9	33	27	22	30	25	21	25	21	17
10	30	24	20	28	22	18	23	19	16	

Distribution				
Zone	Lumens	% Lamp	% Luminaire	
0-90	4467	30	33	
90-180	9044	60	67	
0-180	13511	90	100	

### Performance — Three Lamp Fixture With Optional Slotted Top Reflector

Candlepower Curve



Report No.: EG2-6D-GQ.ies  
 Lamps: 3-FP54/835/HO  
 Lumens: 4450  
 Efficiency: 75.1  
 Cat. No.: EG26GQP  
 25°C Rating

Zone → Degree ↓	Candlepower				
	0	22	45	67	90
180	866	866	866	866	866
175	856	893	846	947	885
165	858	877	879	927	934
155	807	853	893	982	1058
145	717	799	936	1061	1079
135	624	745	941	1005	1005
125	512	684	789	794	797
115	383	554	577	567	558
105	284	354	361	377	392
95	104	145	148	152	153
90	16	16	18	14	16
85	0	0	2	3	4
75	26	18	6	7	10
65	612	812	1113	1387	1351
55	2395	2716	3085	3122	3169
45	3137	3732	3609	4051	4256
35	3612	4426	4542	4428	4383
25	3917	4918	5031	5253	5343
15	4083	4812	5355	5598	5600
5	4071	4234	4597	4734	4885
0	4297	4297	4297	4297	4297

		Coefficients Of Utilization								
		% Effective Ceiling Cavity Reflectance			% Wall Reflectance			% Floor Cavity Reflectance		
		80			70			50		
Room Cavity Ratio		50	30	10	50	30	10	50	30	10
	0	86	86	86	82	82	82	74	74	74
	1	76	74	72	73	71	69	67	65	64
	2	68	63	60	65	61	58	60	57	54
	3	60	55	50	58	53	49	53	49	46
	4	53	47	43	51	46	42	47	43	40
	5	48	42	37	46	40	36	43	38	34
	6	43	37	32	41	36	31	38	34	30
	7	39	33	28	37	32	28	35	30	26
	8	35	29	25	34	28	25	32	27	24
	9	32	26	22	31	26	22	29	24	21
10	30	24	20	29	23	20	27	22	19	

Distribution				
Zone	Lumens	% Lamp	% Luminaire	
0-90	8842	59	78	
90-180	2426	16	22	
0-180	11267	75	100	

### Job Information Type:

631 Airport Road, Fall River, MA 02720 • (508) 679-8131 • Fax (508) 674-4710  
 We reserve the right to change details of design, materials and finish.  
 www.lightolier.com © 2008 Philips Group • C0808

## Ballast and Lamp Ordering Combinations

Desgn.	Lamp Type (T8 or T5)	Ballast Factor (BF)	Ballast THD (%)	Lamp Rated Wattage	Lamp Rated Output	Lamp Color (Kelvin)	IES Output (Lumens)	System Input Watts	System Efficiency (lum/watt)	System Lamp Life (Hours)	Start Type
FM	T5	1	<10	28	2600	830	2600	31.0	83.9	20000	Program
FN	T5	1	<10	28	2600	835	2600	31.0	83.9	20000	Program
FO	T5	1	<10	28	2600	841	2600	31.0	83.9	20000	Program
GP	H0	1	<10	54	4450	830	4450	58.5	76.1	20000	Program
GQ	H0	1	<10	54	4450	835	4450	58.5	76.1	20000	Program
GR	H0	1	<10	54	4450	841	4450	58.5	76.1	20000	Program
IM	T5 DIM	1.0 / .01	<10	28	2600	830	2600 /26	33.5 / 8	77.6	NA	Program
IN	T5 DIM	1.0 / .01	<10	28	2600	835	2600 /26	33.5 / 8	77.6	NA	Program
IO	T5 DIM	1.0 / .01	<10	28	2600	841	2600 /26	33.5 / 8	77.6	NA	Program
JP	T5HO DIM	1.0 / .03	<10	54	4450	830	4450 /134	63 /12.5	70.6	NA	Program
JQ	T5HO DIM	1.0 / .03	<10	54	4450	835	4450 /134	63 /12.5	70.6	NA	Program
JR	T5HO DIM	1.0 / .03	<10	54	4450	841	4450 /134	63 /12.5	70.6	NA	Program

**Notes:**

\*25°C Rating

All data is per 1 lamp on a two lamp system at 277 VAC. Data is based on Osram Sylvania Specifications  
When ordering no lamps provided by Lightolier, use Lamp code "Z".

Do not alter lumen values or ballast factor light losses when completing calculations using Energos IES files.  
Files have already been adjusted. The lumen value for the lamp (within a Lighting Design program) will be the IES Output value shown on this table.

<b>Job Information</b>	<b>Type:</b>
------------------------	--------------

631 Airport Road, Fall River, MA 02720 • (508) 679-8131 • Fax (508) 674-4710  
We reserve the right to change details of design, materials and finish.  
www.lightolier.com © 2008 Philips Group • C0808