

Complete ordering instructions below.

Ordering Information

| Family | Mounting | Shielding | Configuration | Output | Length (nom.) | Housing | Voltage | Option |
|------------|----------------|----------------|-------------------------|---------------------------------|--|--|----------------------|--|
| CT3 | L | L | C | | | | | |
| CT3 | L = Flangeless | L = Flush Lens | C = 2 Lamp ¹ | H = High Output S = Standard | 2 = 2-foot 4 = 4-foot 8 = 8-foot | U = Indiv. Unit S = Starter J = Joiner T = Telescoping ² | 1 = 120V 2 = 277V | E = EM Pack ³ T = Tandem Switch 2 = Dual Switch 4 = 4 Through Wires 5 = 5 Through Wires |

¹ One lamp extends into adjacent fixture by 2-1/2" (6.35cm) in Starter, Joiner and Telescoping fixtures
² Telescoping fixture ships 85-3/8" (216.85cm), adjustable down to 49-3/8" (125.41cm)
³ EM pack not available in 2-foot or Telescoping fixtures

Features

- Housing:** 20 gauge pre-painted steel
- Bulkhead:** 18 gauge galvanized steel
- Reflector:** semi-specular aluminum
- Trim:** none visible, flangeless installation
- Ballast:** program start electronic
- Lamp:** T5 or T5 HO fluorescent
- Louver:** semi-specular parabolic, 2-1/4" (5.72cm) nominal blade spacing
Optional Extended Continuous Length Lens shown on page 2.

Mounting

Housing is suspended by hanger wires by others.
Optional factory provided Quick-Draw Installation System shown on page 2.

Electrical

Electronic Ballast: Programmed start, 3 conductor, 12 gauge wire.
Color-coded quick connectors allow easy connection for modular fixtures. Factory installed ballast disconnect allows the ballast to be disconnected from and reconnected to incoming power under load without turning the entire circuit off.
Emergency Battery Pack: 450 Lumens @ 90 minimum.

Labels

UL, cUL and IBEW

Ordering Instructions

Individual Fixtures:

- Order number of INDIVIDUAL UNITS required.

Continuous Rows:

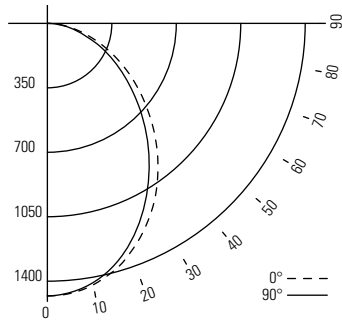
- Determine run length
- Order one Starter fixture
- Order one Telescoping fixture*
- Order remainder of Joiner fixtures

* For best two-lamp effect, use Telescoping fixture at shortest length possible.

| Job Information | Type: |
|------------------|-------|
| Job Name: | |
| Cat. No.: | |
| Lamp(s): | |
| Notes: | |

631 Airport Road, Fall River, MA 02720 • (508) 679-8131 • Fax (508) 674-4710
 We reserve the right to change details of design, materials and finish.
 www.lightolier.com © 2008 Philips Group • D0908

Performance & Quick Calculators



Report No: ITL581672
Cat No: CT3GLCH4U1
Efficiency: 35.0%
Lamps: 2 FQ54W/840/HO
 (Amalgam Lamp)
Lumens: 4900

| ZONE DEG. | Candlepower | | | | |
|-----------|-------------|------|------|------|------|
| | 0 | 22 | 45 | 67 | 90 |
| 180 | 0 | 0 | 0 | 0 | 0 |
| 175 | 0 | 0 | 0 | 0 | 0 |
| 165 | 0 | 0 | 0 | 0 | 0 |
| 155 | 0 | 0 | 0 | 0 | 0 |
| 145 | 0 | 0 | 0 | 0 | 0 |
| 135 | 0 | 0 | 0 | 0 | 0 |
| 125 | 0 | 0 | 0 | 0 | 0 |
| 115 | 0 | 0 | 0 | 0 | 0 |
| 105 | 0 | 0 | 0 | 0 | 0 |
| 95 | 0 | 0 | 0 | 0 | 0 |
| 90 | 0 | 0 | 0 | 0 | 0 |
| 85 | 60 | 56 | 54 | 51 | 50 |
| 75 | 205 | 200 | 191 | 181 | 177 |
| 65 | 386 | 379 | 360 | 344 | 336 |
| 55 | 592 | 583 | 555 | 531 | 520 |
| 45 | 816 | 803 | 775 | 745 | 733 |
| 35 | 1042 | 1030 | 1004 | 975 | 963 |
| 25 | 1240 | 1234 | 1214 | 1195 | 1186 |
| 15 | 1392 | 1390 | 1381 | 1372 | 1369 |
| 5 | 1471 | 1470 | 1469 | 1468 | 1466 |
| 0 | 1480 | 1480 | 1480 | 1480 | 1480 |

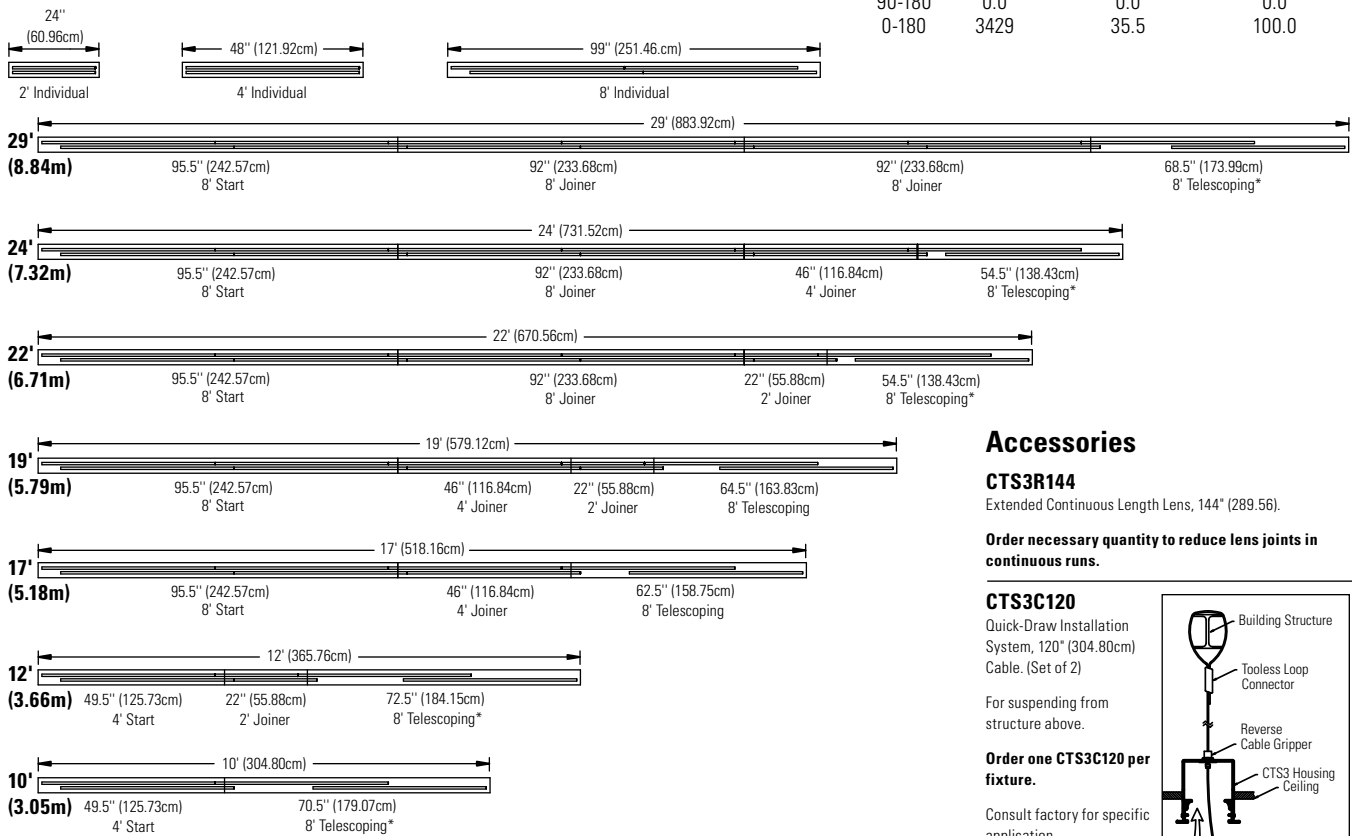
| | | Coefficients of Utilization | | | | | | | | |
|-------------------|----|--|----|----|----|----|----|----|----|----|
| | | % Effective Ceiling Cavity Reflectance | | | | | | | | |
| | | 80 | | | 70 | | | 50 | | |
| | | -% WALL REFLECTANCE | | | | | | | | |
| Room Cavity Ratio | | 50 | 30 | 10 | 50 | 30 | 10 | 50 | 30 | 10 |
| | | 0 | 42 | 42 | 42 | 41 | 41 | 41 | 39 | 39 |
| 1 | 37 | 35 | 34 | 36 | 35 | 33 | 34 | 33 | 32 | |
| 2 | 32 | 30 | 28 | 32 | 29 | 28 | 30 | 29 | 27 | |
| 3 | 28 | 26 | 24 | 28 | 25 | 23 | 27 | 25 | 23 | |
| 4 | 25 | 22 | 20 | 25 | 22 | 20 | 24 | 22 | 20 | |
| 5 | 23 | 20 | 18 | 22 | 20 | 17 | 22 | 19 | 17 | |
| 6 | 21 | 18 | 15 | 20 | 17 | 15 | 20 | 17 | 15 | |
| 7 | 19 | 16 | 14 | 19 | 16 | 14 | 18 | 15 | 14 | |
| 8 | 17 | 14 | 12 | 17 | 14 | 12 | 17 | 14 | 12 | |
| 9 | 16 | 13 | 11 | 16 | 13 | 11 | 15 | 13 | 11 | |
| 10 | 15 | 12 | 10 | 15 | 12 | 10 | 14 | 12 | 10 | |

Floor Cavity Reflectance = 20%

ZONAL LUMEN SUMMARY

| ZONE | LUMENS | % BARELAMP | % LUMINAIRE |
|--------|--------|------------|-------------|
| 0-90 | 3429 | 35.5 | 100.0 |
| 90-180 | 0.0 | 0.0 | 0.0 |
| 0-180 | 3429 | 35.5 | 100.0 |

Sample Runs



* Telescoping fixture ranges from 85-3/8" (216.85cm) to 49-3/8" (125.41cm).
 For best two-lamp effect, use Telescoping fixture in shortest length possible.

Accessories

CTS3R144

Extended Continuous Length Lens, 144" (289.56).

Order necessary quantity to reduce lens joints in continuous runs.

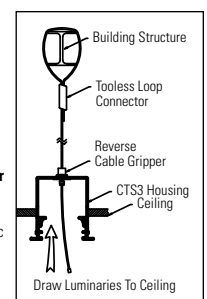
CTS3C120

Quick-Draw Installation System, 120" (304.80cm) Cable. (Set of 2)

For suspending from structure above.

Order one CTS3C120 per fixture.

Consult factory for specific application.



Job Information

Type:

631 Airport Road, Fall River, MA 02720 • (508) 679-8131 • Fax (508) 674-4710
 We reserve the right to change details of design, materials and finish.
 www.lightolier.com © 2008 Philips Group • D0908