

Complete ordering instructions below.

Ordering Information

Family	Mounting	Shielding	Configuration	Output	Length (nom.)	Housing	Voltage	Option
CT3	F	R	A					
CT3	F = Flange	R = Recessed Lens	A = 1 Lamp ¹	H = High Output S = Standard	2 = 2-foot 4 = 4-foot 8 = 8-foot	U = Indiv. Unit S = Starter ² J = Joiner T = Telescoping ³	1 = 120V 2 = 277V	E = EM Pack ⁴ T = Tandem Switch 4 = 4 Through Wires 5 = 5 Through Wires

¹ Lamp is mounted diagonally and extends into adjacent fixture by 2-1/2" (6.35cm) in Starter, Joiner and Telescoping fixtures

² Starter available as 4-foot and 8-foot only

³ Telescoping fixture ships 85-3/8" (216.85cm), adjustable down to 49-3/8" (125.41cm)

⁴ EM pack not available in 2-foot or Telescoping fixtures

Features

- Housing:** 20 gauge pre-painted steel
- Bulkhead:** 18 gauge galvanized steel
- Reflector:** semi-specular aluminum
- Trim:** aluminum extruded, flange 3/4" (1.91cm) width
- Ballast:** program start electronic
- Lamp:** T5 or T5 HO fluorescent
- Lens:** extruded frosted acrylic
Optional Extended Continuous Length Lens shown on page 2.

Mounting

Housing is suspended by hanger wires by others.
Optional factory provided Quick-Draw Installation System shown on page 2.

Electrical

Electronic Ballast: Programmed start, 3 conductor, 12 gauge wire.
Color-coded quick connectors allow easy connection for modular fixtures. Factory installed ballast disconnect allows the ballast to be disconnected from and reconnected to incoming power under load without turning the entire circuit off.
Emergency Battery Pack: 450 Lumens @ 90 minimum.

Labels

UL, cUL and IBEW

Ordering Instructions

Individual Fixtures:

- Order number of INDIVIDUAL UNITS required.

Continuous Rows:

- Determine run length
- Order one Starter fixture
- Order one Telescoping fixture*
- Order remainder of Joiner fixtures

* For best one-lamp effect, use Telescoping fixture at longest length possible.

Job Information

Type:

Job Name:

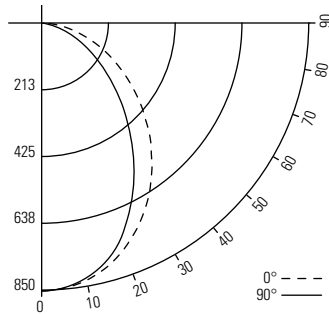
Cat. No.:

Lamp(s):

Notes:

631 Airport Road, Fall River, MA 02720 • (508) 679-8131 • Fax (508) 674-4710
We reserve the right to change details of design, materials and finish.
www.lightolier.com © 2008 Philips Group • D0908

Performance & Quick Calculators



Report No: ITL58168
Cat No: CT3GRAH4U1
Efficiency: 37.1%
Lamps: 1 FQ54W/840/HO
 (Amalgam Lamp)
Lumens: 4900

ZONE DEG.	Candlepower				
	0	22	45	67	90
180	0	0	0	0	0
175	0	0	0	0	0
165	0	0	0	0	0
155	0	0	0	0	0
145	0	0	0	0	0
135	0	0	0	0	0
125	0	0	0	0	0
115	0	0	0	0	0
105	0	0	0	0	0
95	0	0	0	0	0
90	0	0	0	0	0
85	33	14	11	11	11
75	122	94	68	54	49
65	232	203	161	137	130
55	351	326	276	242	230
45	481	464	413	374	359
35	607	599	559	522	508
25	720	714	698	672	661
15	804	802	795	790	787
5	847	848	847	846	845
0	853	853	853	853	853

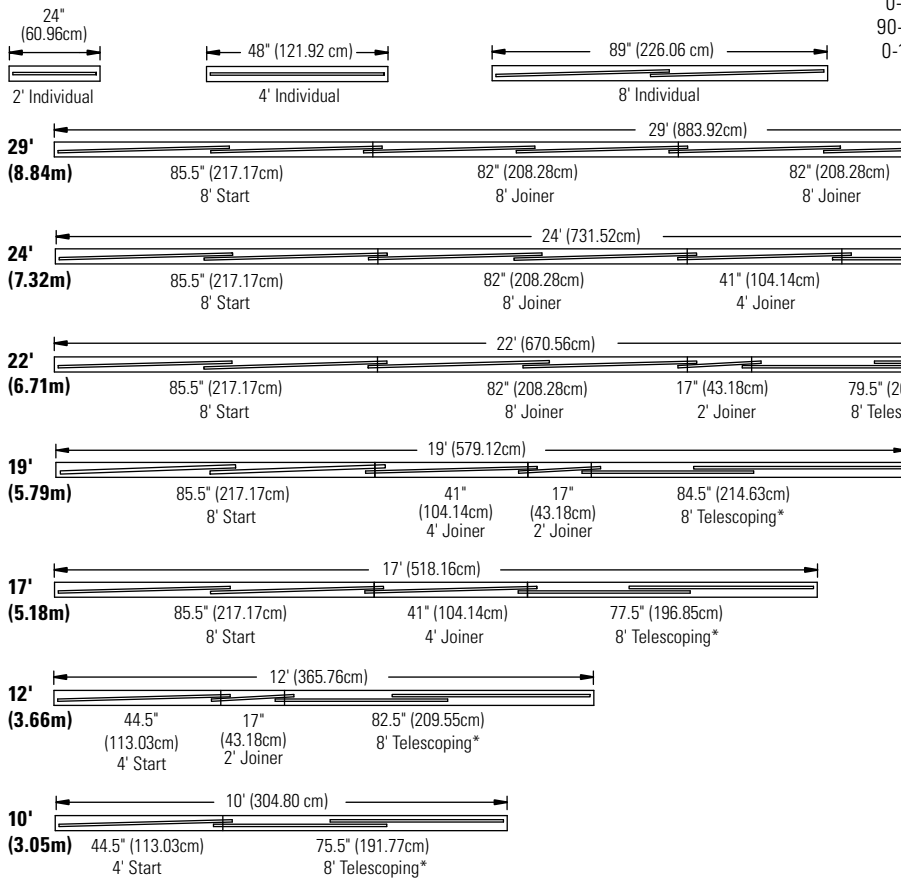
		Coefficients Of Utilization								
		% Effective Ceiling Cavity Reflectance								
		80			70			50		
		-% WALL REFLECTANCE								
Room Cavity Ratio		50	30	10	50	30	10	50	30	10
		0	44	44	44	43	43	43	41	41
1	39	38	37	38	37	36	37	36	35	
2	35	32	30	34	32	30	33	31	29	
3	31	28	26	30	28	26	29	27	25	
4	28	25	22	27	24	22	26	24	22	
5	25	22	19	24	22	19	24	21	19	
6	23	19	17	22	19	17	22	19	17	
7	21	18	15	20	17	15	20	17	15	
8	19	16	14	19	16	14	18	16	14	
9	17	15	13	17	14	13	17	14	12	
10	16	13	11	16	13	11	16	13	11	

Floor Cavity Reflectance = 20%

ZONAL LUMEN SUMMARY

ZONE	LUMENS	% BARELAMP	% LUMINAIRE
0-90	1815	37.1	100.0
90-180	0.0	0.0	0.0
0-180	1815	37.1	100.0

Sample Runs



* Telescoping fixture ranges from 85-3/8" (216.85cm) to 49-3/8" (125.41cm).
 For best one-lamp effect, use Telescoping fixture in longest length possible.

Accessories

CTS3R144

Extended Continuous Length Lens, 144" (289.56).

Order necessary quantity to reduce lens joints in continuous runs.

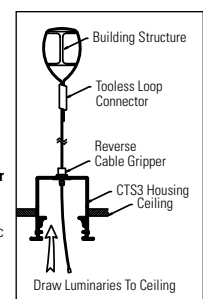
CTS3C120

Quick-Draw Installation System, 120" (304.80cm) Cable. (Set of 2)

For suspending from structure above.

Order one CTS3C120 per fixture.

Consult factory for specific application.



Job Information

Type:

631 Airport Road, Fall River, MA 02720 • (508) 679-8131 • Fax (508) 674-4710
 We reserve the right to change details of design, materials and finish.
 www.lightolier.com © 2008 Philips Group • D0908