

Complete ordering instructions below.

### Ordering Information

Family	Mounting	Shielding	Configuration	Output	Length (nom.)	Housing	Voltage	Option
<b>CT3</b>	<b>L</b>	<b>R</b>	<b>C</b>					
CT3	L = Flangeless	R = Recessed Lens	C = 2 Lamp <sup>1</sup>	H = High Output S = Standard	2 = 2-foot 4 = 4-foot 8 = 8-foot	U = Indiv. Unit S = Starter J = Joiner T = Telescoping <sup>2</sup>	1 = 120V 2 = 277V	E = EM Pack <sup>3</sup> T = Tandem Switch 2 = Dual Switch 4 = 4 Through Wires 5 = 5 Through Wires

<sup>1</sup> One lamp extends into adjacent fixture by 2-1/2" (6.35cm) in Starter, Joiner and Telescoping fixtures

<sup>2</sup> Telescoping fixture ships 85-3/8" (216.85cm), adjustable down to 49-3/8" (125.41cm)

<sup>3</sup> EM pack not available in 2-foot or Telescoping fixtures

### Features

- Housing:** 20 gauge pre-painted steel
- Bulkhead:** 18 gauge galvanized steel
- Reflector:** semi-specular aluminum
- Trim:** none visible, trimless installation
- Ballast:** program start electronic
- Lamp:** T5 or T5 HO fluorescent
- Lens:** extruded frosted acrylic  
Optional Extended Continuous Length Lens shown on page 2.

### Mounting

Housing is suspended by hanger wires by others.  
Optional factory provided Quick-Draw Installation System shown on page 2.

### Electrical

**Electronic Ballast:** Programmed start, 3 conductor, 12 gauge wire.  
Color-coded quick connectors allow easy connection for modular fixtures. Factory installed ballast disconnect allows the ballast to be disconnected from and reconnected to incoming power under load without turning the entire circuit off.  
**Emergency Battery Pack:** 450 Lumens @ 90 minimum.

### Labels

UL, cUL and IBEW

### Ordering Instructions

#### Individual Fixtures:

- Order number of INDIVIDUAL UNITS required.

#### Continuous Rows:

- Determine run length
- Order one Starter fixture
- Order one Telescoping fixture\*
- Order remainder of Joiner fixtures

\* For best two-lamp effect, use Telescoping fixture at shortest length possible.

### Job Information

### Type:

**Job Name:**

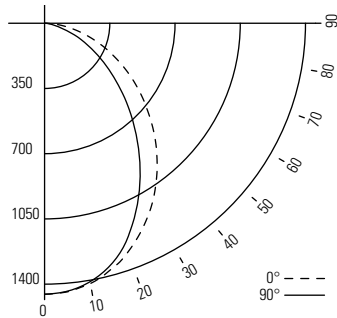
**Cat. No.:**

**Lamp(s):**

**Notes:**

631 Airport Road, Fall River, MA 02720 • (508) 679-8131 • Fax (508) 674-4710  
We reserve the right to change details of design, materials and finish.  
www.lightolier.com © 2008 Philips Group • D0908

## Performance & Quick Calculators



**Report No:** ITL58171  
**Cat No:** CT3GRCH4U1  
**Efficiency:** 32.2%  
**Lamps:** 2 FQ54W/840/HO  
 (Amalgam Lamp)  
**Lumens:** 4900

ZONE DEG.	Candlepower				
	0	22	45	67	90
180	0	0	0	0	0
175	0	0	0	0	0
165	0	0	0	0	0
155	0	0	0	0	0
145	0	0	0	0	0
135	0	0	0	0	0
125	0	0	0	0	0
115	0	0	0	0	0
105	0	0	0	0	0
95	0	0	0	0	0
90	0	0	0	0	0
85	60	23	20	19	19
75	217	167	119	92	83
65	404	357	286	242	228
55	612	574	491	432	412
45	830	804	723	659	635
35	1043	1030	969	910	889
25	1229	1223	1199	1160	1144
15	1369	1369	1360	1351	1349
5	1446	1445	1444	1443	1443
0	1454	1454	1454	1454	1454

### Coefficients Of Utilization

% Effective Ceiling Cavity Reflectance

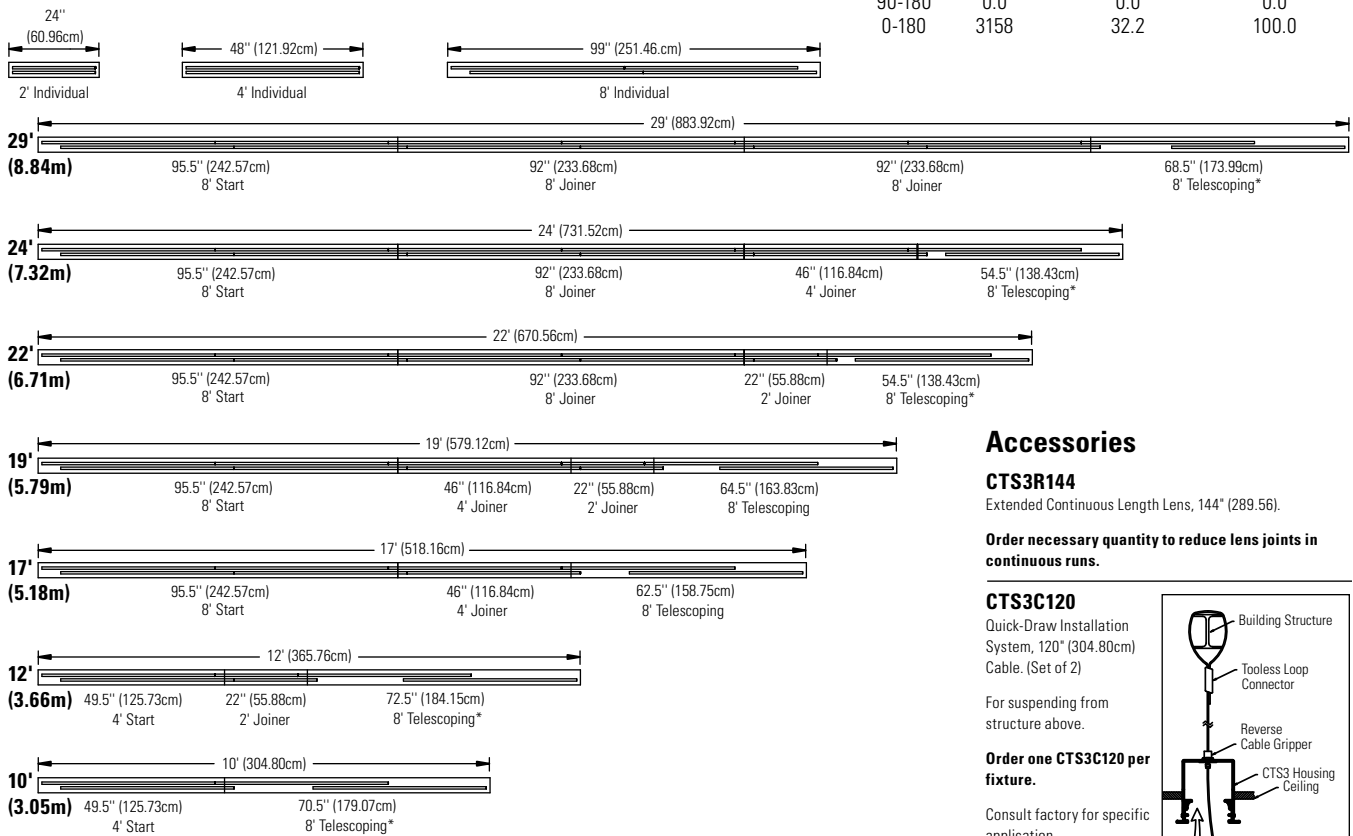
Room Cavity Ratio	% Effective Ceiling Cavity Reflectance								
	80			70			50		
	-% WALL REFLECTANCE								
	50	30	10	50	30	10	50	30	10
0	38	38	38	37	37	37	36	36	36
1	34	33	32	33	32	31	32	31	30
2	30	28	26	30	28	26	28	27	26
3	27	24	22	26	24	22	25	23	22
4	24	21	19	24	21	19	23	21	19
5	22	19	17	21	19	17	21	18	17
6	20	17	15	19	17	15	19	16	15
7	18	15	13	18	15	13	17	15	13
8	16	14	12	16	14	12	16	13	12
9	15	13	11	15	12	11	15	12	11
10	14	12	10	14	11	10	14	11	10

Floor Cavity Reflectance = 20%

### ZONAL LUMEN SUMMARY

ZONE	LUMENS	% BARELAMP	% LUMINAIRE
0-90	3158	32.2	100.0
90-180	0.0	0.0	0.0
0-180	3158	32.2	100.0

## Sample Runs



\* Telescoping fixture ranges from 85-3/8" (216.85cm) to 49-3/8" (125.41cm).  
 For best two-lamp effect, use Telescoping fixture in shortest length possible.

## Accessories

### CTS3R144

Extended Continuous Length Lens, 144" (289.56).

Order necessary quantity to reduce lens joints in continuous runs.

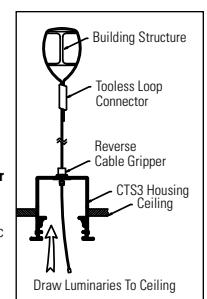
### CTS3C120

Quick-Draw Installation System, 120" (304.80cm) Cable. (Set of 2)

For suspending from structure above.

Order one CTS3C120 per fixture.

Consult factory for specific application.



## Job Information

## Type:

631 Airport Road, Fall River, MA 02720 • (508) 679-8131 • Fax (508) 674-4710  
 We reserve the right to change details of design, materials and finish.  
 www.lightolier.com © 2008 Philips Group • D0908