

Complete ordering instructions below.

Ordering Information

Family	Mounting	Shielding	Configuration	Output	Length (nom.)	Housing	Voltage	Option
CT3	G	L	C					
CT3	G = Grid Mount	L = Flush Lens	C = 2 Lamp ¹	H = High Output S = Standard	2 = 2-foot 4 = 4-foot 8 = 8-foot	U = Individ. Unit ² S = Starter J = Joiner T = Telescoping ³	1 = 120V 2 = 277V	E = EM Pack ⁴ T = Tandem Switch 2 = Dual Switch 4 = 4 Through Wires 5 = 5 Through Wires

¹ One lamp extends into adjacent fixture by 2-1/2" (6.35cm) in Starter, Joiner and Telescoping fixtures
² 8-foot Individual Unit not available in Grid mount
³ Telescoping fixture ships 85-3/8" (216.85cm), adjustable down to 49-3/8" (125.41cm)
⁴ EM pack not available in 2-foot or Telescoping fixtures

Features

- Housing:** 20 gauge pre-painted steel
- Bulkhead:** 18 gauge galvanized steel
- Reflector:** semi-specular aluminum
- Trim:** none visible, fixture drops into grid system by others
- Ballast:** program start electronic
- Lamp:** T5 or T5 HO fluorescent
- Lens:** extruded frosted acrylic
Optional Extended Continuous Length Lens shown on page 2.

Mounting

Housing is suspended by hanger wires by others. Compatible with standard and slot T grid systems. Optional factory provided Quick-Draw Installation System shown on page 2.

Electrical

Electronic Ballast: Programmed start, 3 conductor, 12 gauge wire. Color-coded quick connectors allow easy connection for modular fixtures. Factory installed ballast disconnect allows the ballast to be disconnected from and reconnected to incoming power under load without turning the entire circuit off.
Emergency Battery Pack: 450 Lumens @ 90 minimum.

Labels

UL, cUL and IBEW

Ordering Instructions

Individual Fixtures:

- Order number of INDIVIDUAL UNITS required.

Continuous Rows:

- Determine run length
- Order one Starter fixture
- Order one Telescoping fixture*
- Order remainder of Joiner fixtures

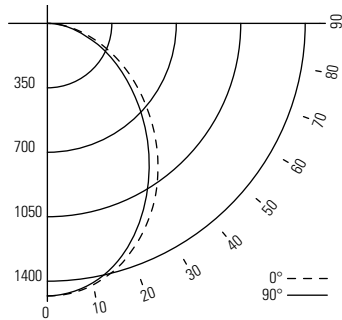
* For best two-lamp effect, use Telescoping fixture at shortest length possible.

Continuous runs only - Prior to installing CTS3 in a grid ceiling, the installing contractor must ensure that the fixture will set into two main runners, spaced 4" (10.16cm) on center. No grid cross members are required except at the beginning and end of the run.

Job Information	Type:
Job Name:	
Cat. No.:	
Lamp(s):	
Notes:	

631 Airport Road, Fall River, MA 02720 • (508) 679-8131 • Fax (508) 674-4710
 We reserve the right to change details of design, materials and finish.
 www.lightolier.com © 2008 Philips Group • E0908

Performance & Quick Calculators



Report No: ITL581672
Cat No: CT3GLCH4U1
Efficiency: 35.0%
Lamps: 2 FQ54W/840/HO
 (Amalgam Lamp)
Lumens: 4900

ZONE DEG.	Candlepower				
	0	22	45	67	90
180	0	0	0	0	0
175	0	0	0	0	0
165	0	0	0	0	0
155	0	0	0	0	0
145	0	0	0	0	0
135	0	0	0	0	0
125	0	0	0	0	0
115	0	0	0	0	0
105	0	0	0	0	0
95	0	0	0	0	0
90	0	0	0	0	0
85	60	56	54	51	50
75	205	200	191	181	177
65	386	379	360	344	336
55	592	583	555	531	520
45	816	803	775	745	733
35	1042	1030	1004	975	963
25	1240	1234	1214	1195	1186
15	1392	1390	1381	1372	1369
5	1471	1470	1469	1468	1466
0	1480	1480	1480	1480	1480

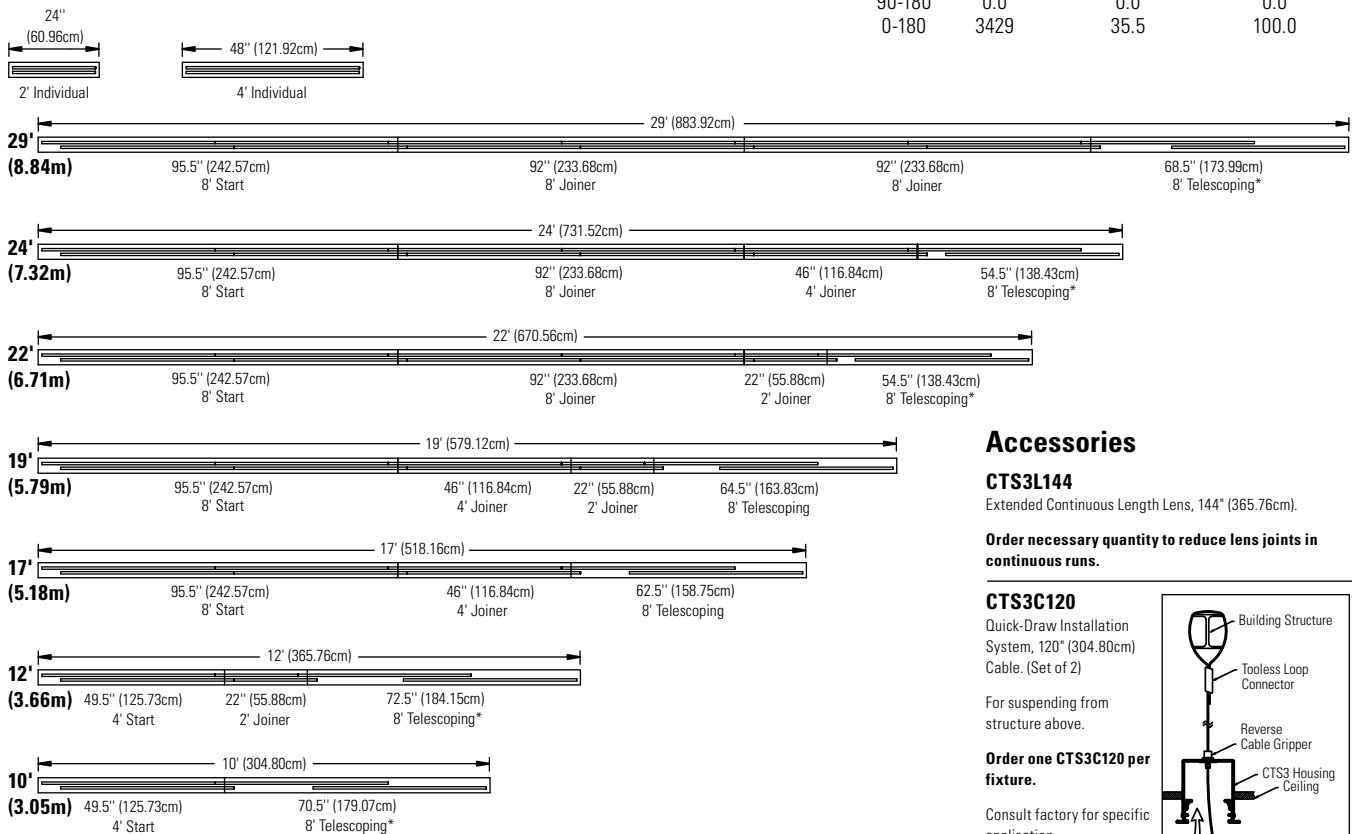
Coefficients of Utilization									
% Effective Ceiling Cavity Reflectance									
% WALL REFLECTANCE									
Room Cavity Ratio	80			70			50		
	50	30	10	50	30	10	50	30	10
0	42	42	42	41	41	41	39	39	39
1	37	35	34	36	35	33	34	33	32
2	32	30	28	32	29	28	30	29	27
3	28	26	24	28	25	23	27	25	23
4	25	22	20	25	22	20	24	22	20
5	23	20	18	22	20	17	22	19	17
6	21	18	15	20	17	15	20	17	15
7	19	16	14	19	16	14	18	15	14
8	17	14	12	17	14	12	17	14	12
9	16	13	11	16	13	11	15	13	11
10	15	12	10	15	12	10	14	12	10

Floor Cavity Reflectance = 20%

ZONAL LUMEN SUMMARY

ZONE	LUMENS	% BARELAMP	% LUMINAIRE
0-90	3429	35.5	100.0
90-180	0.0	0.0	0.0
0-180	3429	35.5	100.0

Sample Runs



* Telescoping fixture ranges from 85-3/8" (216.85cm) to 49-3/8" (125.41cm).
 For best two-lamp effect, use Telescoping fixture in shortest length possible.

Accessories

CTS3L144

Extended Continuous Length Lens, 144" (365.76cm).

Order necessary quantity to reduce lens joints in continuous runs.

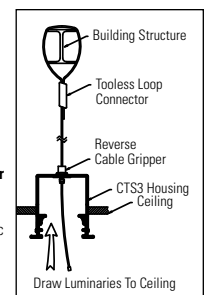
CTS3C120

Quick-Draw Installation System, 120" (304.80cm) Cable. (Set of 2)

For suspending from structure above.

Order one CTS3C120 per fixture.

Consult factory for specific application.



Job Information

Type:

631 Airport Road, Fall River, MA 02720 • (508) 679-8131 • Fax (508) 674-4710
 We reserve the right to change details of design, materials and finish.
 www.lightolier.com © 2008 Philips Group • E0908