

Complete ordering instructions below.

Ordering Information

Family	Mounting	Shielding	Configuration	Output	Length (nom.)	Housing	Voltage	Option
CT3	G	L	A					
CT3	G = Grid Mount	L = Flush Lens	A = 1 Lamp ¹	H = High Output S = Standard	2 = 2-foot 4 = 4-foot 8 = 8-foot	U = Indiv. Unit ² S = Starter ³ J = Joiner T = Telescoping ⁴	1 = 120V 2 = 277V	E = EM Pack ⁵ T = Tandem Switch 4 = 4 Through Wires 5 = 5 Through Wires

¹ Lamp is mounted diagonally and extends into adjacent fixture by 2-1/2" (6.35cm) in Starter, Joiner and Telescoping fixtures

² 8-foot Individual Unit not available in Grid Mount

³ Starter available as 4-foot and 8-foot only

⁴ Telescoping fixture ships 85-3/8" (216.85cm), adjustable down to 49-3/8" (125.41cm)

⁵ EM pack not available in 2-foot or Telescoping fixtures

Features

- Housing:** 20 gauge pre-painted steel
- Bulkhead:** 18 gauge galvanized steel
- Reflector:** semi-specular aluminum
- Trim:** none visible, fixture drops into grid system by others
- Ballast:** program start electronic
- Lamp:** T5 or T5 HO fluorescent
- Lens:** extruded frosted acrylic
Optional Extended Continuous Length Lens shown on page 2.

Mounting

Housing is suspended by hanger wires by others. Compatible with standard and slot T grid systems. Optional factory provided Quick-Draw Installation System shown on page 2.

Electrical

Electronic Ballast: Programmed start, 3 conductor, 12 gauge wire. Color-coded quick connectors allow easy connection for modular fixtures. Factory installed ballast disconnect allows the ballast to be disconnected from and reconnected to incoming power under load without turning the entire circuit off.
Emergency Battery Pack: 450 Lumens @ 90 minimum.

Labels

UL, cUL and IBEW

Ordering Instructions

Individual Fixtures:

- Order number of INDIVIDUAL UNITS required.

Continuous Rows:

- Determine run length
- Order one Starter fixture
- Order one Telescoping fixture*
- Order remainder of Joiner fixtures

* For best one-lamp effect, use Telescoping fixture at longest length possible.

Continuous runs only - Prior to installing CTS3 in a grid ceiling, the installing contractor must ensure that the fixture will set into two main runners, spaced 4" (10.16cm) on center. No grid cross members are required except at the beginning and end of the run.

Job Information

Type:

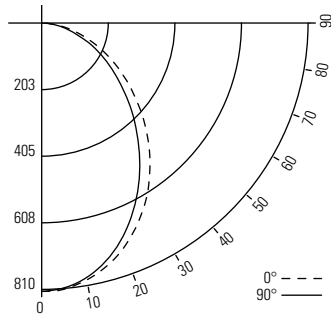
Job Name:

Cat. No.:

Lamp(s):

Notes:

Performance & Quick Calculators



Report No: ITL58167
Cat No: CT3GLAH4U1
Efficiency: 37.8%
Lamps: 1 FQ54W/840/HO
 (Amalgam Lamp)
Lumens: 4900

ZONE DEG.	Candlepower				
	0	22	45	67	90
180	0	0	0	0	0
175	0	0	0	0	0
165	0	0	0	0	0
155	0	0	0	0	0
145	0	0	0	0	0
135	0	0	0	0	0
125	0	0	0	0	0
115	0	0	0	0	0
105	0	0	0	0	0
95	0	0	0	0	0
90	0	0	0	0	0
85	31	29	26	24	24
75	111	107	101	94	91
65	210	205	191	180	176
55	323	316	297	282	275
45	446	438	418	399	391
35	571	564	546	528	520
25	682	677	665	653	647
15	765	764	759	753	751
5	812	810	810	809	808
0	816	816	816	816	816

Coefficients of Utilization

% Effective Ceiling Cavity Reflectance

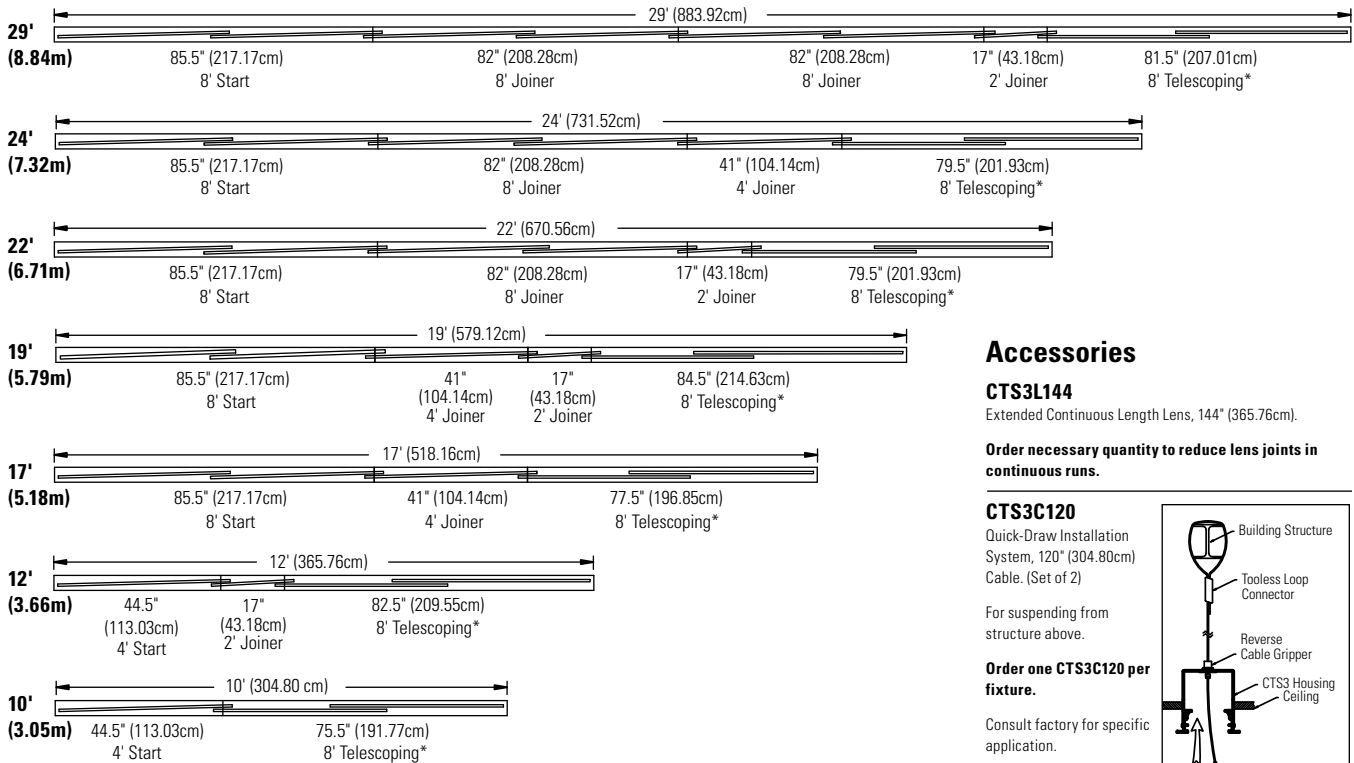
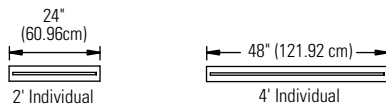
Room Cavity Ratio	% Effective Ceiling Cavity Reflectance								
	80			70			50		
	-% WALL REFLECTANCE								
	50	30	10	50	30	10	50	30	10
0	45	45	45	44	44	44	42	42	42
1	40	38	37	39	37	36	37	36	35
2	35	32	30	34	32	30	33	31	29
3	31	28	26	30	28	25	29	27	25
4	28	24	22	27	24	22	26	24	22
5	25	22	19	24	21	19	24	21	19
6	22	19	17	22	19	17	21	19	17
7	20	17	15	20	17	15	20	17	15
8	19	16	14	19	16	13	18	15	13
9	17	14	12	17	14	12	17	14	12
10	16	13	11	16	13	11	15	13	11

Floor Cavity Reflectance = 20%

ZONAL LUMEN SUMMARY

ZONE	LUMENS	% BARELAMP	% LUMINAIRE
0-90	1854	37.8	100.0
90-180	0.0	0.0	0.0
0-180	1854	37.8	100.0

Sample Runs



* Telescoping fixture ranges from 85-3/8" (216.85cm) to 49-3/8" (125.41cm).
 For best one-lamp effect, use Telescoping fixture in longest length possible.

Accessories

CTS3L144

Extended Continuous Length Lens, 144" (365.76cm).

Order necessary quantity to reduce lens joints in continuous runs.

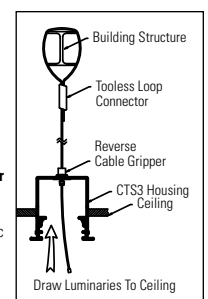
CTS3C120

Quick-Draw Installation System, 120" (304.80cm) Cable. (Set of 2)

For suspending from structure above.

Order one CTS3C120 per fixture.

Consult factory for specific application.



Job Information

Type:

631 Airport Road, Fall River, MA 02720 • (508) 679-8131 • Fax (508) 674-4710
 We reserve the right to change details of design, materials and finish.
 www.lightolier.com © 2008 Philips Group • E0908