

Ordering Information

Family	Shielding	Length	Lamps	Lamp Type	Ballast Factor	Voltage	Housing	Option
A	<input type="checkbox"/>	<input type="checkbox"/>	2	T8	<input type="checkbox"/>	<input type="checkbox"/>	<input type="checkbox"/>	<input type="checkbox"/>
Aletta	RC = Radial w/ Curved Shield RW = Radial w/ Wing Shield	2 = 2' (60.96cm) 4 = 4' (121.92cm)	2 = 2 Lamps	T8 = T8 Standard Output	71 = .71 78 = .78 88 = .88 10 = *1.0 Dimming and Static 12 = *1.2 Step Dimming	1 = 120v 2 = 277v 3 = 347v	U = Individual Unit S = Starter J = Joiner E = Ender	D = Dimming E = EM Pack 2 = 2 Circuit 4 = 4 Through Wire 5 = 5 Through Wire

** For dimming, use "D" option. If "D" is not selected, ballast will be static.*

Features

- Housing:** 23 gauge pre-painted steel. 20 gauge available, consult factory.
- Lamp:** Two T8. (by others)
- Faux Housing:** Extruded Frosty acrylic.
- Shield:** 24 gauge CRS powder painted white with 1/8" (0.32cm) x 5/8" (1.59cm) piercing on 3/16" (0.48cm) ctrs with .010" (0.25cm) opal overlay. Wings are separated by .020" (0.51cm) opal shield.
- Performance Kick Reflector:** .020" (0.51cm) 95%-98% reflective, UV resistant polypropylene.
- Trim:** Extruded aluminum trim, painted white, interfaces with ceiling grid or plaster frame by others.

Electrical

Ballasts are electronic and high power factor. Dimming ballasts are available on many lamp types, please consult factory regarding specific applications. 1325 max lumen battery pack is standard. See application table on page 2 for output with specific lamp types. Continuous luminaires utilize 12 gauge through wires. Factory installed ballast disconnect allows the ballast to be disconnected from and reconnected to incoming power under load without turning the entire circuit off.

Mounting

Housing is suspended by hanger wires and laid into standard or slot-T grid ceiling. Mounting accessory available for drywall installations (see page 2).

Labels

UL, cUL and I.B.E.W.

Ordering Instructions

Individual Fixtures:

- Order quantity of Individual Units required.

Continuous Runs:

- Order one Starter and one Ender fixture per run.
- Order appropriate quantity of Joiner fixtures.

Continuous runs only - Prior to installing Aletta in a grid ceiling, the installing contractor must ensure that the fixture will set into two main runners, spaced 2' (60.96cm) on center. No grid cross members are required except at the beginning and end of the run.

Job Information

Type:

Job Name:

Cat. No.:

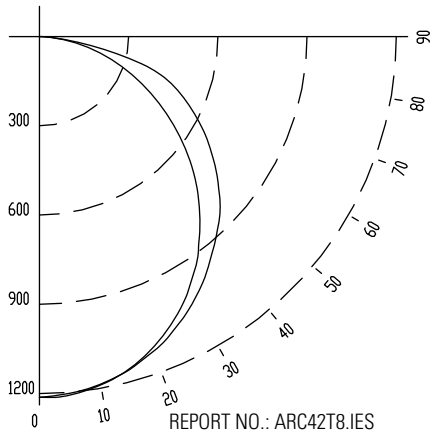
Lamp(s):

Notes:

631 Airport Road, Fall River, MA 02720 • (508) 679-8131 • Fax (508) 674-4710
We reserve the right to change details of design, materials and finish.
www.lightolier.com © 2008 Philips Group • C0808

Curved Performance

CANDLEPOWER CURVE



REPORT NO.: ARC42T8.IES
 LAMPS: 2 F032/835
 LUMENS: 2950
 EFFICIENCY: 60.7%

ZONE	CANDLEPOWER				
	0	22	45	67	90
DEG.	CANDELAS				
90	0	0	0	0	0
85	48	68	58	54	55
75	209	248	308	351	360
65	383	418	481	536	558
55	571	594	651	695	713
45	722	769	802	840	857
35	924	929	950	970	976
25	1060	1061	1071	1079	1081
15	1159	1158	1160	1162	1161
5	1209	1208	1207	1205	1203
0	1212	1212	1212	1212	1212

COEFFICIENTS OF UTILIZATION
 % EFFECTIVE CEILING CAVITY REFLECTANCE

ROOM CAVITY RATIO	WALL REFLECTANCE								
	80			70			50		
	70	50	30	70	50	30	50	30	10
0	72	72	72	71	71	71	67	67	67
1	66	63	60	64	61	59	59	57	55
2	60	54	50	58	53	49	51	48	45
3	54	47	52	63	47	42	45	41	37
4	49	42	36	48	41	36	40	35	32
5	45	37	32	44	37	31	35	31	27
6	42	34	28	41	33	28	32	27	24
7	19	30	25	38	30	25	27	22	19
8	36	28	23	35	27	22	27	22	19
9	34	25	20	33	25	20	24	20	17
10	32	24	19	31	23	19	23	18	15

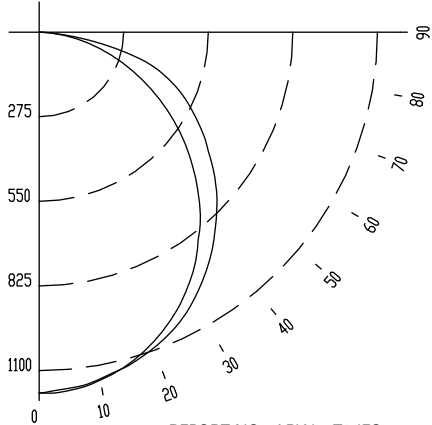
20% FLOOR CAVITY REFLECTANCE

DISTRIBUTION

Zone	Lumens	% Lamp	% Luminaire
0-90	3582	60.7	100
0-180	3582	60.7	100

Wing Performance

CANDLEPOWER CURVE



REPORT NO.: ARW42T8.IES
 LAMPS: 2 F032/835
 LUMENS: 2950
 EFFICIENCY: 58.4%

ZONE	CANDLEPOWER				
	0	22	45	67	90
DEG.	CANDELAS				
90	0	0	0	0	0
85	46	70	64	57	50
75	207	233	290	336	346
65	373	402	454	505	530
55	554	576	617	657	671
45	730	745	778	804	817
35	892	899	923	941	947
25	1024	1026	1037	1052	1055
15	1118	1118	1119	1122	1122
5	1168	1167	1165	1164	1161
0	1173	1173	1173	1173	1173

COEFFICIENTS OF UTILIZATION
 % EFFECTIVE CEILING CAVITY REFLECTANCE

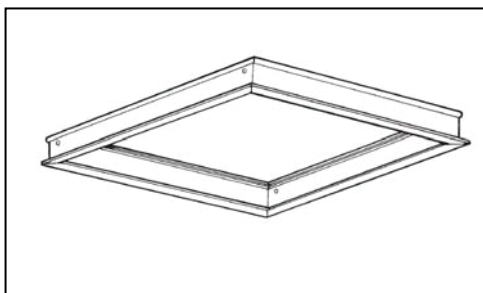
ROOM CAVITY RATIO	WALL REFLECTANCE								
	80			70			50		
	70	50	30	70	50	30	50	30	10
0	70	70	70	68	68	68	65	65	65
1	63	60	58	62	59	57	56	55	53
2	57	52	48	56	51	47	49	46	43
3	52	46	41	51	45	40	43	39	36
4	48	40	35	46	40	35	38	34	30
5	44	36	31	42	35	30	34	30	26
6	40	32	27	39	32	27	31	26	23
7	37	29	24	36	29	24	28	24	20
8	35	27	22	34	26	22	26	21	18
9	33	25	20	32	24	20	24	19	16
10	30	23	18	30	22	18	22	18	15

20% FLOOR CAVITY REFLECTANCE

DISTRIBUTION

Zone	Lumens	% Lamp	% Luminaire
0-90	3446	58.4	100
0-180	3446	58.4	100

Mounting Accessory



Drywall Conversion Kit

For Individual Units only

FK92X2 – Conversion Kit for 2' (60.96cm) Unit

FK92X4 – Conversion Kit for 4' (121.92cm) Unit

EM Pack Output Table

Lamp Length	Lamp Type	Lamp Rated Output	Lamp Wattage	Battery Lumen Output
4' (121.92cm)	T5HO	4450*	54	1250*
4' (121.92cm)	T5	2600*	28	1325*
4' (121.92cm)	T8	2950	32	1100
2' (60.96cm)	T5HO	1750*	24	725*
2' (60.96cm)	T5	1200*	14	750*
2' (60.96cm)	T8	1350	17	650

* 25°C Rating

Job Information Type:

631 Airport Road, Fall River, MA 02720 • (508) 679-8131 • Fax (508) 674-4710
 We reserve the right to change details of design, materials and finish.
 www.lightolier.com © 2008 Philips Group • C0708