

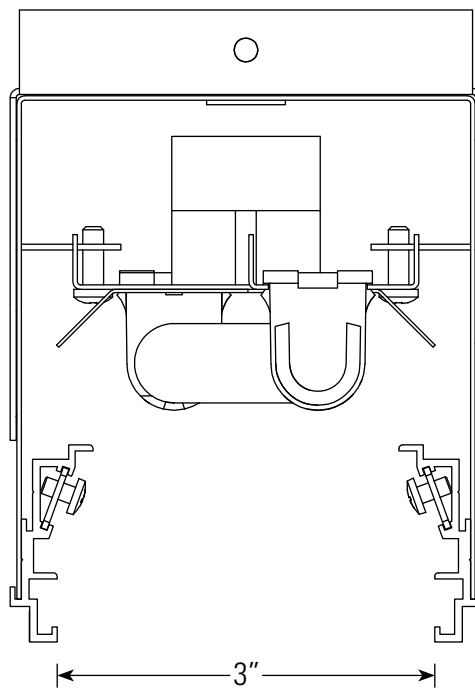
READ AND UNDERSTAND THESE INSTRUCTIONS BEFORE PROCEEDING.  
RETAIN THESE INSTRUCTIONS FOR MAINTENANCE REFERENCE.

This fixture is intended for installation in accordance with the National Electrical Code and local regulations. To assure full compliance with local codes and regulations, check with your local electrical inspector before installation. To prevent electrical shock, turn off electricity at electrical panel before proceeding.

DO NOT INSTALL THIS SYSTEM IN A WET OR DAMP LOCATION.  
DO NOT ENERGIZE ANYTHING OTHER THAN THE FIXTURES IN THE SYSTEM.

CONTRACTOR IS RESPONSIBLE FOR ADEQUATELY REINFORCING CEILING TO SUPPORT FIXTURE WEIGHT.

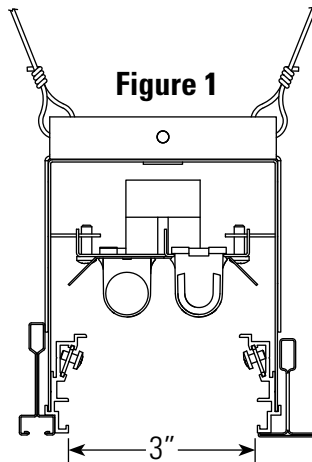
CONTINUOUS RUNS ONLY - PRIOR TO INSTALLING CTS3 IN A GRID CEILING, THE INSTALLING CONTRACTOR MUST ENSURE THAT THE FIXTURE WILL SET INTO TWO MAIN RUNNERS, SPACED 4" ON CENTER. NO GRID CROSS MEMBERS ARE REQUIRED EXCEPT AT THE BEGINNING AND END OF THE RUN.



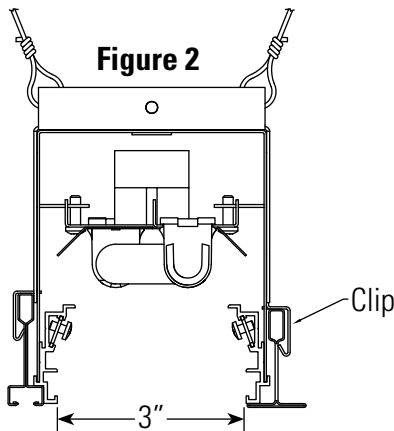
*Note: Fixtures were designed to be installed in grid spaced 4" on center lengthwise. T-bar by others 15/16" standard T and 9/16" slot T. Grid by others.*

**A. Individual Installation**

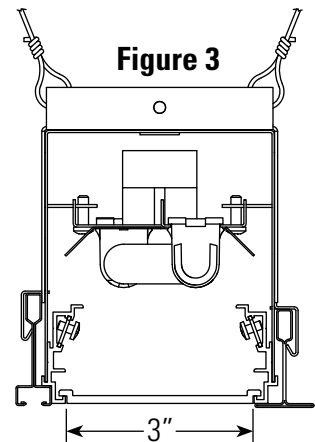
1. Place fixture in desired location and support both ends with hang-wires from structure above. Also secure both sides with grid locking clips.
2. Remove access-plate on top of fixture to gain access to splice compartment, remove a 7/8" K. O. from access-plate and pull necessary wires out of fixture.
3. Provide power to fixture per NEC & local codes and re-install access-plate.
4. Lamp all fixtures with designated lamps and test.
5. Install all diffusers provided with fixtures.



**Figure 1**  
Drop Fixture in 4" on Center T Grid Opening. And Hang Fixture from Structure Above. Make Sure Fixture is Leveled Lengthwise and Width-wise.



**Figure 2**  
Secure to Grid Using Provided Clips. Provide Power to Fixture Through Access Plate and Test.



**Figure 3**  
Install Diffuser Provided with Fixture. Lens or Louver

**B. Row Installation (Must be on runners only. No cross members used.)**

1. Place starter fixture in desired location and support both ends with hang-wires from structure above. Also secure both sides with locking clips.
2. Place following fixture adjacent to previous fixture. Make all electrical connections and support both ends with hang-wires from structure above. Then secure to previous fixture utilizing supplied no. 8-32 hardware and aligning splines. Splines should be secured and centered between the two fixtures, install grid locking-clips to both sides of housing.
3. Repeat step 2 until all but last fixture is hanging from structure above.
4. If this row is scheduled to have an ending telescopic fixture, see installation instructions supplied with that fixture to adjust to proper length.
5. Remove access-plate on top of starter fixture to gain access to splice compartment, remove a 7/8" knock-out from access-plate and pull necessary wire out of fixture.
6. Provide power to fixture per NEC & local codes and re-install access-plate.
7. Lamp all fixtures with designated lamps and test.
8. Install all diffusers provided with fixtures.

