

INSTRUCTION FOR INSTALLATION ZYLINDER GLAS FOR METAL HALIDE PENDANT LUMINAIRE

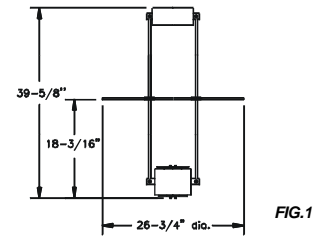
Read and understand these instructions before installing the luminaire.

CAUTION: Branch circuit conductors must be rated 90°C minimum. To prevent electrical shock turn off electricity and check your local electrical code and regulations. Consult a qualified electrician before installing.

WARNING: - Risk of fire: Transformer contains luminaire thermal protector. Use only replacement transformer obtained from Lightolier CFI.

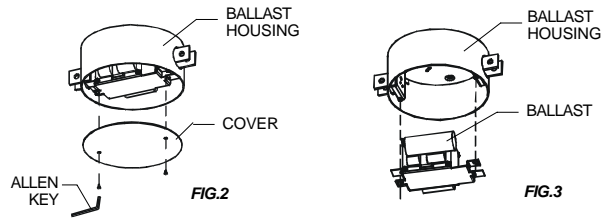
IMPORTANT:

This 39 lb lighting fixture must not to be supported by a junction box. Provide a 6-in diameter anchor plate with three equal support points around the junction box. (Fig.4)



A. BALLAST HOUSING:

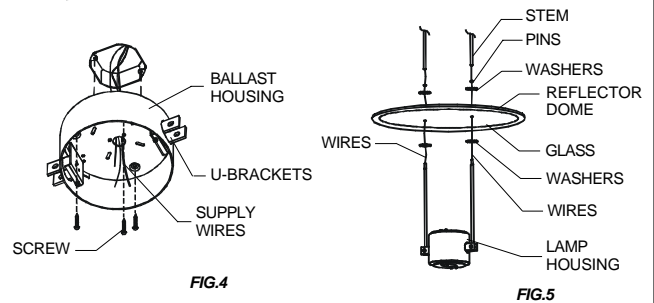
1. Remove the ballast housing cover with the allen key provided. (Fig.2)
2. Unfasten the ballast from the ballast housing. (Fig.3)
3. Feed the power supply wires through the central opening of the ballast housing. (Fig.4)
4. Rotate the U-brackets as necessary, and attach to the ceiling with the 3-1/2" long screws (3) provided. (Fig.4)
5. Replace the ballast in the ballast housing. (Fig.3)



B. GLASS/PROTECTOR:

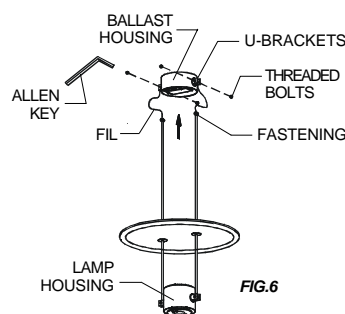
Note: Remove the protective film from the reflector.

1. Push the wires of the lamp housing through the washers with the frosted side of the glass downward, and with the polished side of the reflector dome (if applicable) toward the glass, the washers, the exagonal screws and the pins. (Fig.5)



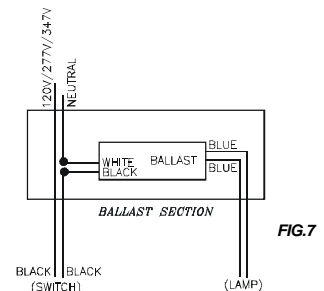
C. STEM:

1. Align the fastening stem with the U-brackets on the ballast housing. (Fig.6)
2. Install the threaded bolts over the U-brackets into the fastening stem with the allen key provided. (Fig.6)
3. Insert the wires into the holes in the U-brackets. (Fig.6)



D. WIRE-IN: (Fig.7)

1. Connect the white (neutral) wire to the white wire of the ballast.
2. Connect each blue wire of the ballast to each blue wire of the lamp.
3. Connect the black wire of the ballast to the black wire of the switch.
4. Connect the power supply wire (120V, 277V or 347V) to the black wire (switch).
5. Replace the ballast housing cover. (Fig.2)



E. LAMP:

1. Remove the clear glass (top). (Fig.8)
2. Remove the reflector. (Fig.8)
3. Insert one end of the lamp into the socket and snap in the other end. (Fig.9)
4. Replace the glass, keeping the nylon washers up against the glass. (Fig.8)

Note:

- Put back nylon rings on each side of the protective glass.
- Do not over-tighten the cap nuts as this would cause unwanted tension.

