

READ AND UNDERSTAND THESE INSTRUCTIONS BEFORE INSTALLING FIXTURE

This fixture is intended for installation in accordance with the National Electrical Code and local regulations. To assure full compliance with local codes and regulations, check with your local electrical inspector before installation. To prevent electrical shock, turn off electricity at fuse box before proceeding.

Retain these instructions for maintenance reference.

INSTRUCTION SHEET NO.

IS:FACSA36

0697

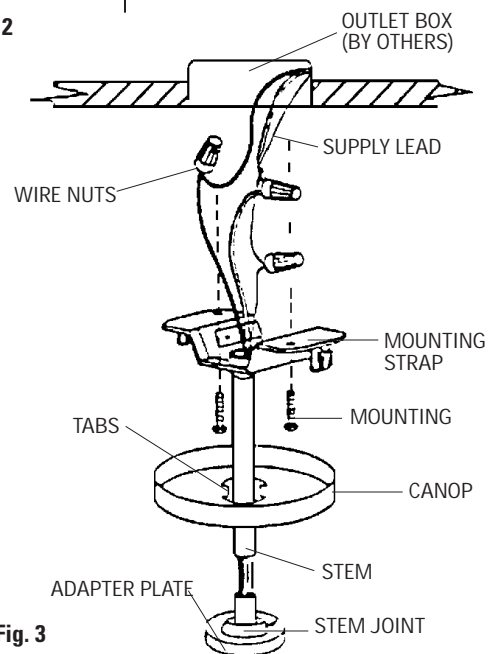
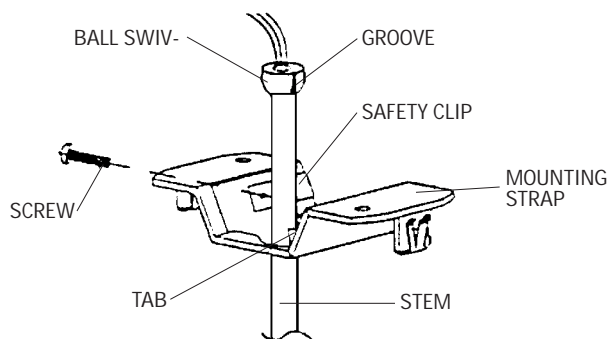
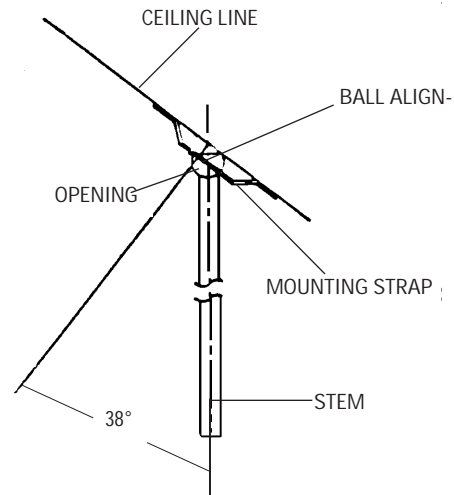
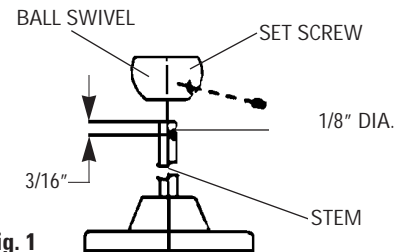
Page 1 of 2

INSTALLATION OF STEM KIT TO CALCULITE® COMPACT FLUORESCENT CYLINDER. STEM KITS ARE SUITABLE FOR DAMP OR DRY LOCATIONS.

A. TO INSTALL STEM KIT ON CEILING

NOTE: STEM may be shortened by cutting STEM to desired length. This must be done before hanging. Detach STEM from STEM KIT by loosening SET SCREW from BALL SWIVEL. Be sure that LEAD WIRES are completely out of STEM. Cut STEM, then drill 1/8" diameter hole through the STEM 3/16" from end. Be certain to deburr after cutting or slotting. (Fig. 1) (A slot made with a file or hacksaw will also work.) Reassemble STEM and BALL SWIVEL.

1. Bring SUPPLY LEAD WIRES from the OUTLET BOX through the center hole of the MOUNTING STRAP. For sloped ceilings, position opening in MOUNTING STRAP facing upward, then thread SCREWS through MOUNTING STRAP to OUTLET BOX. (Fig. 2 & 3)
2. Slide CANOPY down STEM to rest on STEM JOINT. (Fig. 3)
3. Hook BALL SWIVEL on MOUNTING STRAP. Make sure GROOVE in BALL SWIVEL aligns with TAB in MOUNTING STRAP. (Fig. 4)
4. Slide SAFETY CLIP to MOUNTING STRAP and tighten SCREW. (Fig. 4)
5. Make electrical connections: connect FIXTURE GROUND to the ELECTRICAL SYSTEM GROUND. WHITE FIXTURE LEAD or LEAD WITH TRACER MARK to WHITE SUPPLY WIRE. BLACK FIXTURE LEAD or FIXTURE LEAD WITHOUT TRACER MARK to BLACK SUPPLY LEAD, with WIRE NUTS (provided). Push all splice connections into OUTLET BOX.
6. Align TABS in CANOPY with notches in MOUNTING STRAP. Slide CANOPY up over MOUNTING STRAP and push up against ceiling. (Fig. 3)



LIGHTOLIER®

LIGHTOLIER a GENLYTE company.

631 Airport Road, Fall River, MA 02720

READ AND UNDERSTAND THESE INSTRUCTIONS BEFORE INSTALLING FIXTURE

This fixture is intended for installation in accordance with the National Electrical Code and local regulations. To assure full compliance with local codes and regulations, check with your local electrical inspector before installation. To prevent electrical shock, turn off electricity at fuse box before proceeding.

Retain these instructions for maintenance reference.

INSTRUCTION SHEET NO.

IS:FACSA36

0697

Page 2 of 2

B. TO ATTACH FIXTURE TO STEM

1. Attach (2) SPRING CLIPS to FIXTURE HOUSING by sliding SPRING CLIPS onto (2) raised pockets on top of FIXTURE HOUSING. (Fig. 5)
2. Make electrical connections: connect STEM KIT FIXTURE GROUND to HOUSING FIXTURE GROUND. STEM KIT FIXTURE WHITE LEAD to HOUSING FIXTURE WHITE LEAD. STEM KIT FIXTURE BLACK LEAD to HOUSING FIXTURE BLACK LEAD. Use WIRE NUTS (provided).
3. Align (2) holes in COVER with (2) SPRING CLIPS secured on top of FIXTURE HOUSING. (Fig. 6) Assemble FIXTURE HOUSING to STEM KIT using (2) SCREWS (provided).

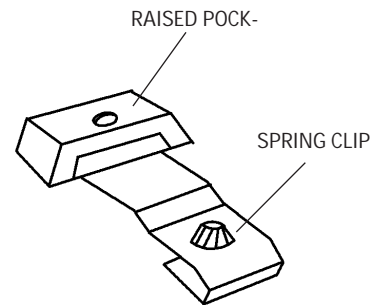


Fig. 5

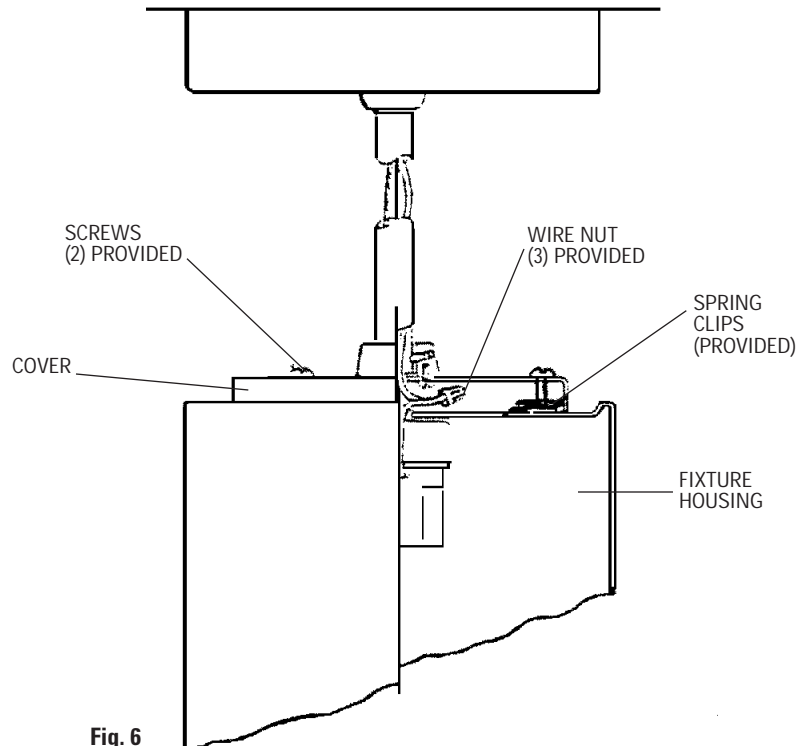


Fig. 6

LIGHTOLIER®

LIGHTOLIER a GENLYTE company.

631 Airport Road, Fall River, MA 02720