

Read and understand these instructions before installing luminaire:

This luminaire is intended for installation in accordance with the National Electrical Code and local regulations. To assure full compliance with local codes and regulations, check with your local electrical inspector before installation. To prevent electrical shock, turn off electricity at fuse box before proceeding.

Retain these instructions for maintenance reference

Unit-Installation Instructions:

1. Rotate WIRING COMPARTMENT away from LUMINAIRE to reveal MOUNTING HOLES (FIG.1).
2. POWER CORD can be routed out left, right or center of WIRING COMPARTMENT. To change POWER CORD location loosen SCREWS on back of WIRING COMPARTMENT. Remove WIRING COMPARTMENT COVER and re-route POWER CORD to desired location. Replace WIRING COMPARTMENT COVER and secure in place with SCREWS. (FIG.2&3).
3. Align SCREWS (by others) with MOUNTING HOLES and drive into MOUNTING SURFACE to firmly secure LUMINAIRE (FIG1). Use appropriate screws for MOUNTING SURFACE. LUMINAIRE can be mounted either horizontally or vertically.
4. Run POWER CORD to remote power supply and wire POWER CORD into 24VDC side of LED-RPS-50 (not shown) power supply only (See instruction sheet for LED-RPS-50 for detailed instructions.). A maximum of (2) ADJ100 series luminaires can be used per LED-RPS-50 power supply.

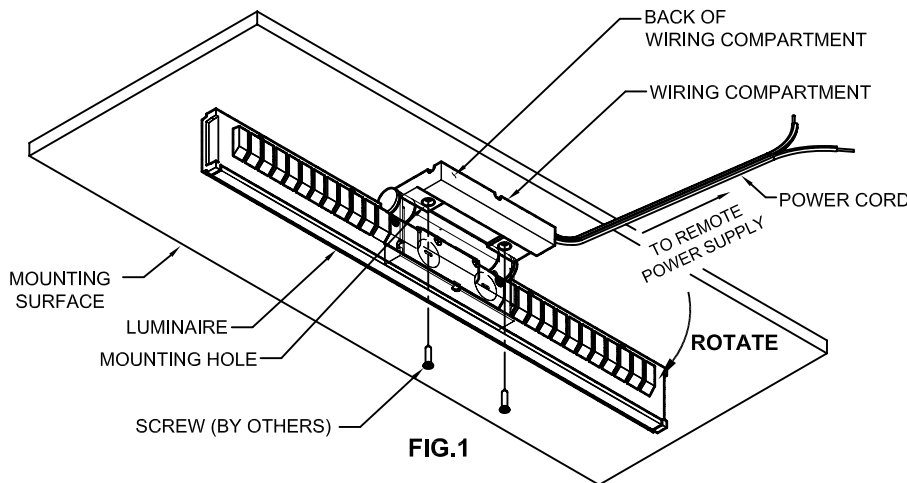
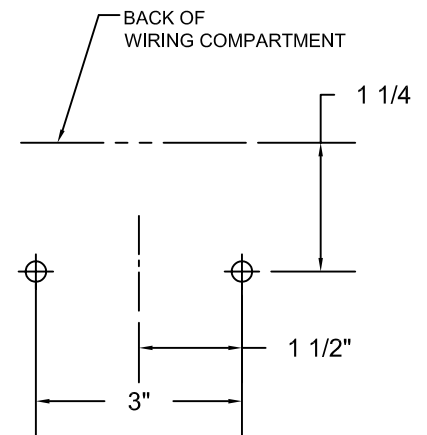


FIG.1



WIRING COMPARTMENT MOUNTING HOLES

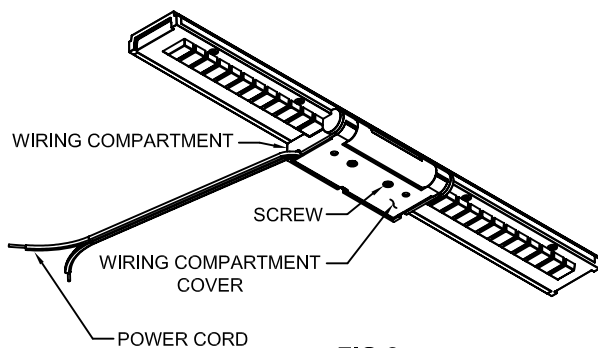


FIG.2

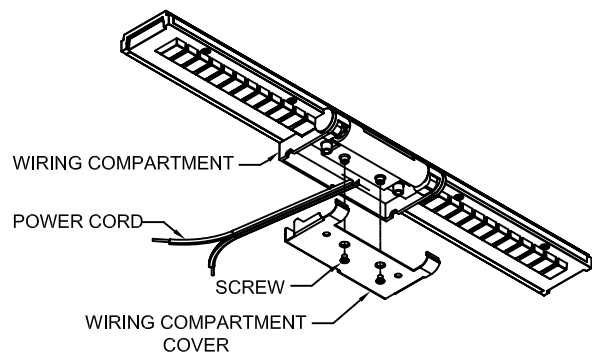


FIG.3