

READ AND UNDERSTAND THESE INSTRUCTIONS BEFORE INSTALLING FIXTURE

This fixture is intended for installation in accordance with the National Electrical Code and local regulations. To assure full compliance with local codes and regulations, check with your local electrical inspector before installation. To prevent electric shock, turn off electricity at fuse box before proceeding.

Retain these instructions for maintenance reference.

INSTRUCTION SHEET NO.

IS:6706

A0200

Page 1 of 1

INSTRUCTIONS FOR INSTALLATION OF DISCUS SURFACE MOUNT FIXTURES

Note: This instruction sheet covers several fixture styles. Ceiling pan, assembly, lamp type, and diffuser may vary from that shown, although installation is the same.

INSTALLATION (FIG. 1):

WARNING: (RISK OF FIRE) SUPPLY WIRING MUST BE RATED 90° C. FOR CEILING INSTALLATION OF MODELS 6700MS213N1 & 6706MS213N1 ONLY. MOST DWELLINGS BUILT BEFORE 1985 HAVE SUPPLY WIRE RATED FOR 60° C. CONSULT A QUALIFIED ELECTRICIAN BEFORE INSTALL

1. Make sure that power to OUTLET BOX is off.
2. Partially thread MOUNTING SCREWS supplied into OUTLET BOX.
3. While supporting CEILING PAN make electrical connections: black fixture lead to hot (black) supply lead; white fixture lead to neutral (white) supply lead. Uninsulated fixture wire is a ground wire and must be connected to grounding terminal or ground lead inside OUTLET BOX. Green fixture wire(s) must also be connected to grounding terminal or ground lead inside OUTLET BOX. Use WIRE NUTS (local hardware item). Push supply wires and connections back into OUTLET BOX.
4. Position CEILING PAN over MOUNTING SCREWS and allow head of MOUNTING SCREWS to come through KEYHOLE SLOTS in CEILING PAN. Slide CEILING PAN until MOUNTING SCREWS are fully engaged in narrow portion of KEYHOLE SLOTS and secure in place by tightening MOUNTING SCREWS.
5. Install recommended lamp(s).

CAUTION: USE ONLY LAMP WATTAGE AND TYPE MARKED ON FIXTURE.

6. Align DIFFUSER NOTCHES with DIFFUSER BRACKETS on CEILING PAN. Gently push DIFFUSER upward against CEILING PAN and rotate clockwise until DIFFUSER is locked in position. (FIG. 2):
7. To remove DIFFUSER, rotate counterclockwise until DIFFUSER NOTCHES pass over DIFFUSER BRACKETS.

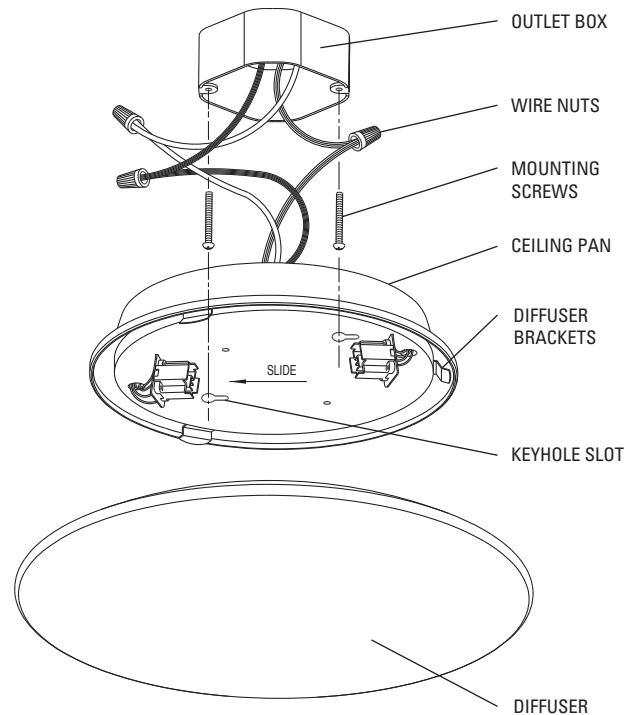


FIG. 1

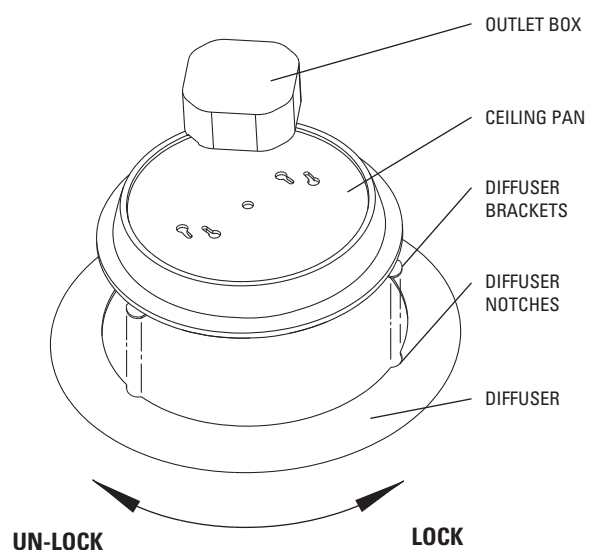


FIG. 2