

READ AND UNDERSTAND THESE INSTRUCTIONS BEFORE INSTALLING LUMINAIRE

This luminaire is intended for installation in accordance with the National Electrical Code and local regulations.

To assure full compliance with local codes and regulations, check with your local electrical inspector before installation. To prevent electric shock, turn off electricity at fuse box before proceeding.

Retain these instructions for maintenance reference.

INSTRUCTIONS FOR 9", 12" & 16" PENDALYTE™ SERIES TRACK MOUNT TO LYESPAN® TRACK SYSTEM SUSPENSION KITS. FOR USE WITH LYESPAN TRACK SYSTEMS ONLY.

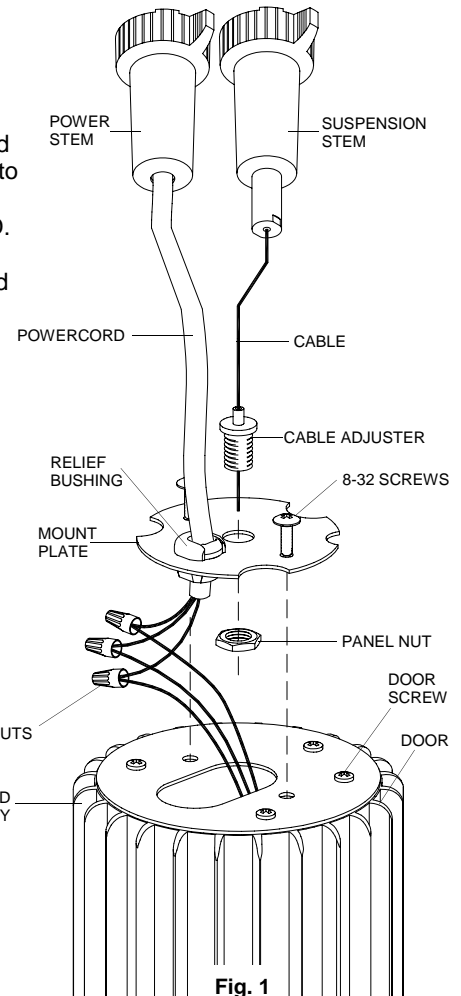
Note: This instruction sheet covers several luminaire styles. Powerhead assembly, lamp type, and reflector style may vary slightly from that shown, although installation is the same.

CAUTION: MAXIMUM WATTAGE AS MARKED ON LUMINAIRE MUST NOT BE EXCEEDED.

POWERHEAD INSTALLATION (fig. 1):

Note: On 9" unit MOUNT PLATE must be oriented correctly to clear DOOR SCREW head (see fig. 1).

1. Attach CABLE ADJUSTER to MOUNT PLATE with PANEL NUT.
2. Pass POWERCORD through relief bushing hole in MOUNT PLATE.
3. While supporting POWERHEAD ASSEMBLY wire luminaire using WIRE NUTS (local hardware item): black luminaire lead to hot (black) POWERCORD lead, white luminaire lead to neutral (white) POWERCORD lead. Attach luminaire ground wire(s) (green and/or bare) to green ground wire from POWERCORD.
4. Height adjustment: to raise luminaire push excess POWERCORD down into POWERHEAD. (Make certain CABLE does not interfere with internal wiring or components, both POWERCORD and CABLE may be cut inside POWERHEAD. Remove DOOR SCREW and pull DOOR away from POWERHEAD). CABLE is inserted into CABLE ADJUSTER. Raise luminaire by providing slack in CABLE and pushing through CABLE ADJUSTER. Lower luminaire by depressing PLUNGER.
5. Secure POWERCORD to MOUNT PLATE with RELIEF BUSHING.
6. Attach MOUNT PLATE to POWERHEAD with 8-32 SCREWS.



CAUTION: MAKE CERTAIN WIRES ARE NOT PINCHED BETWEEN PARTS.

DECO TUBE INSTALLATION (fig. 3)

1. Slip bottom of TUBE CLIP over TAB on bottom of POWERHEAD.
2. Pivot top of DECO TUBE assembly until top of TUBE CLIP snaps over SCREW HEADS (9" units) or LANCED TABS (12" & 16" units).
3. Repeat for remaining tube

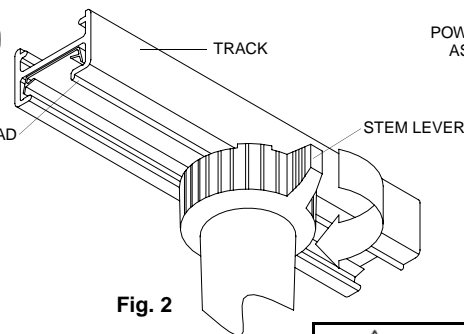
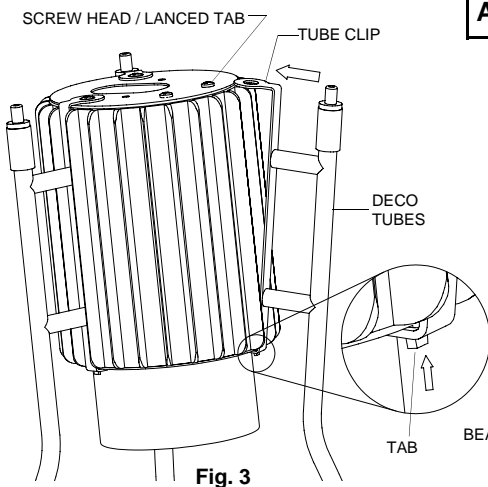


Fig. 2

DIFFUSER DISC INSTALLATION (fig. 4)

1. Install DECO TUBE assemblies to POWERHEAD first.
2. Align holes in DISC with ends of DECO TUBES.

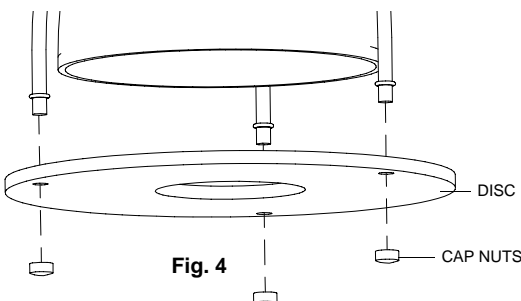


Fig. 4

NOTE: Not for use with ProSpec track.



WARNING: TO PREVENT ELECTRIC SHOCK, TURN OFF POWER TO TRACK.

INSTALLATION INTO TRACK (fig. 2)

1. Turn off power to TRACK.
2. Insert SUSPENSION STEM into track. The STEM LEVER must be on the same side as the track bead. See fig. 2.
3. Rotate suspension stem 90° clockwise using STEM LEVER. STEM LEVER should be parallel to TRACK.
4. To remove: rotate SUSPENSION STEM 90° counterclockwise using STEM LEVER.
5. Repeat steps 2 and 3 with POWER STEM.