

## READ AND UNDERSTAND THESE INSTRUCTIONS BEFORE INSTALLING FIXTURE

This fixture is intended for installation in accordance with the National Electrical Code and local regulations. To assure full compliance with local codes and regulations, check with your local electrical inspector before installation. To prevent electrical shock, turn off electricity at fuse box before proceeding.

**Retain these instructions for maintenance reference.**

INSTRUCTION SHEET NO.

# IS:46531

0198

Page 1 of 3

## INSTALLATION OF ALICE BATH LIGHTING SERIES

### UNPACKING FIXTURE:

- Carefully unpack FIXTURE HOUSING, DIFFUSER DOOR and PARTS BAG from carton.
- Gently remove protective plastic film from outside of FIXTURE HOUSING and any protective paper or plastic film from DIFFUSER DOOR and discard.

### FIXTURE INSTALLATION:

**The Alice Bath Series can be installed in a variety of ways:**

- Directly to standard electrical outlet boxes.
- End to end (continuous runs), using Linear Adapter Kit provided with fixture.
- Using Wall Wiring Mounting Kit (Lightolier Cat. No. 46700) for outlet boxes installed above existing mirrors.

**WARNING: (RISK OF FIRE) FOR SUPPLY CONNECTIONS USE WIRE RATED MINIMUM 90°C. MOST DWELLINGS BUILT BEFORE 1985 HAVE SUPPLY WIRE RATED 60°C. CONSULT A QUALIFIED ELECTRICIAN BEFORE INSTALLATION.**

### INSTALLATION TO STANDARD OUTLET BOXES:

1. Remove two REFLECTOR MOUNTING SCREWS and gently lift REFLECTOR from FIXTURE HOUSING to expose wiring. (Fig. 1)
2. Remove round center KNOCK-OUT HOLE in FIXTURE HOUSING and snap PLASTIC BUSHING into opening. (Fig. 1 & Fig. 2)
3. Remove the appropriate slotted KNOCK-OUTS in FIXTURE HOUSING to match the outlet box mounting holes.
4. Carefully pull supply wires from outlet box through CENTER KNOCK-OUT HOLE and mount FIXTURE HOUSING to outlet box using outlet box screws (provided with outlet box).

**Note:** In addition to outlet box mounting, it is also recommended to use AUXILIARY MOUNTING HOLES at each end of FIXTURE HOUSING. (Fig. 1) Use appropriate mounting hardware for the wall surface (i.e.: wood screws, toggle bolts, molly screws, etc.).

5. Make electrical connections: black fixture lead or fixture lead without tracer mark to black (hot) supply lead; white fixture lead or fixture lead with tracer mark to white (neutral) supply lead. Green fixture wire is a ground wire and must be connected to a ground screw or ground lead within outlet box. Use wire nuts (local hardware item) to make connections. Carefully push all wire connections through center opening making certain all connections are inside of outlet box.
6. Re-install REFLECTOR ASSEMBLY by placing two TABS on REFLECTOR into SLOTS in FIXTURE HOUSING and pivot REFLECTOR back until HOLES in REFLECTOR ASSEMBLY aligns with HOLES in FIXTURE HOUSING. Secure REFLECTOR ASSEMBLY in position by re-installing two REFLECTOR MOUNTING SCREWS.

### END TO END (CONTINUOUS RUNS) INSTALLATION:

1. Remove two REFLECTOR MOUNTING SCREWS and gently lift REFLECTOR from FIXTURE HOUSING to expose wiring. (Fig. 1)
2. Remove round center KNOCK-OUT HOLE in FIXTURE HOUSING that will be mounted to outlet box/supply wires and snap PLASTIC BUSHING into opening. (Fig. 1)
3. Remove SMALL DIAMETER KNOCK-OUT in the end of FIXTURE HOUSING closest to the next adjoining FIXTURE HOUSING to be mounted and snap PLASTIC BUSHING into opening. (Fig. 2)

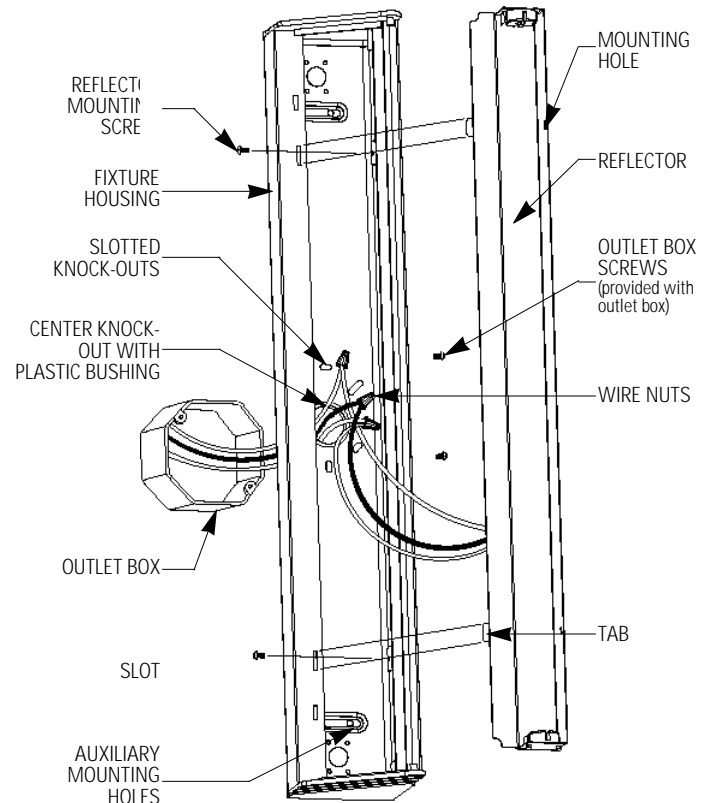


Fig. 1

# LIGHTOLIER®

LIGHTOLIER a GENLYTE company.

631 Airport Road, Fall River, MA 02720

## READ AND UNDERSTAND THESE INSTRUCTIONS BEFORE INSTALLING FIXTURE

This fixture is intended for installation in accordance with the National Electrical Code and local regulations. To assure full compliance with local codes and regulations, check with your local electrical inspector before installation. To prevent electrical shock, turn off electricity at fuse box before proceeding.

**Retain these instructions for maintenance reference.**

INSTRUCTION SHEET NO.

# IS:46531

0198

Page 2 of 3

- Using the wire provided in parts bag; pass approximately half the length of each black, white and green wire through opening in back of FIXTURE HOUSING. (Fig. 2)
- Position LINEAR ADAPTER COVER over back of FIXTURE HOUSING allowing two THREADED STUDS to pass through mounting holes surrounding KNOCK-OUT OPENING.

**Caution:** Make certain not to pinch wires between FIXTURE HOUSING and LINEAR ADAPTER. Secure LINEAR ADAPTER in place by placing LOCK WASHERS and HEX NUTS (from front of fixture housing) over threaded STUDS and fully tighten.

- Carefully pull supply wires from outlet box through center KNOCK-OUT HOLE and mount FIXTURE HOUSING to outlet box using outlet box screws (provided with outlet box).

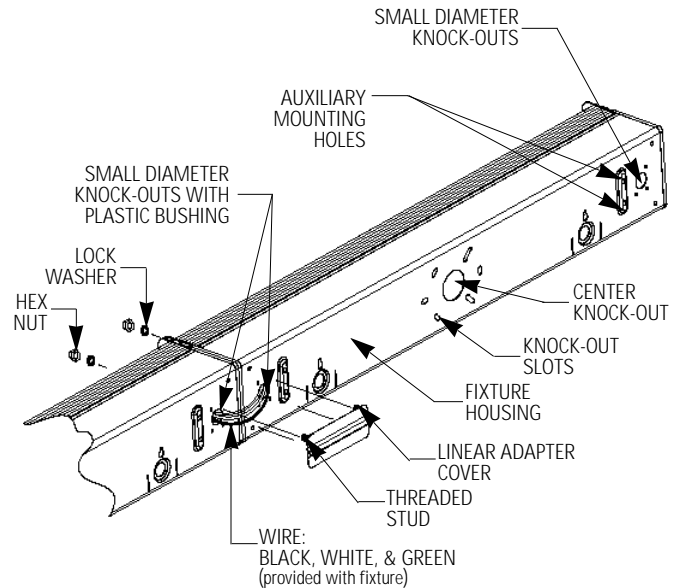
**Note:** In addition to outlet box mounting, it is also recommended to use AUXILIARY MOUNTING HOLES at each end of FIXTURE HOUSING. (Fig. 1) Use appropriate mounting hardware for the wall surface (i.e.: wood screws, toggle bolts, molly screws, etc.).

- In second adjoining FIXTURE HOUSING, remove SMALL DIAMETER KNOCK-OUT in the end closest to first FIXTURE and snap PLASTIC BUSHING into opening.
- Pass the other half of black, white and green wires through opening.
- Position second FIXTURE HOUSING over end of LINEAR ADAPTER allowing MOUNTING STUDS on ADAPTER to pass through MOUNTING HOLES in back of FIXTURE HOUSING. Secure FIXTURE HOUSING to wall surface using appropriate mounting hardware for the wall surface (i.e.: wood screws, toggle bolts, molly screws, etc.).

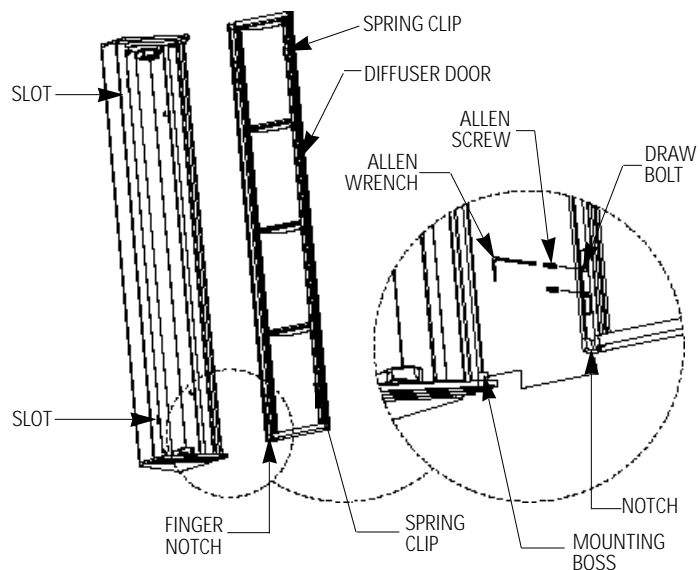
**Note:** If additional FIXTURES are to be installed; follow steps 3 through 5 prior to mounting second FIXTURE HOUSING.

Secure LINEAR ADAPTER in place by placing LOCK WASHER and HEX NUT (from front of fixture housing) over threaded STUDS and fully tighten.

- Make electrical connections: FIXTURE HOUSING containing supply wires (in coming power); connect black fixture lead and black wire from LINEAR ADAPTER to black (hot) supply lead; white fixture lead and white wire from LINEAR ADAPTER to white (neutral) supply lead. Green fixture wire and green LINEAR ADAPTER wire are ground wires and must be connected to a ground screw or ground lead within outlet box. Use wire nuts (local hardware item) to make connections. Carefully push all wire connections through center opening making certain all connections are inside of outlet box.
- Using WIRE NUTS (provided with fixture) connect second fixtures black lead to black LINEAR ADAPTER lead; white fixture lead to white LINEAR ADAPTER lead; green fixture lead (ground) to green LINEAR ADAPTER lead. Repeat procedure if other fixtures are installed in continuous run.
- Re-install REFLECTOR by placing two TABS on REFLECTOR into SLOTS in FIXTURE HOUSING and pivot REFLECTOR back until HOLES in REFLECTOR aligns with HOLES in FIXTURE HOUSING. Secure REFLECTOR in position by re-installing two REFLECTOR MOUNTING SCREWS. Repeat procedure for remaining FIXTURES in run.



**Fig. 2**  
**BACK-VIEW OF FIXTURE HOUSING**



**Fig. 3**

# LIGHTOLIER®

LIGHTOLIER a GENLYTE company.

631 Airport Road, Fall River, MA 02720

## READ AND UNDERSTAND THESE INSTRUCTIONS BEFORE INSTALLING FIXTURE

This fixture is intended for installation in accordance with the National Electrical Code and local regulations. To assure full compliance with local codes and regulations, check with your local electrical inspector before installation. To prevent electrical shock, turn off electricity at fuse box before proceeding.

Retain these instructions for maintenance reference.

INSTRUCTION SHEET NO.

# IS:46531

0198

Page 3 of 3

### WALL WIRING KIT INSTALLATION:

Follow instructions provided with WALL WIRING KIT 46700. Keep these instructions for reference purposes.

### DIFFUSER DOOR INSTALLATION:

1. Loosen two ALLEN SCREWS in each of the two DRAW BOLTS (use allen wrench provided). (Fig. 3)
2. Slide both DRAW BOLTS towards the center of DIFFUSER DOOR; hook the NOTCHES in each end of DIFFUSER DOOR around each MOUNTING BOSS on ends of FIXTURE HOUSING. Slide DRAW BOLTS to ends of DIFFUSER DOOR making certain DRAW BOLTS fully engage over each MOUNTING BOSS. Secure DRAW BOLTS in position by tightening all four ALLEN SCREWS.
3. Swing DIFFUSER DOOR closed against FIXTURE HOUSING allowing two SPRING CLIPS to engage in SLOTS in FIXTURE HOUSING. Gently push DIFFUSER DOOR at each end until SPRING CLIPS fully snap into FIXTURE HOUSING.

**Note:** To open DIFFUSER DOOR for relamping: place finger into FINGER NOTCHES in each end of DIFFUSER DOOR and gently pull DIFFUSER DOOR away from front edge of FIXTURE HOUSING. (Fig. 3)

**CAUTION:** Maximum wattage as marked on fixture must not be exceeded.

### LAMPING FIXTURE:

#### FLUORESCENT FIXTURES:

- Position pins in each end of lamp straight into SLOT in each SOCKET and twist lamp counterclockwise until lamp snaps into position (twist lamp approximately 90°). (Fig. 4)

#### CAUTION:

- **DISCONNECT POWER TO FIXTURE BEFORE RELAMPING.**
- **DO NOT USE 12V LAMPS WITH THIS FIXTURE.**
- **DO NOT TOUCH LAMP WITH BARE HANDS.**  
Oils from hands could reduce LAMP life. Use tissue paper or cloth when inserting LAMP into SOCKET.
- **DO NOT OPERATE FIXTURE WITH DIFFUSER DOOR OPEN.**

#### INCANDESCENT (HALOGEN) FIXTURES:

- Insert LAMP BASE into RECTANGULAR OPENING in PIN-PROTECTOR aligning PINS of LAMP with HOLES in SOCKET. Gently push LAMP into SOCKET until LAMP is fully seated into SOCKET.

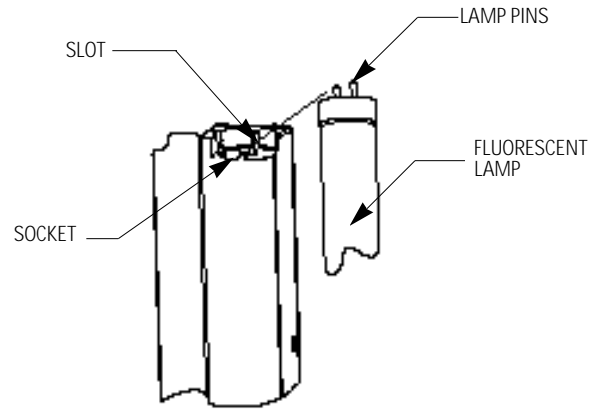


Fig. 4  
FLUORESCENT FIXTURES

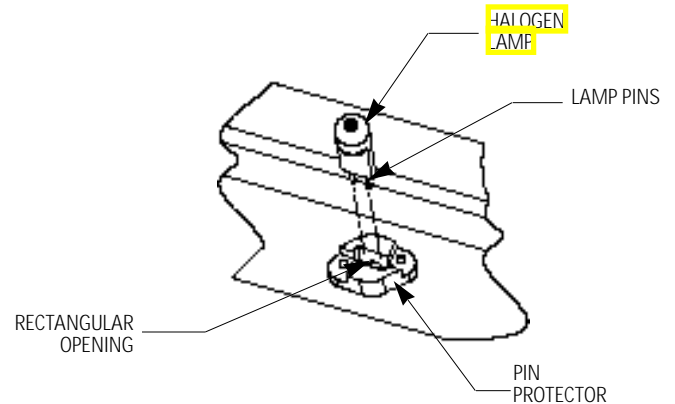


Fig. 5  
INCANDESCENT FIXTURES

# LIGHTOLIER®

LIGHTOLIER a GENLYTE company.

631 Airport Road, Fall River, MA 02720