

READ AND UNDERSTAND THESE INSTRUCTIONS BEFORE INSTALLING FIXTURE

This fixture is intended for installation in accordance with the National Electrical Code and local regulations. To assure full compliance with local codes and regulations, check with your local electrical inspector before installation. To prevent electrical shock, turn off electricity at fuse box before proceeding.

Retain these instructions for maintenance reference.

INSTRUCTION SHEET NO.

IS:44224

1094 PAGE 1 OF 2

**INSTRUCTIONS FOR INSTALLATION
COVERS ALL MINI-BRACELET FIXTURE SERIES**

PREPARE FIXTURE FOR INSTALLATION: Remove CAPSCREWS that secure COVER PLATE to BACKPLATE ASSEMBLY. Remove COVER PLATE and set aside.

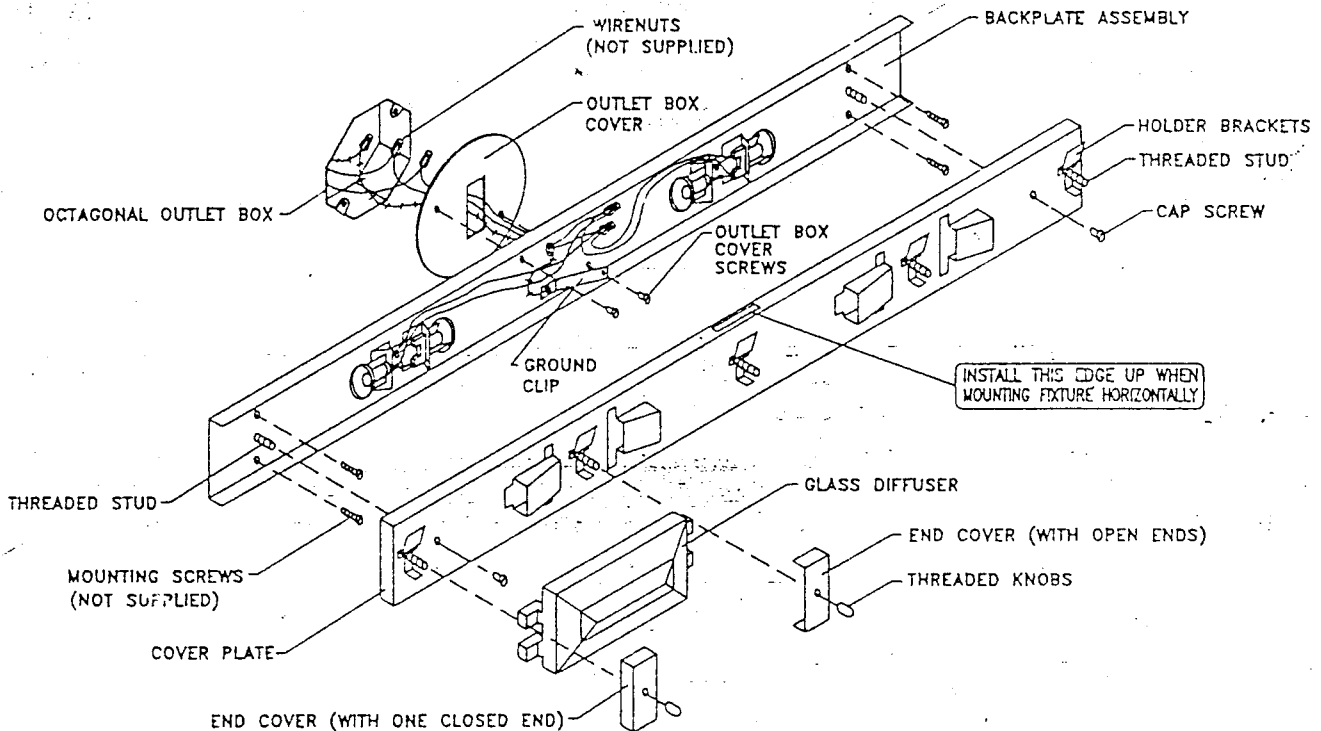
FOR OCTAGONAL OUTLET BOX MOUNTING:

1. Attach OUTLET BOX COVER to BACKPLATE ASSEMBLY using the two provided screws (see figure 1).
2. Wiring procedure: while supporting BACKPLATE ASSEMBLY make connections: Black fixture lead (or fixture lead without tracer mark) to Black supply lead; White fixture lead (or fixture lead with tracer mark) to White supply lead. Uninsulated wire is a GROUND WIRE and it must be connected to a grounding terminal or ground wire in the OUTLET BOX. Use wirenuts (local hardware item) push the splices into the OUTLET BOX. Make certain that wires are not pinched between BACKPLATE ASSEMBLY and wall (see figure 1).

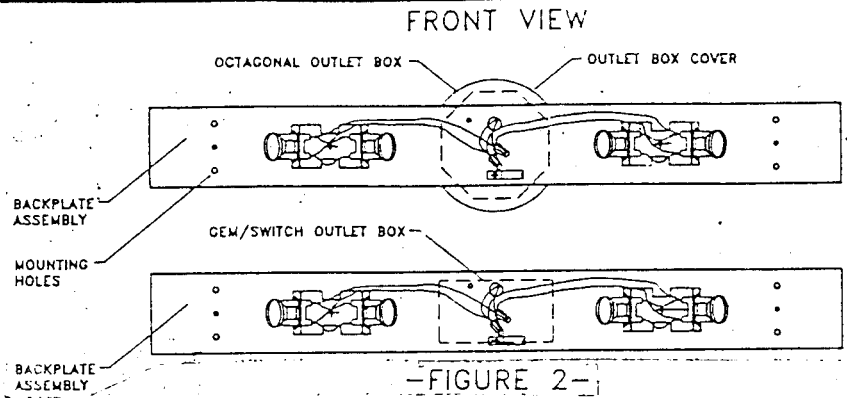
-WARNING-RISK OF FIRE. MOST DWELLINGS BUILT BEFORE 1985 HAVE SUPPLY WIRE RATED 60 DEGREE C. CONSULT A QUALIFIED ELECTRICIAN BEFORE INSTALLATION.

-WHEN MOUNTING HORIZONTALLY, USE SUPPLY WIRE RATED FOR AT LEAST 60 DEGREE C.

-WHEN MOUNTING VERTICALLY, USE SUPPLY WIRE RATED FOR AT LEAST 75 DEGREE C.



-FIGURE 1-



-FIGURE 2-

3. Position BACKPLATE ASSEMBLY centered over OUTLET BOX. Use a level placed on top of fixture. Once fixture is level, use MOUNTING HOLES as a template and mark drill locations (see figure 2).
4. Using all MOUNTING HOLES in BACKPLATE ASSEMBLY, secure to wall using wood screws, toggle bolts, or alternate fasteners (not provided) depending on wall material. Note: care must be taken to insure that OUTLET BOX is completely covered.

FOR HORIZONTALLY MOUNTED RECTANGULAR GEM OR SWITCH OUTLET BOXES:

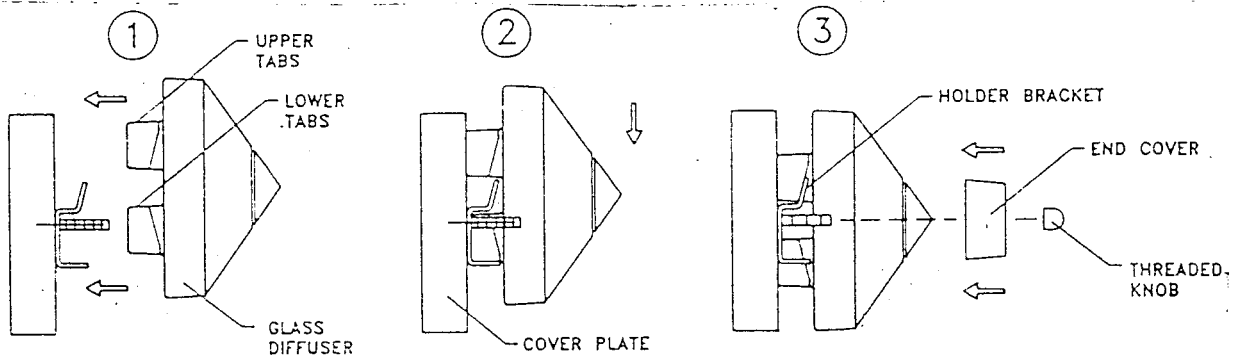
1. Make wiring connections per instruction provided in "step 2" above.
2. Position BACKPLATE ASSEMBLY per instruction provided in "step 3".
3. Mount BACKPLATE ASSEMBLY per instruction provided in "step 4" above. Note: where fixture is mounted vertically, gem or switch outlet box must be also installed vertically.

COVERPLATE MOUNTING PROCEDURE:

1. Remove THREADED KNOBS that secure END COVERS to COVER PLATE. Remove END COVERS and set aside with THREADED KNOBS.
2. Install COVER PLATE onto THREADED STUDS (pressing firmly to compress the GROUNDING CLIP) on BACKPLATE ASSEMBLY. Use extreme care to not pinch wires between parts. (Note: when installing fixture horizontally, observe "THIS EDGE UP" marking on COVERPLATE to insure proper orientation). Secure COVER PLATE to BACKPLATE ASSEMBLY by threading CAPSCREWS onto MOUNTING STUDS (see figure 1)
3. Install recommended lamps. Caution: maximum wattage marked on the fixture must not be exceeded.

GLASS DIFFUSER INSTALLATION:

1. Position GLASS DIFFUSER as shown in figure 3, step 1.
2. Move GLASS DIFFUSER towards COVER PLATE until UPPER and LOWER TABS on GLASS DIFFUSER touch COVER PLATE (see figure 3, step 2).
3. Gently slide GLASS DIFFUSER in a downward direction until UPPER TABS fully engage into HOLDER BRACKETS (see figure 3, step 3).
4. While supporting GLASS DIFFUSER, install END COVERS onto THREADED STUD on COVER PLATE. Secure END COVERS by installing THREADED KNOB onto THREADED STUD. Note: ENDCOVERS that are closed-off on one side are used on either end of fixture to close-off the HOLDER BRACKETS on the very ends (see figure 3, step 3).



-FIGURE 3-