

## READ AND UNDERSTAND THESE INSTRUCTIONS BEFORE INSTALLING FIXTURE

This fixture is intended for installation in accordance with the National Electrical Code and local regulations. To assure full compliance with local codes and regulations, check with your local electrical inspector before installation. To prevent electrical shock, turn off electricity at fuse box before proceeding.

**Retain these instructions for maintenance reference.**

INSTRUCTION SHEET NO.

# IS:40885

0998

Page 1 of 1

## INSTRUCTION SHEET FOR INSTALLATION OF LUMINOSITIES™ “ADA” WALL BRACKET SERIES

**NOTE: This instruction sheet covers several fixture styles. Backplate, lamp type and diffuser assembly may vary slightly from that shown, although installation is the same.**

### BACKPLATE INSTALLATION:

1. Thread CROSSBAR MOUNTING SCREWS into CROSSBAR as shown (Fig. 1).
2. Using appropriate slots in CROSSBAR, secure CROSSBAR to OUTLET BOX using OUTLET BOX SCREWS (provided with OUTLET BOX.)
3. While supporting BACKPLATE make connections: black fixture lead or fixture lead without tracer marks to hot (black) supply lead; white fixture lead or fixture lead with tracer marks to neutral (white) supply lead. Uninsulated fixture wire is a ground wire and must be connected to grounding terminal or ground lead inside OUTLET BOX. Use WIRE NUTS (local hardware item). Push supply wires and connections back into OUTLET BOX.

4. Position BACKPLATE over CROSSBAR allowing CROSSBAR MOUNTING SCREWS to come through holes in BACKPLATE.

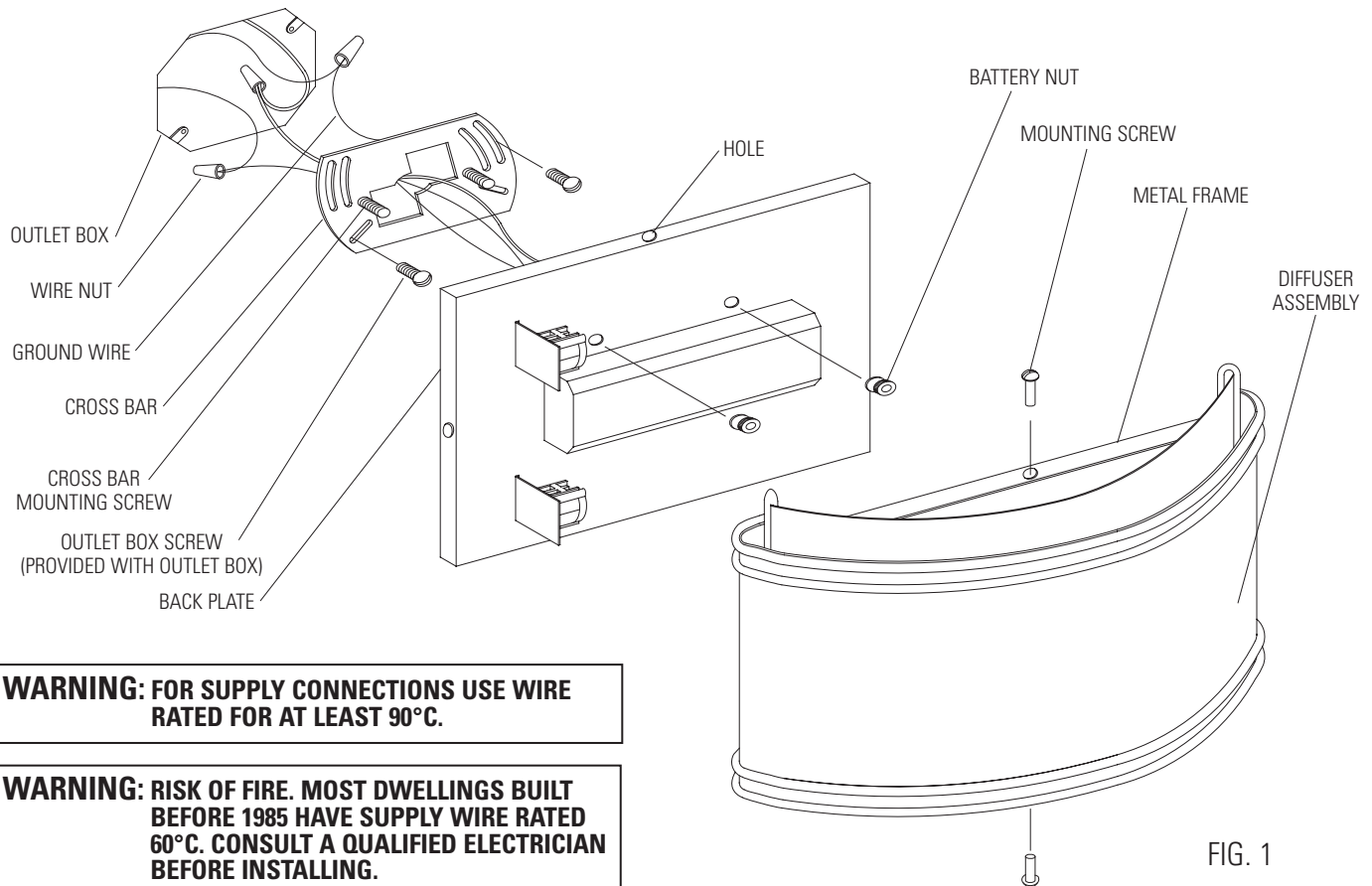
**CAUTION: MAKE CERTAIN WIRES ARE NOT PINCHED BETWEEN PARTS.**

5. Secure BACKPLATE in position by installing two BATTERY NUTS over CROSSBAR MOUNTING SCREWS and tighten.
6. Install recommended lamp(s).

**CAUTION: MAXIMUM WATTAGE AS MARKED ON FIXTURE MUST NOT BE EXCEEDED.**

### DIFFUSER INSTALLATION:

1. Slide METAL FRAME of DIFFUSER ASSEMBLY over outer edge of backplate.
2. Secure DIFFUSER ASSEMBLY in position by tightening two MOUNTING SCREWS on DIFFUSER ASSEMBLY into holes in BACKPLATE.



**WARNING: FOR SUPPLY CONNECTIONS USE WIRE RATED FOR AT LEAST 90°C.**

**WARNING: RISK OF FIRE. MOST DWELLINGS BUILT BEFORE 1985 HAVE SUPPLY WIRE RATED 60°C. CONSULT A QUALIFIED ELECTRICIAN BEFORE INSTALLING.**

FIG. 1

# LIGHTOLIER®

LIGHTOLIER a GENLYTE company.

631 Airport Road, Fall River, MA 02720