

READ AND UNDERSTAND THESE INSTRUCTIONS BEFORE INSTALLING FIXTURE

This fixture is intended for installation in accordance with the National Electrical Code and local regulations. To assure full compliance with local codes and regulations, check with your local electrical inspector before installation. To prevent electrical shock, turn off electricity at fuse box before proceeding.

Retain these instructions for maintenance reference.

INSTRUCTION SHEET NO.

IS:40825

0998

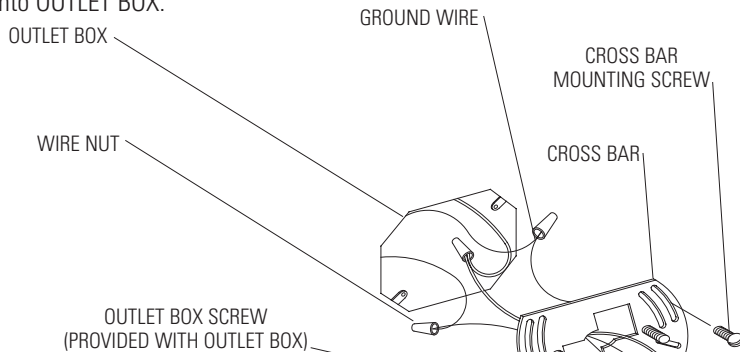
Page 1 of 1

INSTRUCTION SHEET FOR INSTALLATION OF BOWSHIELD™ "ADA" WALL BRACKET SERIES

NOTE: This instruction sheet covers several fixture styles. Backplate, lamp type and diffuser assembly may vary slightly from that shown, although installation is the same.

BACKPLATE INSTALLATION:

1. Thread CROSSBAR MOUNTING SCREWS into CROSSBAR as shown (Fig. 1).
2. Using appropriate slots in CROSSBAR, secure CROSSBAR to OUTLET BOX using OUTLET BOX SCREWS (provided with OUTLET BOX.)
3. While supporting BACKPLATE ASSEMBLY make connections: black fixture lead or fixture lead without tracer marks to hot (black) supply lead; white fixture lead or fixture lead with tracer marks to neutral (white) supply lead. Uninsulated fixture wire is a ground wire and must be connected to grounding terminal or ground lead inside OUTLET BOX. Use WIRE NUTS (local hardware item). Push supply wires and connections back into OUTLET BOX.



4. Position BACKPLATE over CROSSBAR allowing CROSSBAR MOUNTING SCREWS to come through holes in BACKPLATE ASSEMBLY.

CAUTION: MAKE CERTAIN WIRES ARE NOT PINCHED BETWEEN PARTS.

5. Secure BACKPLATE ASSEMBLY in position by installing two BATTERY NUTS over CROSSBAR MOUNTING SCREWS and tighten.
6. Install recommended lamp(s).

CAUTION: MAXIMUM WATTAGE AS MARKED ON FIXTURE MUST NOT BE EXCEEDED.

DIFFUSER INSTALLATION:

1. Slide DIFFUSER down into NOTCHES in BACKPLATE ASSEMBLY until DIFFUSER rests in slot in support arm.
2. Secure DIFFUSER in position by tightening four DIFFUSER MOUNTING SCREWS through holes in BACKPLATE ASSEMBLY against DIFFUSER. (Caution: Diffuser damage may occur; do not over tighten diffuser mounting screws.)

WARNING: PUSH SUPPLY LEADS SECURELY INTO JUNCTION BOX BEFORE PERMANENT MOUNTING.

WARNING: FOR SUPPLY CONNECTIONS USE WIRE RATED FOR AT LEAST 90°C.

WARNING: RISK OF FIRE. MOST DWELLINGS BUILT BEFORE 1985 HAVE SUPPLY WIRE RATED 60°C. CONSULT A QUALIFIED ELECTRICIAN BEFORE INSTALLING.

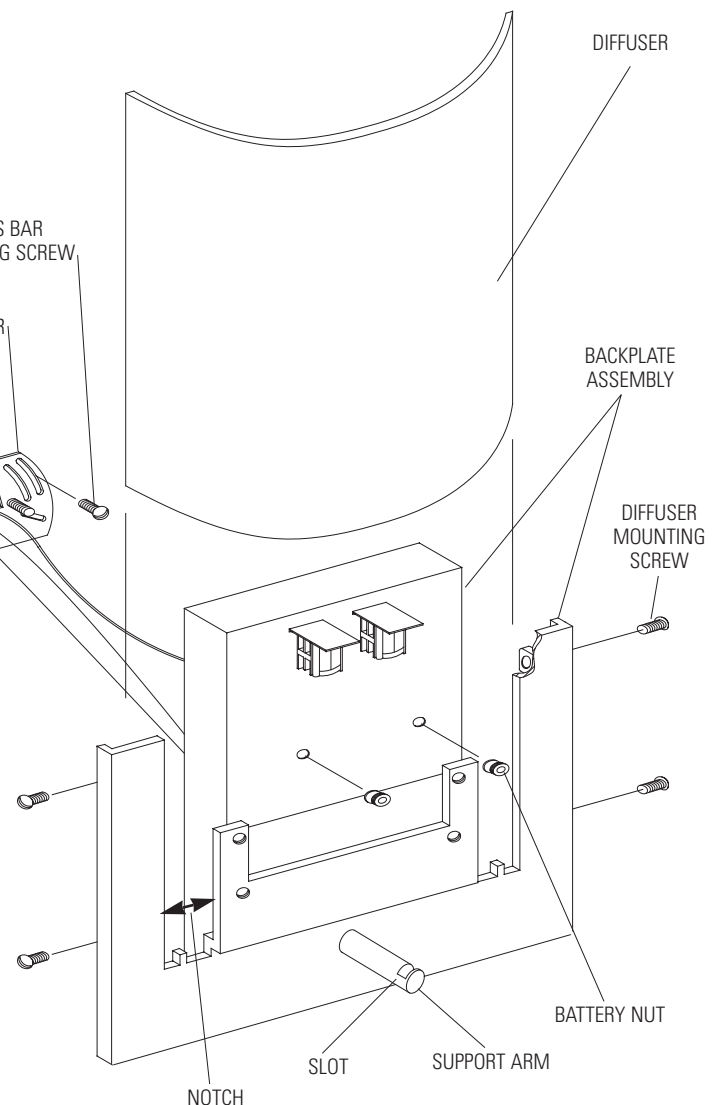


FIG. 1

LIGHTOLIER®

LIGHTOLIER a GENLYTE company.

631 Airport Road, Fall River, MA 02720