

**Read and understand these instructions before installing luminaire (fixture).**

This luminaire is intended for installation in accordance with the National Electrical Code and local regulations. To assure full compliance with local codes and regulations, check with your local electrical inspector before installation. To prevent electrical shock, turn off electricity at fuse box before proceeding. Allow fixture to cool before handling.

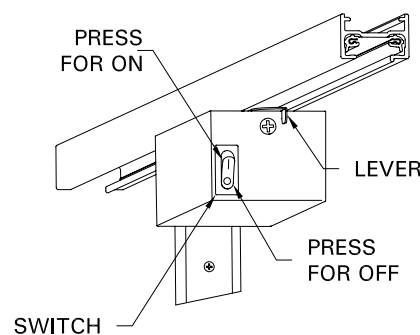
**Retain these instructions for maintenance reference.**

**INSTRUCTIONS FOR INSTALLING AND OPERATING 23S39T6, 23S70T6  
ALCYON™ HID LUMINAIRES.FOR USE WITH LIGHTOLIER LYTESPAN® TRACK SYSTEMS ONLY**

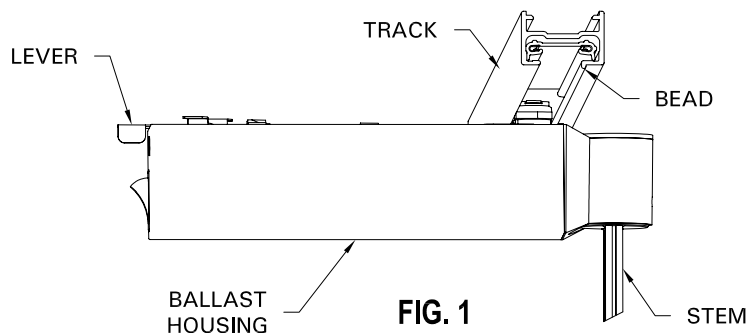
- Compatible with ceiling, wall and suspended mounted track. Compatible with multipoint.
- 23S39T6 compatible with monopoint 6172. 23S70T6 compatible with monopoint 6173. Sold separately.
- Compatible with reflectors MHT6RS, MHT6RNF, MHT6RF. Sold separately.
- Compatible with AF4, AL4HC, and 23SNT6 accessories. Sold separately.
- Not compatible with 6170 and 6190 monopoints, extension wands, clamp-on monopoint, weighted base, sloped ceiling adapter, Atom™, pro-spec track.
- CAUTION: HOT SURFACE. Keep away from curtains and any other combustible materials.
- CAUTION: DO NOT OPERATE ON A DIMMING CIRCUIT.
- CAUTION: Turn power off and allow fixture to cool before handling.
- CAUTION: Use only lamp types and wattages specified on the luminaires lamp label.
- CAUTION: A reflector and glass lens must always be used. Do not operate with accessory holder in open position.
- Lamps are sold separately.

**INSTRUCTIONS FOR ATTACHING LUMINAIRE TO TRACK.**

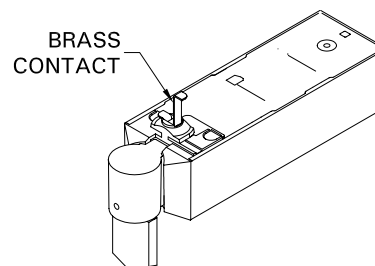
1. Turn off power to TRACK and put SWITCH in off position.
2. Insert luminaire into TRACK as shown in FIG. 1. The STEM must be on the same side as the BEAD.
3. Rotate BALLAST HOUSING clockwise 90°, pull BALLAST HOUSING away from TRACK enough for LEVER to clear TRACK.
4. Turn LEVER to position shown in FIG 2. to mechanically secure BALLAST HOUSING.
5. Do not turn the SWITCH to on position unless LAMP and accessory holder are properly installed. See instructions on page 2.
6. TO REMOVE: Turn LEVER, lightly pull down BALLAST HOUSING, and rotate counterclockwise.



**FIG. 2**



**FIG. 1**



**FIG. 4**

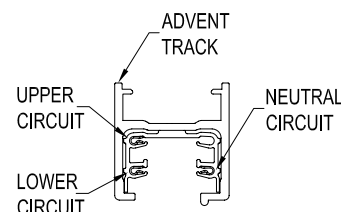
**INSTRUCTIONS FOR CONVERTING LUMINAIRE TO OPERATE ON 2 CIRCUIT ADVENT® TRACK. FIG.3**

**TO POWER ON UPPER CIRCUIT**

1. Raise BRASS CONTACT to high position by pulling CONTACT as high as stop permits (See FIG. 4).
2. Follow instructions above for installing into track.

**TO POWER ON LOWER CIRCUIT :**

1. Ensure CONTACTS are at the same level. Push down BRASS contact if needed.
2. Follow instructions above for installing into track.



**FIG. 3**

## INSTRUCTIONS FOR LAMPING.

1. Turn off power to TRACK and put SWITCH in off position.
2. Open ACCESSORY HOLDER by turning KNOB. (FIG. 5).
3. Place REFLECTOR in LUMINAIRE and secure by snapping RETAINING RING in GROOVE.
4. Install proper lamp type and wattage as specified on luminaire lamp label.

## INSTRUCTIONS FOR INSTALLING OPTIONAL ACCESSORIES (FIG 7).

1. Remove ACCESSORY RETAINING RING .
  2. Place accessories into ACCESSORY HOLDER.
  3. Secure accessories with ACCESSORY RETAINING RING.
- Note: Luminaire accepts 3 accessories max. Two glass lenses and snoot or One Louver one glass lens and snoot. If Louver is used position louver furthest from lamp. **DO NOT OPERATE WITHOUT GLASS LENS OR ACCESSORY HOLDER IN OPEN POSITION.**

## INSTRUCTIONS FOR OPERATING LUMINAIRE.

1. Close ACCESSORY HOLDER on Luminaire and tighten KNOB.(FIG 5).
2. Adjust VERTICAL and HORIZONTAL aim (FIG. 8).  
Note: vertical and horizontal rotation have mechanical stops and locking feature. Do not force past stop. If aim is locked loosen SET SCREWS.  
Note: Horizontal and Vertical aiming can be locked. To lock, tighten SET SCREWS with hex key (by others). To unlock loosen SET SCREWS.
3. Turn power on to track circuit.
4. Place SWITCH to ON position.

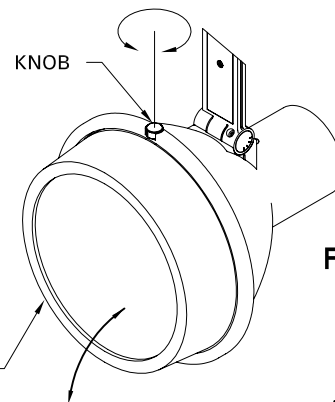


FIG. 5

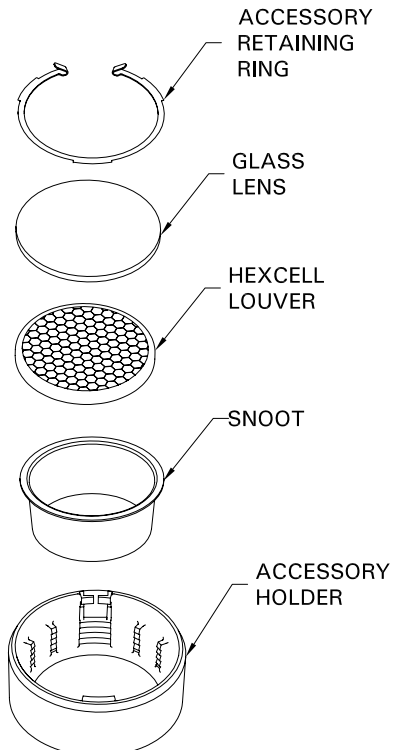


FIG. 7

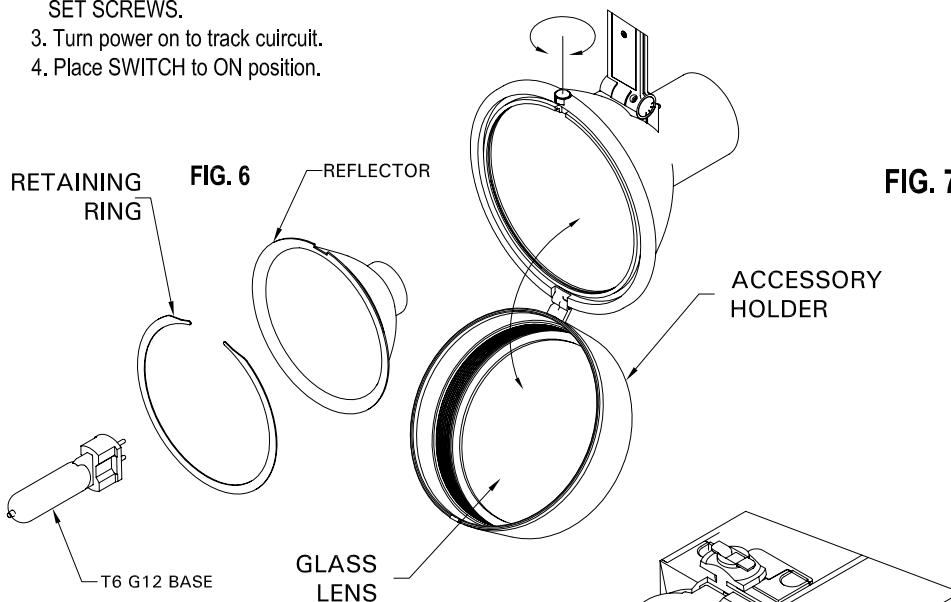


FIG. 6

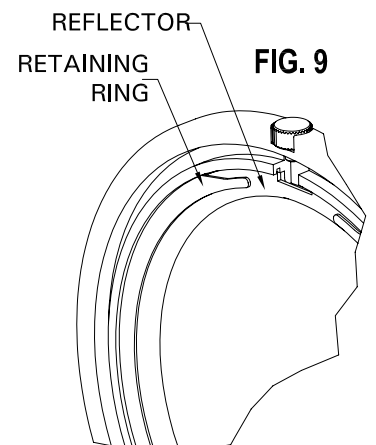


FIG. 9

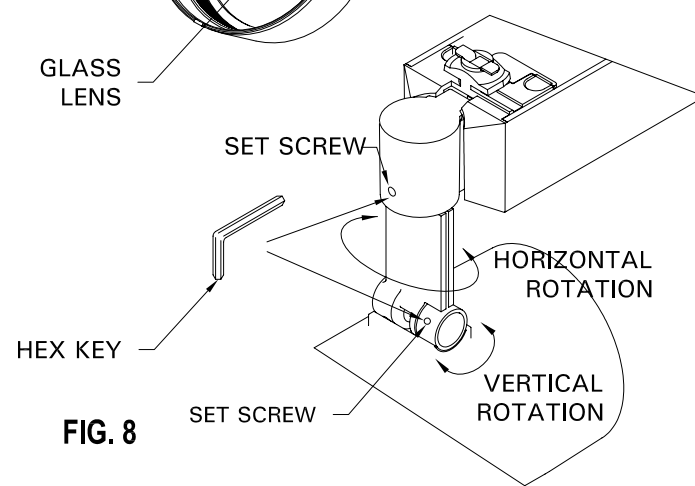


FIG. 8