

**READ AND UNDERSTAND THESE INSTRUCTIONS
BEFORE INSTALLING LUMINAIRE.**

This luminaire is intended for installation in accordance with the National Electrical Code and local regulations. To assure full compliance with local codes and regulations, check with your local electrical inspector before installation. To prevent electric shock, turn off electricity at main power supply before proceeding.
Retain these instructions for maintenance reference.

INSTRUCTION SHEET NO.

IS:2000LV-A

S0607

Page 1 of 2

**INSTALLATION PROCEDURE FOR: LYTECASTER® 2000LV, 2000LVE1, & 2000LVE2 LOW VOLTAGE
FRAME-IN KITS**

**CAUTION: USE ONLY WITH REFLECTOR TRIMS PROVIDED BY LIGHTOLIER. USE OF OTHER MANUFACTURER'S TRIMS
MAY VOID THE UNDERWRITERS LABORATORIES LISTING AND COULD CONSTITUTE A FIRE HAZARD.**

**CAUTION: BEFORE INSTALLING FRAME-IN KIT AND REFLECTOR TRIM, READ ALL MARKINGS ON FRAME-IN KIT AND
REFLECTOR TO DETERMINE LAMP WATTAGE AND TYPE APPLICABLE FOR YOUR INSTALLATION.**

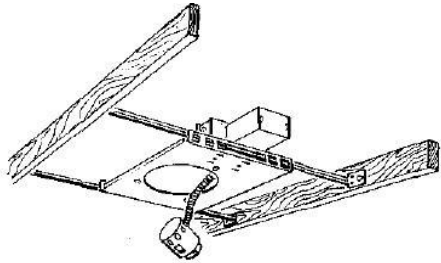


FIG. A
1. FRAME-IN



FIG. B
2. CLOSE-IN

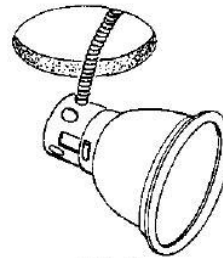


FIG. C
3. SNAP-ON

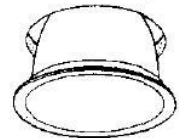


FIG. D
4. PUSH-UP

**WARNING— (RISK OF FIRE) DO NOT INSTALL INSULATION WITHIN 3 INCHES OF FIXTURE SIDES OR WIRING
COMPARTMENT, NOR ABOVE FIXTURE IN SUCH A MANNER TO ENTRAP HEAT.**

1. FRAME- IN AND WIRE-IN (Fig. A)

Fasten MOUNTING FRAME to wood joist. Line up bottom edge of ADJUSTABLE MOUNTING BAR with bottom of wood joist (Fig. E). Wire to supply leads. (For Cable, use built-in Cable Clamp in J-Box). WHITE FIXTURE LEAD to NEUTRAL SUPPLY LEAD. BLACK FIXTURE LEAD to HOT SUPPLY LEAD (120V). BARE FIXTURE WIRE to SUPPLY GROUND (2000LV only). Use wirenuts (local hardware item). Place all electrical connections in the J-BOX. Attach J-BOX COVER onto J-BOX.

NOTE: ADJUSTABLE MOUNTING BARS can be extended for 24" mounting. For suspended ceiling, make certain that the bottom of MOUNTING FRAME is no higher than 1" above ceiling line (Fig. F)

2. CLOSE- IN (Fig. B)

Install plasterboard, or any other dry type ceiling, as required. Hole in board must be cut either on the ground or after the board is nailed to the ceiling, using MOUNTING FRAME opening as a cutting guide. (Make sure ROTO-CLIPS are rotated out of hole area to be cut.) (Fig. G)

* Lightolier offers a hole cutter (HC-356) that can be purchased separately to assist with quick, clean trim installations. In this case, follow the hole cutting directions supplied with HC-356.

3. SNAP-IN (Fig. C).



SEE SEPARATE
REFLECTOR TRIM
INSTRUCTION SHEETS

4. PUSH- UP (Fig. D).

NOTE: For wet plaster ceiling, use Plaster Ring Accessory No.1959 (order separately).

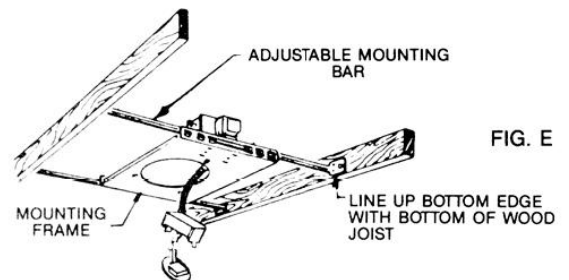


FIG. E

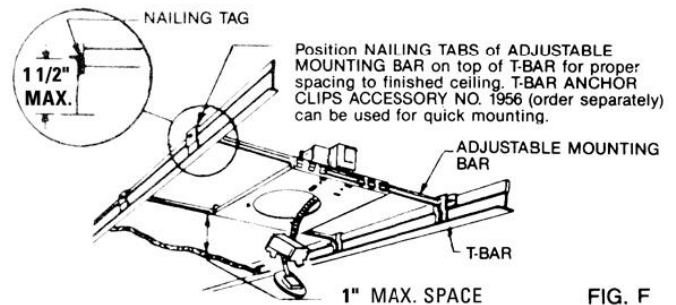


FIG. F

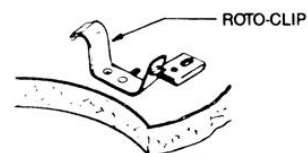


FIG. G

SEE BACK PAGE FOR LAMPING INSTRUCTIONS.

LIGHTOLIER®

LIGHTOLIER A GENLYTE COMPANY
631 Airport Road, Fall River, MA 02720

INSTALLATION PROCEDURE FOR: LYTECASTER® 2000LV, 2000LVE1 & 2000LVE2 LOW VOLTAGE FRAME-IN KITS (CONTINUED)

INSTRUCTION SHEET NO.

IS:2000LV-A

S0607

Page 2 of 2

LAMPING (Fig. H)

NOTE: Socket manufacturers have suggested that socket *may* fail after 3 to 6 relampings. If this occurs, socket can be replaced by disconnecting male connectors (attached to socket leads) from female connectors (attached to fixture leads) and replacing it with a new socket procured through LIGHTOLIER (Fig. H)

1. Make sure that power is OFF when lamping or relamping. Remove LAMP RING from SOCKET CUP by pulling straight down.
2. Insert LAMP (MR-16) between LAMP SPRINGS until face of lamp sits firmly on GLASS LAMP GUARD (Fig. I.)
3. Attach SOCKET to bi-pin prongs on LAMP.
4. Insert LAMP RING with LAMP and GLASS LAMP GUARD back into SOCKET CUP.

AIMING ANGLE ADJUSTMENT (Fig. J)

1. For vertical adjustment, insert blade of screwdriver into the open slot of YOKE.
2. Using screwdriver as a lever, tilt the entire LAMP HOLDER to the desired angle.
3. For horizontal adjustment, rotate the LAMP HOLDER.

NOTE: 1. LOW VOLTAGE FIXTURES should be dimmed only with special dimmers intended specifically for that purpose. Use Lightolier Lytemode, Scenist, Crescendo VA, Neptune VA, Precision VA, Easyset VA, Sunrise VA, Radiant VA or equivalent products by others or variable autotransformers or electronic dimmers intended for use with low voltage fixtures. 2. Low voltage fixtures may produce audible sound when used with dimmers, which may be objectional in acoustically critical areas.

TRANSFORMER REPLACEMENT (2000LV, 2000LVE1, and 2000LVE2)

1. Make sure power is off.
2. Remove REFLECTOR TRIM from ceiling.
3. Rotate ROTO CLIPS out of hole area.
4. Remove J-BOX COVER nearest ceiling opening by lifting SPRING.
5. Unsplice all wiring.
6. Remove TRANSFORMER ASSEMBLY from J-BOX by pulling SPRING upward. (Fig. K).
7. Place TRANSFORMER ASSEMBLY thru ceiling opening (Fig. L).
8. Remove TRANSFORMER and TRANSFORMER COVER by straightening TABS with pliers and removing SCREWS. For 2000LVE1 and 2000LVE2, remove TRANSFORMER by removing NUTS.
9. Install the new TRANSFORMER on the U-shaped holder with SCREWS and re-tab to the remaining half of the TRANSFORMER ASSEMBLY. For 2000LVE1 and 2000LVE2, install the new TRANSFORMER with NUTS.
10. Reassemble TRANSFORMER ASSEMBLY to J-BOX by placing J-BOX COVER TABS into J-BOX SLOTS and snapping onto SPRING (Fig. K).
11. Rewire Fixture:
 - A. Splice transformer red leads to white socket leads.
 - B. Splice transformer black lead to thermal protector blue lead.
 - C. Splice transformer and thermal protector white leads to supply common lead.
 - D. Splice thermal protector black lead to supply black lead.
12. Replace J-BOX COVER.
13. Install REFLECTOR TRIM.

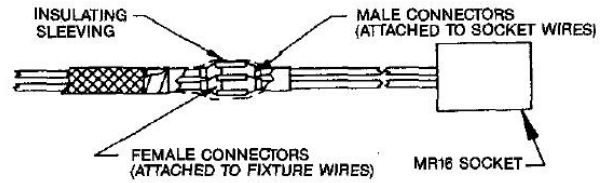


FIG. H

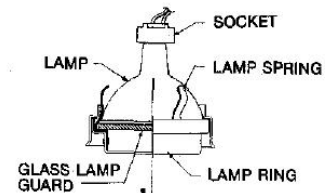


FIG. I

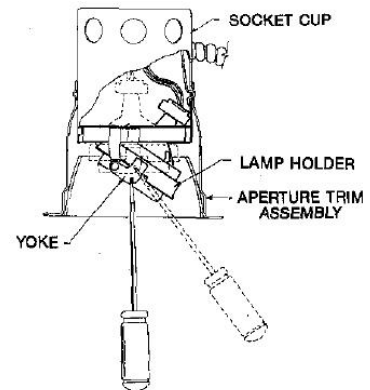


FIG. J

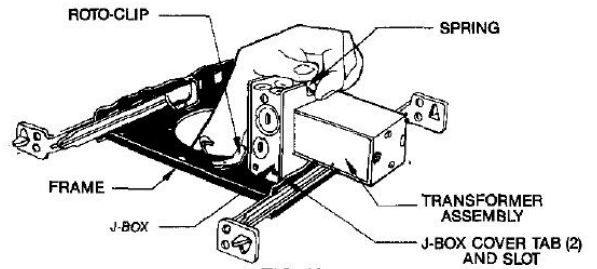


FIG. K

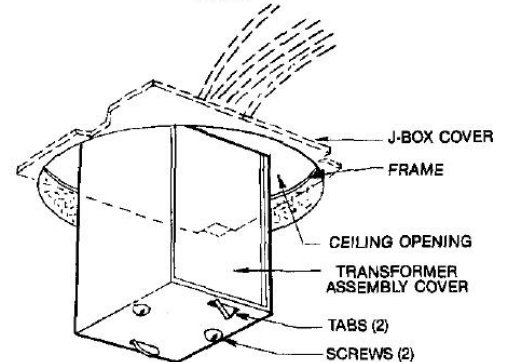


FIG. L

LIGHTOLIER®

LIGHTOLIER A GENLYTE COMPANY
631 Airport Road, Fall River, MA 02720