

READ AND UNDERSTAND THESE INSTRUCTIONS BEFORE INSTALLING FIXTURE.

This fixture is intended for installation in accordance with the National Electrical Code and local or Federal code specifications. To assure full compliance with codes and regulations, check with your local electrical inspector before installation. To prevent electrical shock, turn off electricity at fuse box before proceeding.

Retain these instructions for maintenance reference.

INSTRUCTION SHEET NO.

IS:1102T

E0403

Page 1 of 2

Instructions for Compact Fluorescent Frame-In Kit Installation

WARNING – (RISK OF FIRE) Do not install insulation within 3 inches of fixture sides or wiring compartments, nor above fixture in such a manner as to entrap heat.

FRAME-IN

A. WOOD JOIST/METAL STUD CONSTRUCTION

1. Position Frame-In Kit opening.* Mounting bars can be repositioned to narrow side of frame if required to locate fixture opening as desired. Extend mounting bars, line up bottom edge of bars with bottom of wood joist/metal stud and nail in place. For metal stud (Fig. A2), fasten with machine screws through holes in the mounting bars. Locking screws are provided to lock mounting bars in place once positioned properly (Fig. A).
2. For multiple fixture installations, use centered slots as guides to align adjacent fixture (Fig. A).

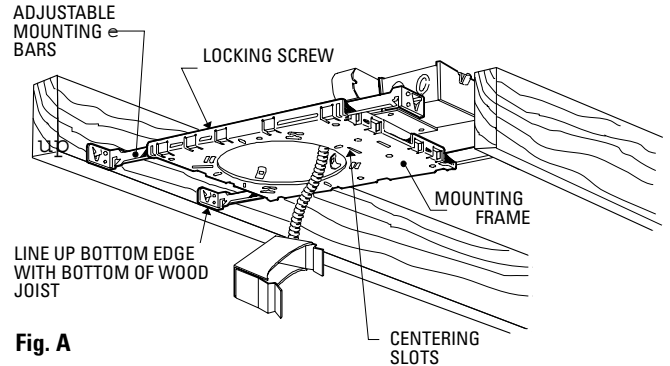


Fig. A

B. SUSPENDED CEILING SYSTEM

1. Position Frame-In Kit opening.* Mounting bars can be repositioned to narrow side of frame if required to locate fixture opening as desired. Extend mounting bars, until notched opening fits on top of T-Bar. (**NOTE:** Make certain that the bottom of the mounting frame is no higher than 1" above the ceiling line).
2. Lock mounting bars by bending tab underneath T-Bar bead (Fig. B1), or by using screws for round T-Bar bead (Fig. B2).

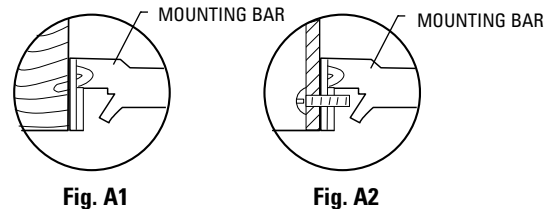


Fig. A1

Fig. A2

WIRE-IN

1. White fixture leads to neutral (white) supply lead. Black fixture leads to hot (black) supply leads. Bare copper and/or green insulated wire(s) must all be connected to supply ground. Use wirenuts for splices (local hardware item). Place all electrical connections in the J-Box.
2. For ROMEX or BX cable use built-in cable clamp in J-Box.

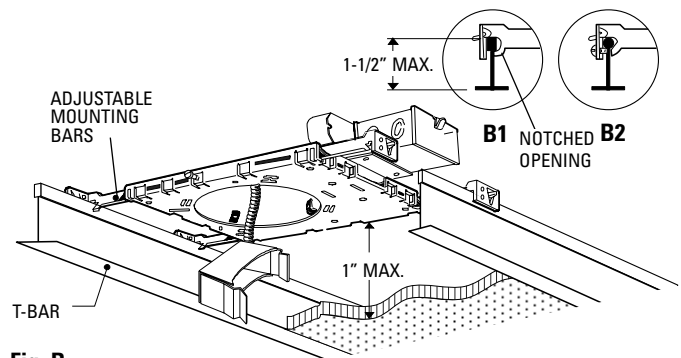


Fig. B

CLOSE-IN

1. Install plasterboard or other dry type ceiling.
2. Hole in plasterboard can be cut by using mounting frame opening as a guide (Fig. C) (make sure roto clips are rotated counterclockwise out of the hole area, see Fig. D).
3. For wet plaster ceilings, use plaster Ring Accessory No. 1961 (ordered separately).

* See Page 2 for Frame-In Kit installation when using wall washer trim (1135).

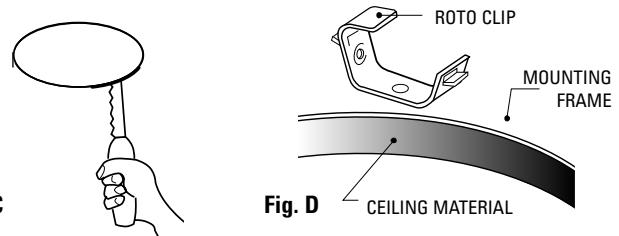


Fig. C

Fig. D

See Reflector Trim Instruction Sheet for Trim Installation

WARNING – Use only reflector trims provided by Lightolier. Use of other Manufacturers' reflector trims voids the Underwriters Laboratories listing and could constitute a fire hazard.

LIGHTOLIER®

LIGHTOLIER a GENLYTE THOMAS company.
631 Airport Road, Fall River, MA 02720

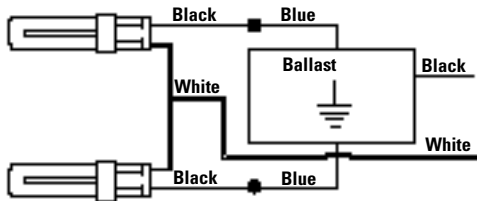
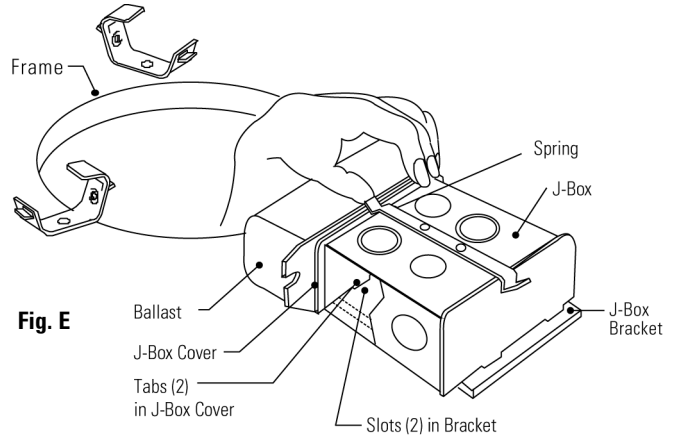
READ AND UNDERSTAND THESE INSTRUCTIONS BEFORE INSTALLING FIXTURE.

This fixture is intended for installation in accordance with the National Electrical Code and local or Federal code specifications. To assure full compliance with codes and regulations, check with your local electrical inspector before installation. To prevent electrical shock, turn off electricity at fuse box before proceeding.

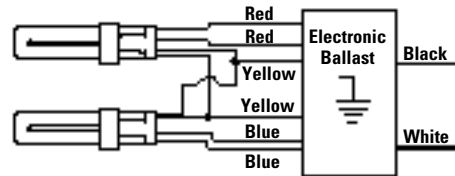
Retain these instructions for maintenance reference.

BALLAST REPLACEMENT (MAGNETIC VERSION SHOWN)

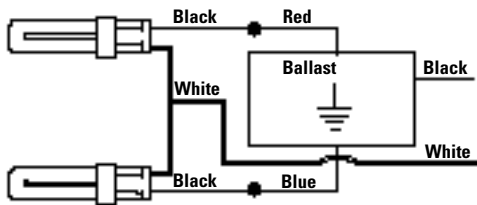
1. TURN OFF POWER.
2. Remove Reflector Trim from ceiling (see Reflector Trim instructions).
3. Remove Ballast assembly by lifting spring on top of J-Box and pulling ballast outward (Fig. E).
4. Disconnect all wiring.
5. Replace Ballast on J-Box Cover (see label on old ballast for proper replacement).
6. Insert ballast assembly through ceiling and rewire fixture (see wire diagram on ballast label).
7. Reassemble new ballast assembly to J-Box by placing tabs with slots in J-Box bracket then snap onto spring.
8. Install Reflector Trim.



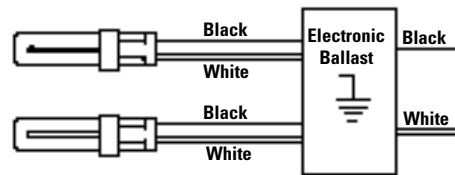
Wiring Diagram For Magnetic NPF Ballast



All 4-Pin Electronic Ballast



Wiring Diagram For Magnetic HPF Ballast



All 2-Pin Electronic Ballast

Frame-In Kit Installation when using Wall Washer Trim (1135T)

