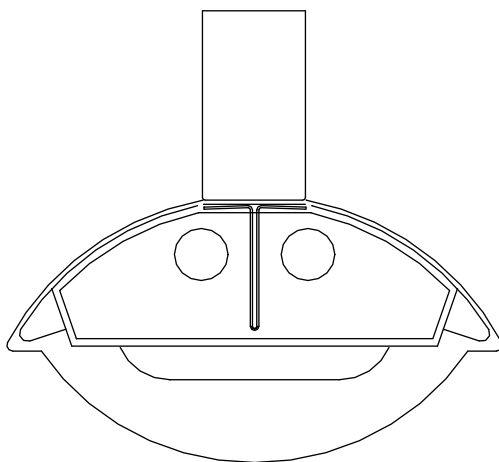


READ AND UNDERSTAND THESE INSTRUCTIONS BEFORE PROCEEDING.
RETAIN THESE INSTRUCTIONS FOR MAINTENANCE REFERENCE.

This fixture is intended for installation in accordance with the National Electrical Code and local regulations. To assure full compliance with local codes and regulations, check with your local electrical inspector before installation. To prevent electrical shock, turn off electricity at electrical panel before proceeding.

DO NOT INSTALL THIS SYSTEM IN A WET OR DAMP LOCATION.
DO NOT ENERGIZE ANYTHING OTHER THAN THE FIXTURES IN THE SYSTEM.
DO NOT EXCEED MAXIMUM WEIGHT LOADING.

CONTRACTOR IS RESPONSIBLE FOR ADEQUATELY REINFORCING CEILING TO SUPPORT FIXTURE WEIGHT.



Silhouette H fixture shown.

Tools Required:

- Phillips head #2 screwdriver
- Slot head screw driver
- Hex head 1/8" wrench

TABLE OF CONTENTS

SAMPLE PART LIST3

SAMPLE RUNS.....7

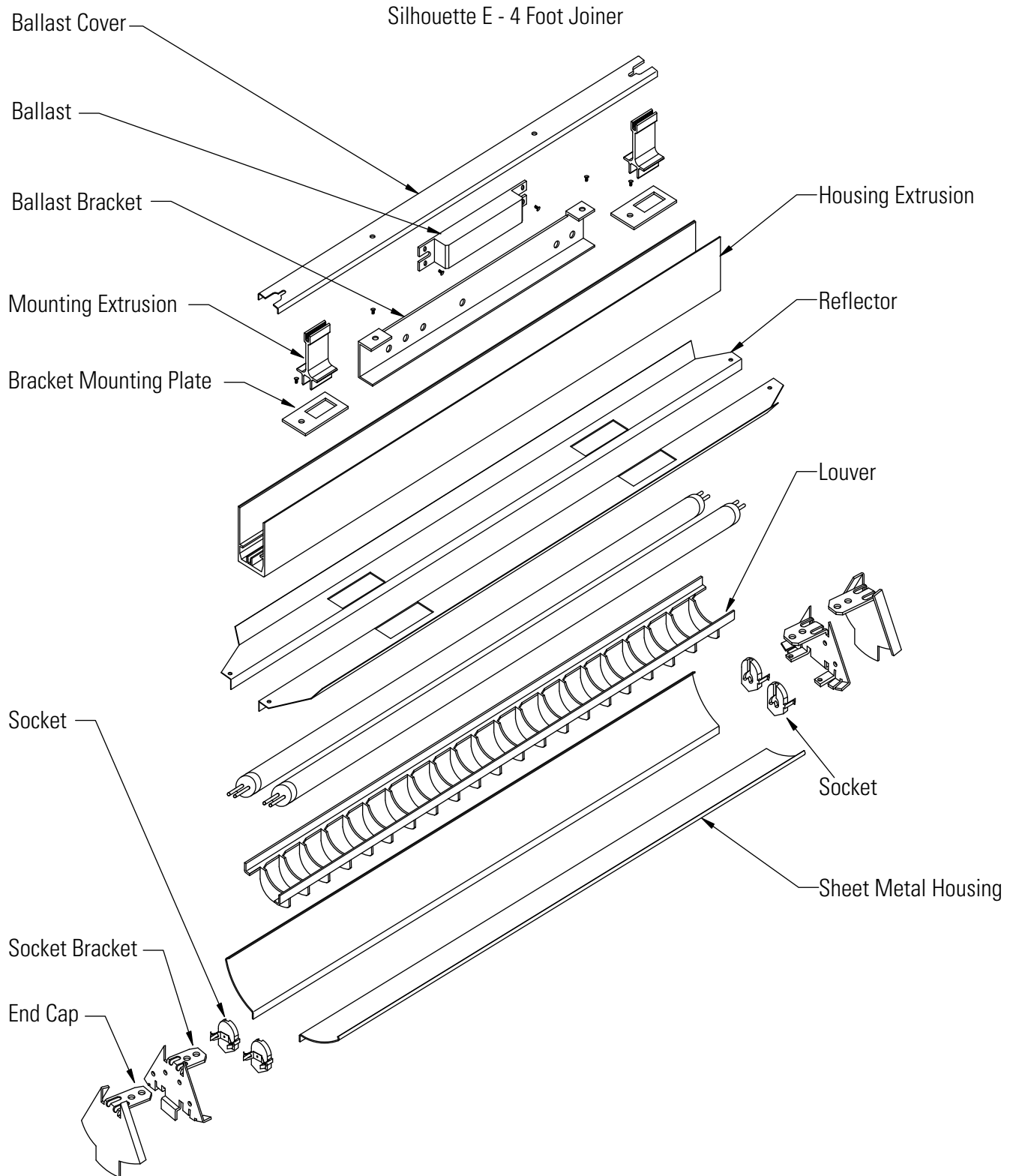
BEGIN INSTALLATION8

CANOPY DETAIL - SLOT TEE11

CANOPY DETAIL - STANDARD 1" TEE12

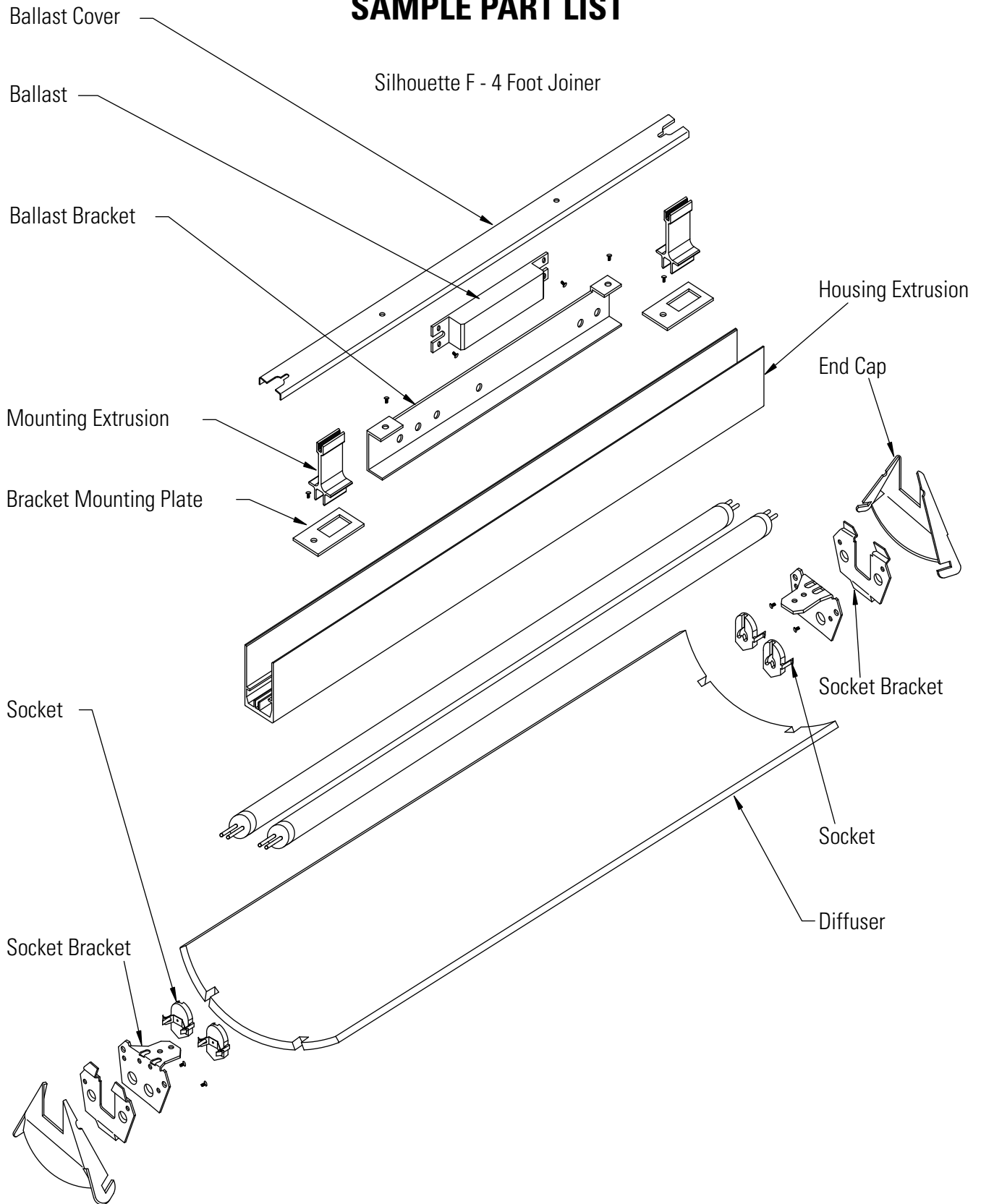
CANOPY DETAIL - JUNCTION BOX.....13

SAMPLE PART LIST



631 Airport Road, Fall River, MA 02720 • (508) 679-8131 • Fax (508) 674-4710
We reserve the right to change details of design, materials and finish.
www.lightolier.com © 2008 Philips Group • B0608

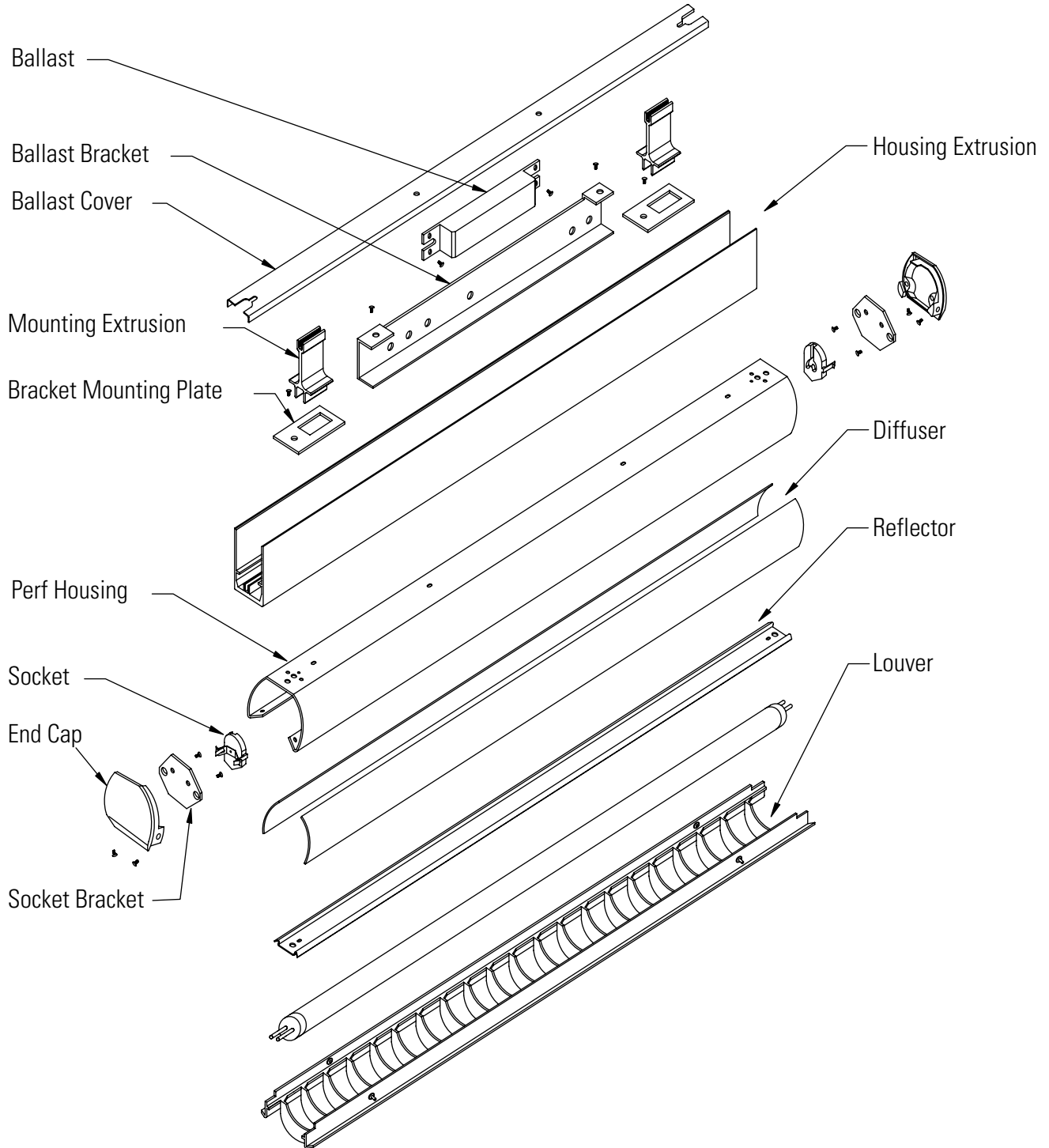
SAMPLE PART LIST



631 Airport Road, Fall River, MA 02720 • (508) 679-8131 • Fax (508) 674-4710
We reserve the right to change details of design, materials and finish.
www.lightolier.com © 2008 Philips Group • B0608

SAMPLE PART LIST

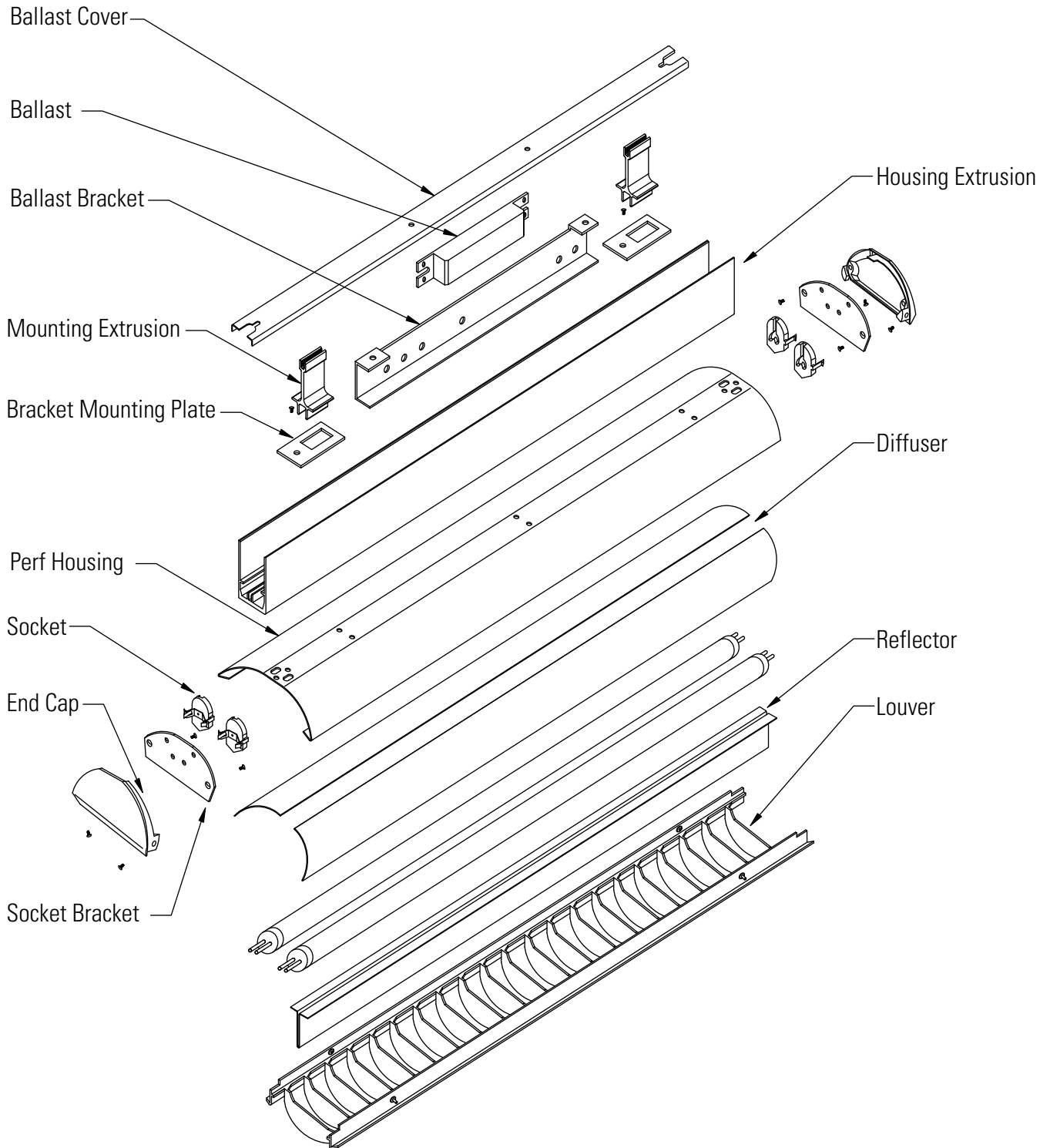
Silhouette G - 4 Foot Joiner



631 Airport Road, Fall River, MA 02720 • (508) 679-8131 • Fax (508) 674-4710
We reserve the right to change details of design, materials and finish.
www.lightolier.com © 2008 Philips Group • B0608

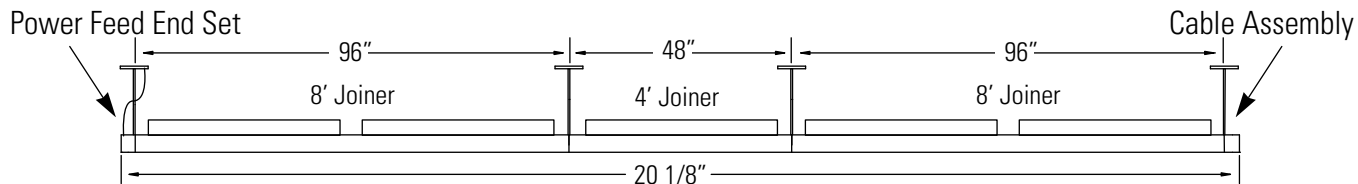
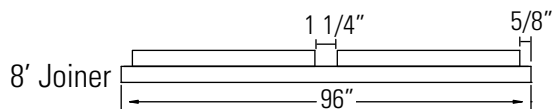
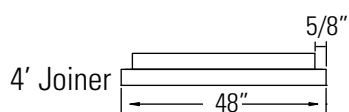
SAMPLE PART LIST

Silhouette H - 4 Foot Joiner



631 Airport Road, Fall River, MA 02720 • (508) 679-8131 • Fax (508) 674-4710
We reserve the right to change details of design, materials and finish.
www.lightolier.com © 2008 Philips Group • B0608

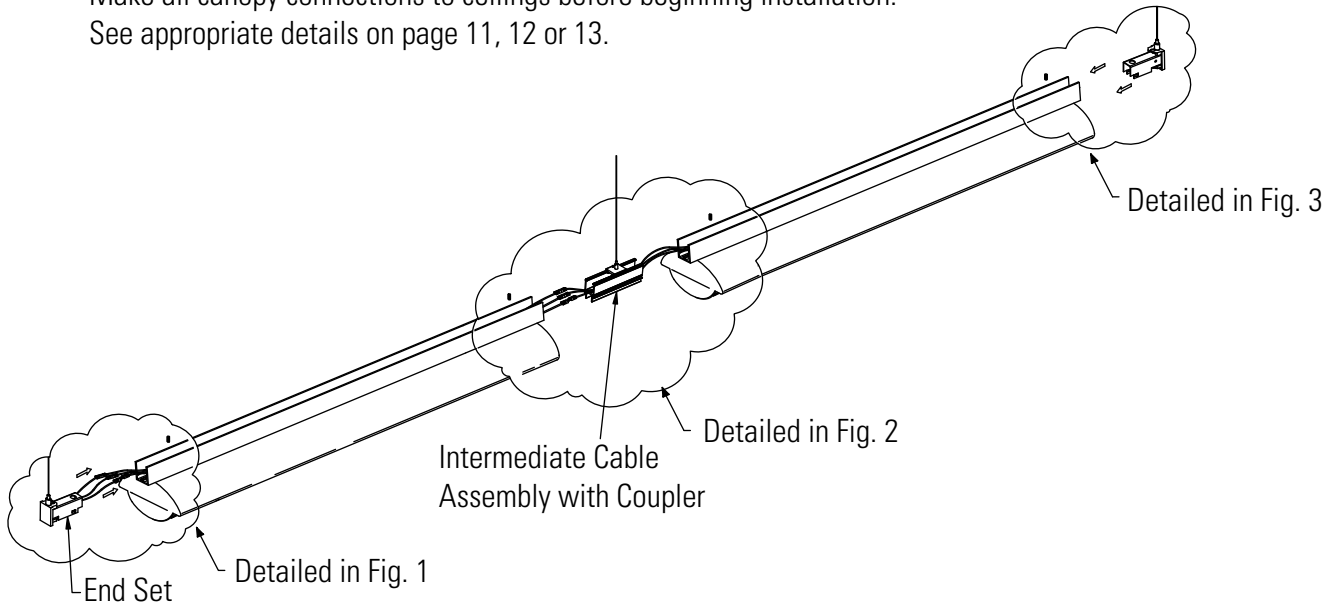
SAMPLE RUNS



BEGIN INSTALLATION

Note: Fixture shown for installation is silhouette B fixture. Silhouette A, C & D are essentially the same.

Make all canopy connections to ceilings before beginning installation.
See appropriate details on page 11, 12 or 13.



END CONNECTION

Step 1.

Connect end set, power feed end set to quick connects. (Fig. 1) See below for enlarged details.

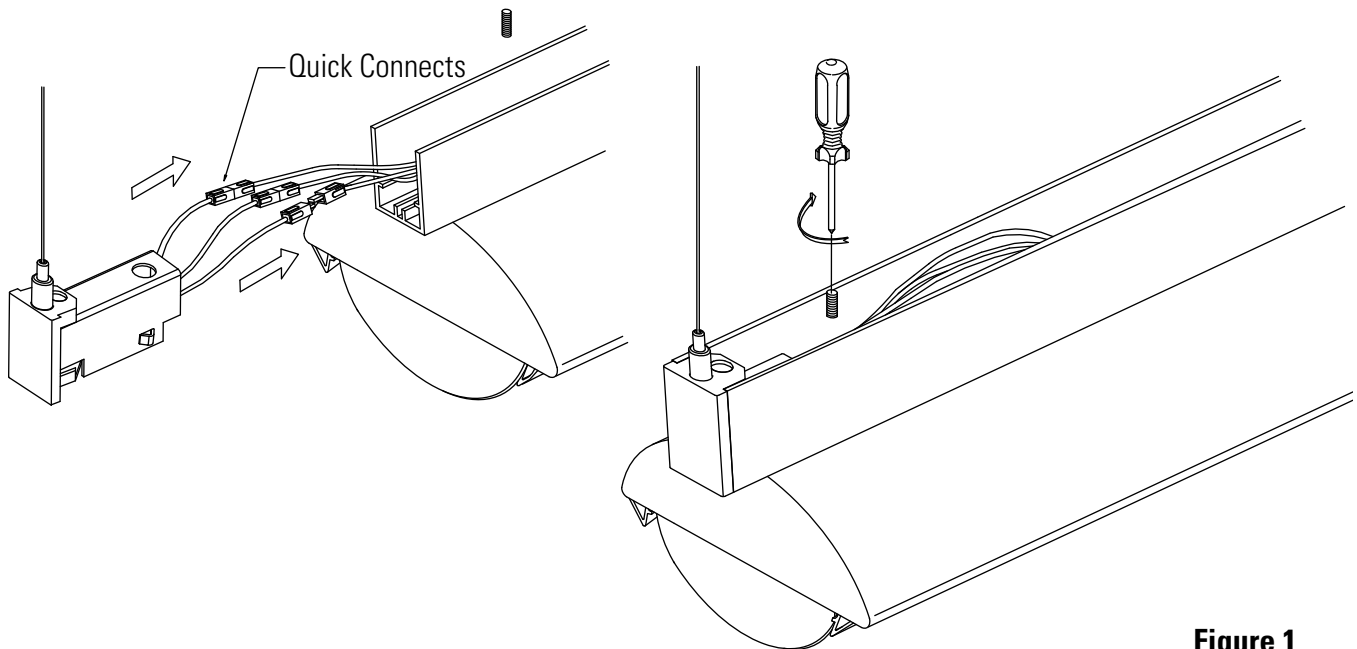
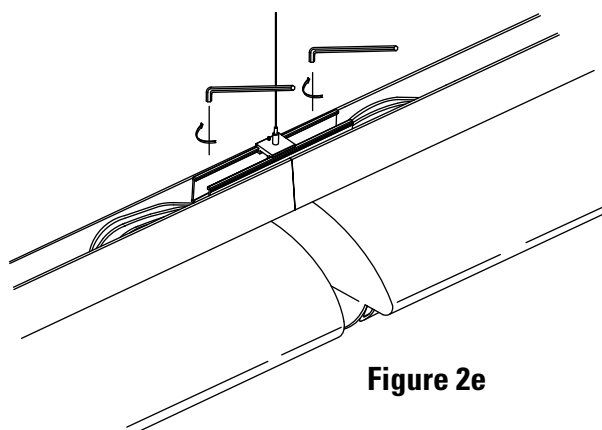
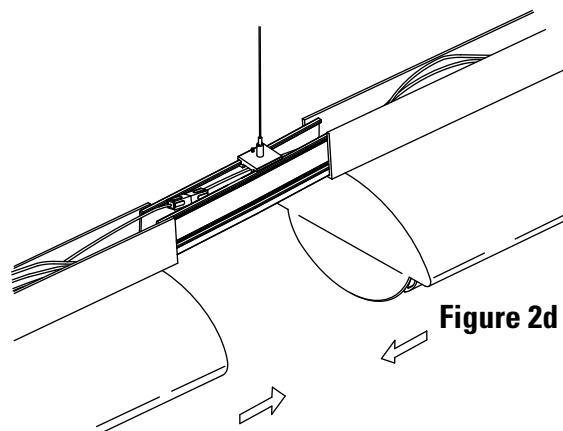
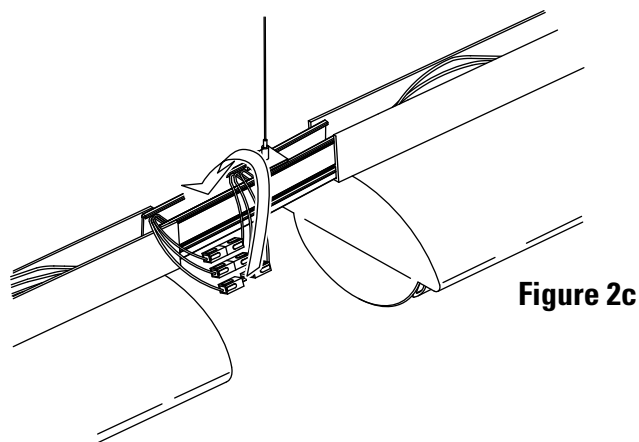
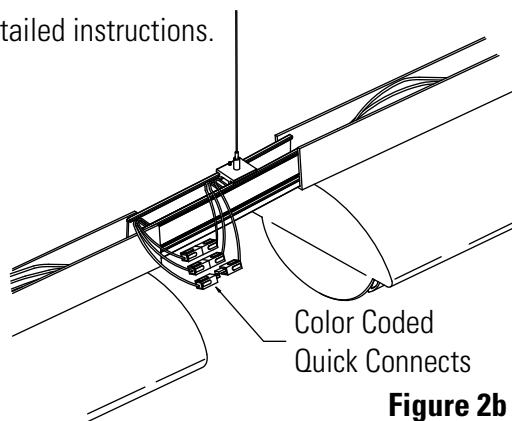
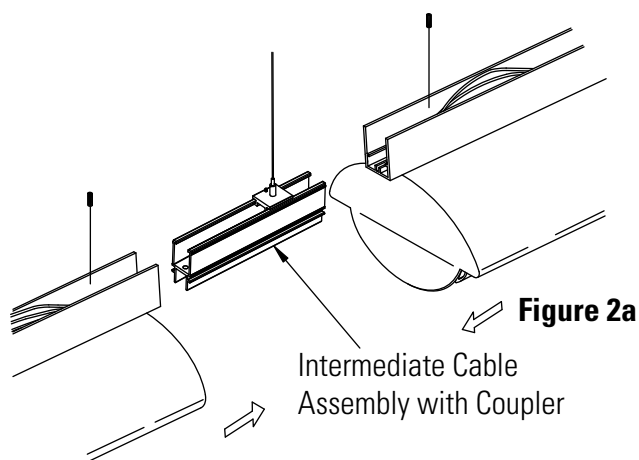


Figure 1

JOINT CONNECTION

Step 2.

Connect intermediate cable assembly. (Fig. 2) See below for detailed instructions.



END CONNECTION

Step 3.

If fixture is an individual or it is the end of the run, see below.

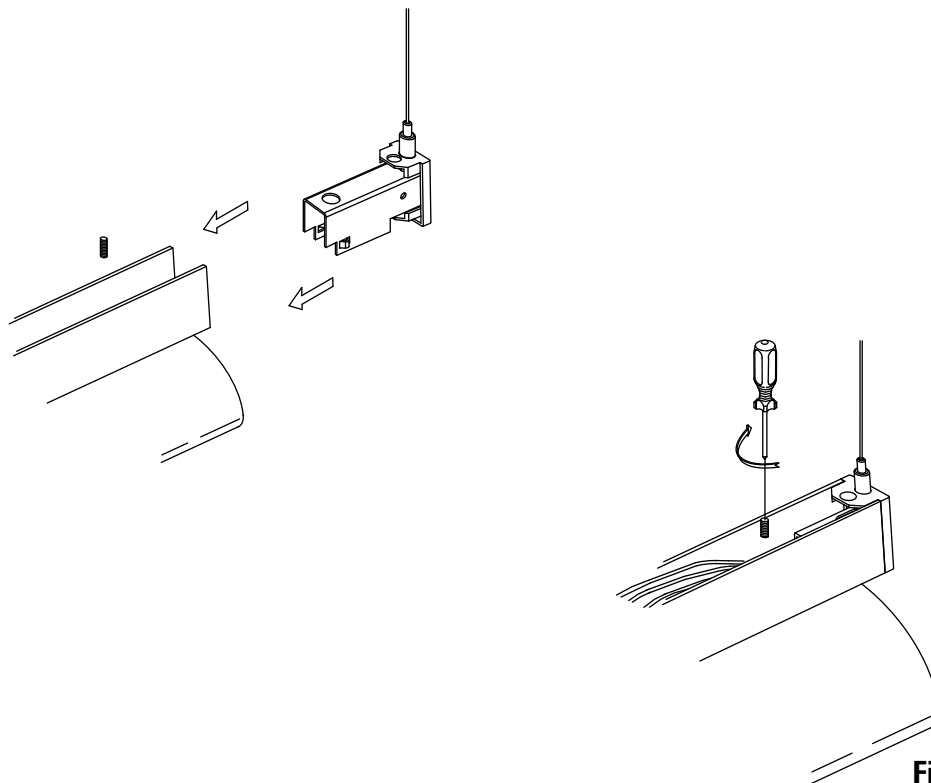


Figure 3

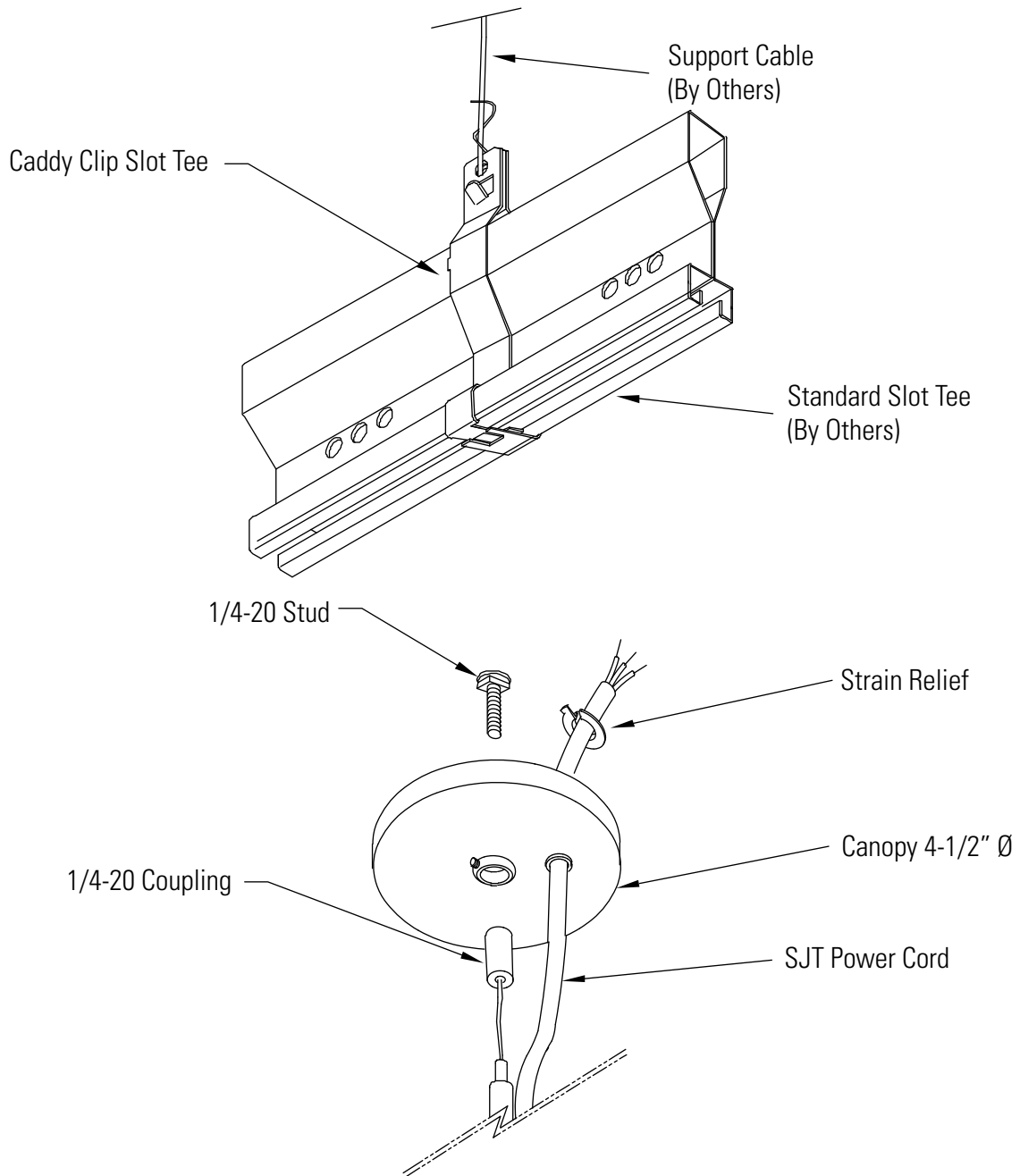
Step 4.

Continue step 2 until run is completed.

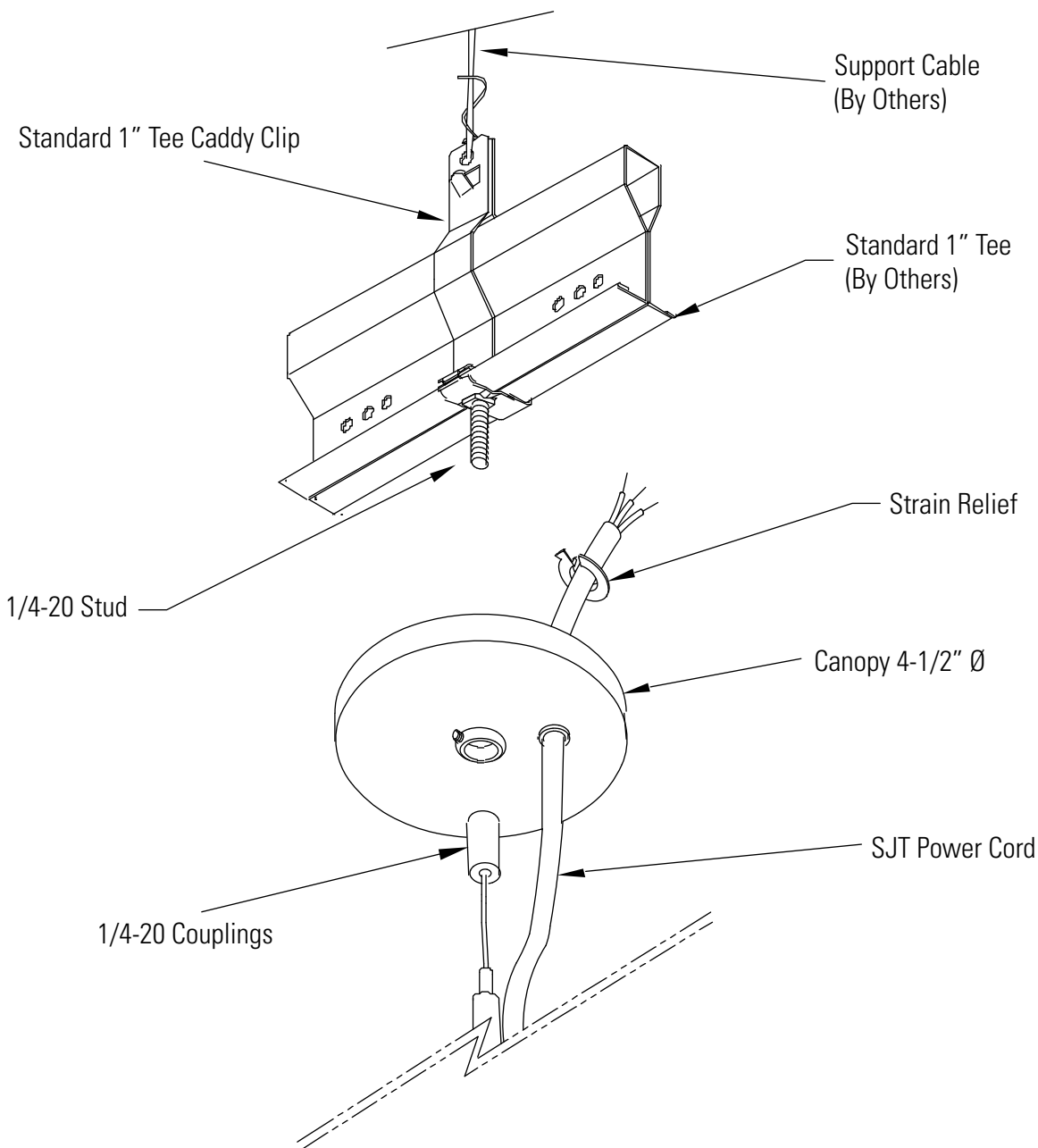
Note: Cable and Gripper (PN MI8588) for detail C must be removed from the last intermediate cable assembly, and placed into the left over end cap from the end set.

Safety Note: Be sure that all wires are not pinched by connection components when sliding parts together. If wires are pinched, the fixture could short or a fire hazard could occur.

CANOPY DETAIL - SLOT TEE



CANOPY DETAIL - STANDARD 1" TEE



CANOPY DETAIL - JUNCTION BOX

