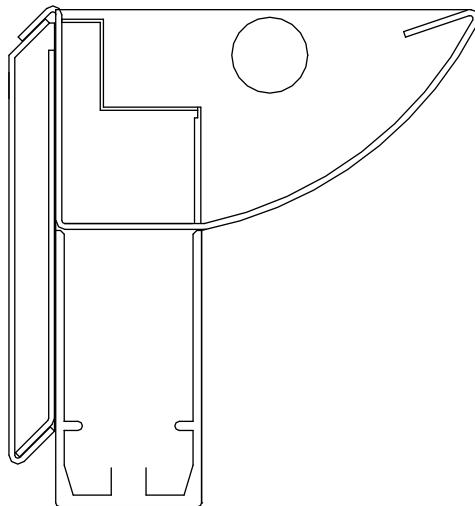


READ AND UNDERSTAND THESE INSTRUCTIONS BEFORE PROCEEDING.
RETAIN THESE INSTRUCTIONS FOR MAINTENANCE REFERENCE.

This fixture is intended for installation in accordance with the National Electrical Code and local regulations. To assure full compliance with local codes and regulations, check with your local electrical inspector before installation. To prevent electrical shock, turn off electricity at electrical panel before proceeding.

DO NOT INSTALL THIS SYSTEM IN A WET OR DAMP LOCATION.
DO NOT ENERGIZE ANYTHING OTHER THAN THE FIXTURES IN THE SYSTEM.
DO NOT EXCEED MAXIMUM WEIGHT LOADING.

CONTRACTOR IS RESPONSIBLE FOR ADEQUATELY REINFORCING WALL TO SUPPORT FIXTURE WEIGHT.



Silhouette K Fixture Shown.

Tools Required:

- Phillips head #2 screwdriver
- Slot head screw driver
- Hex head 1/8" wrench

TABLE OF CONTENTS

SAMPLE PART LIST3

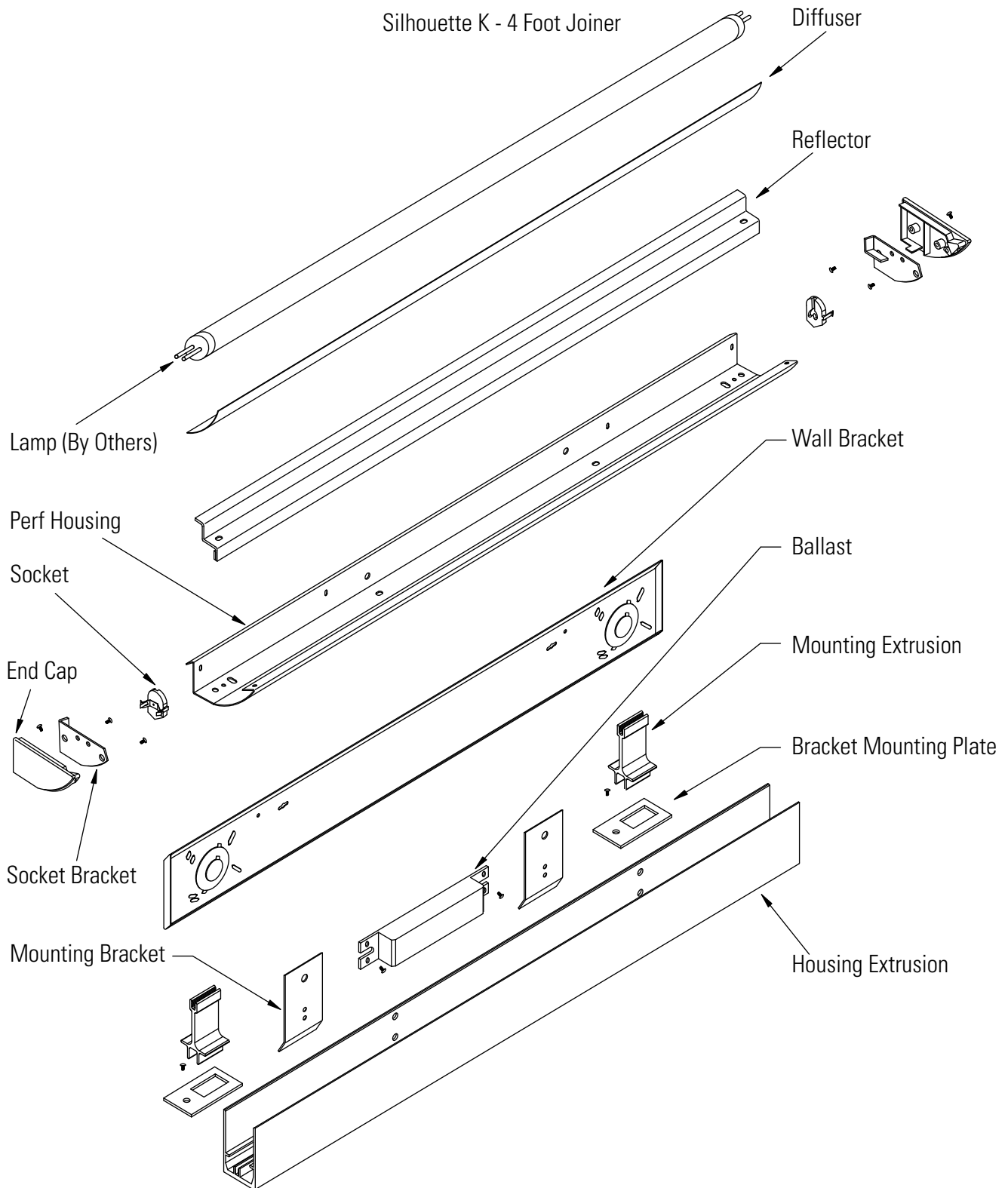
SAMPLE RUNS4

BEGIN INSTALLATION5

JOINT CONNECTION6

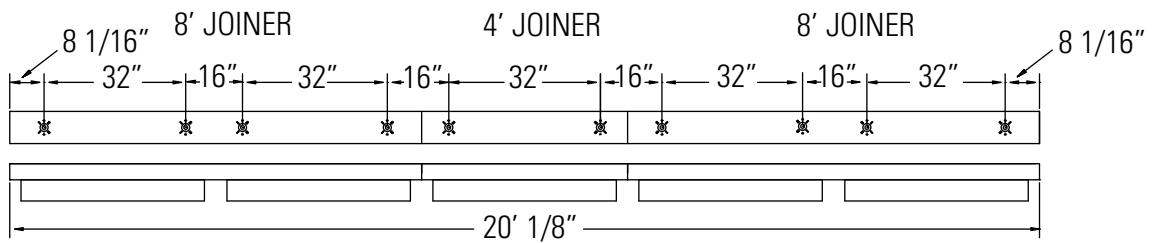
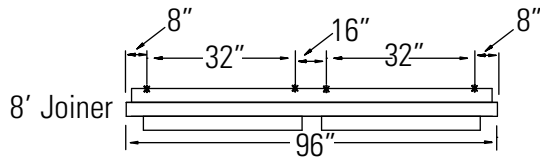
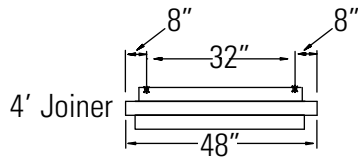
END CONNECTION7

SAMPLE PART LIST



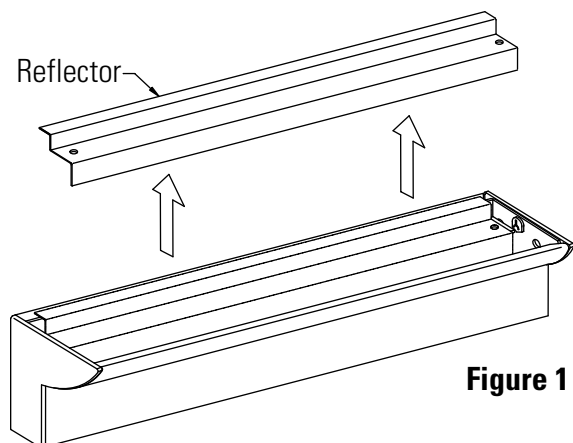
631 Airport Road, Fall River, MA 02720 • (508) 679-8131 • Fax (508) 674-4710
We reserve the right to change details of design, materials and finish.
www.lightolier.com © 2008 Philips Group • B0608

SAMPLE RUNS

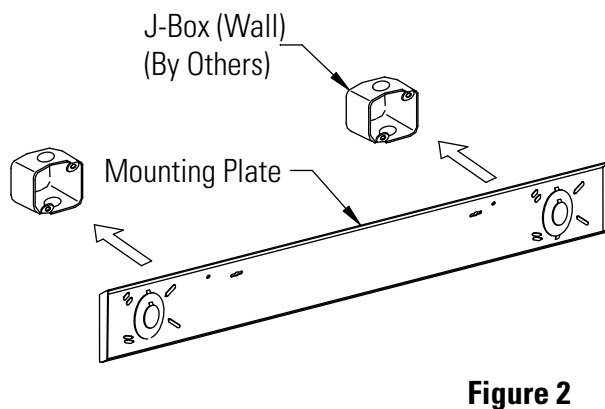


BEGIN INSTALLATION

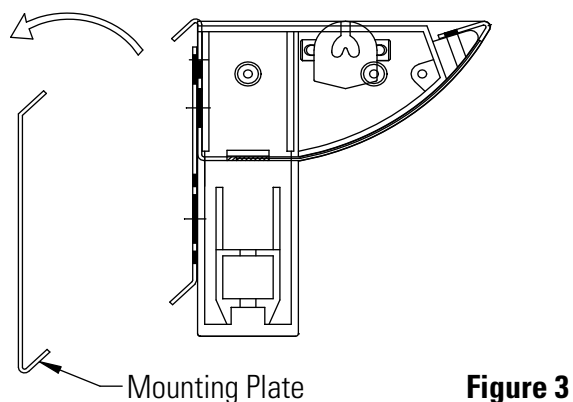
Step 1. Remove reflector.



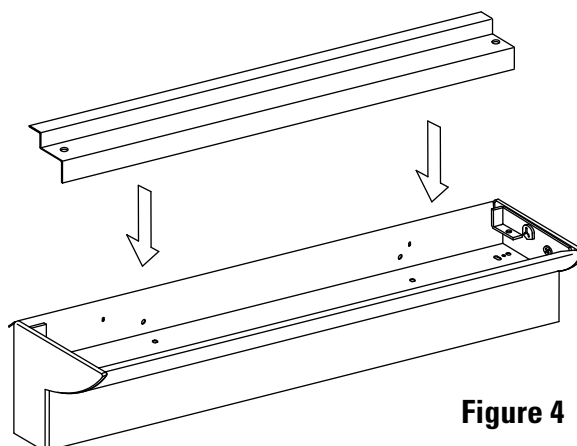
Step 2. Attach mounting plate to j-box (wall).



Step 3. Attach fixture to mounting plate.



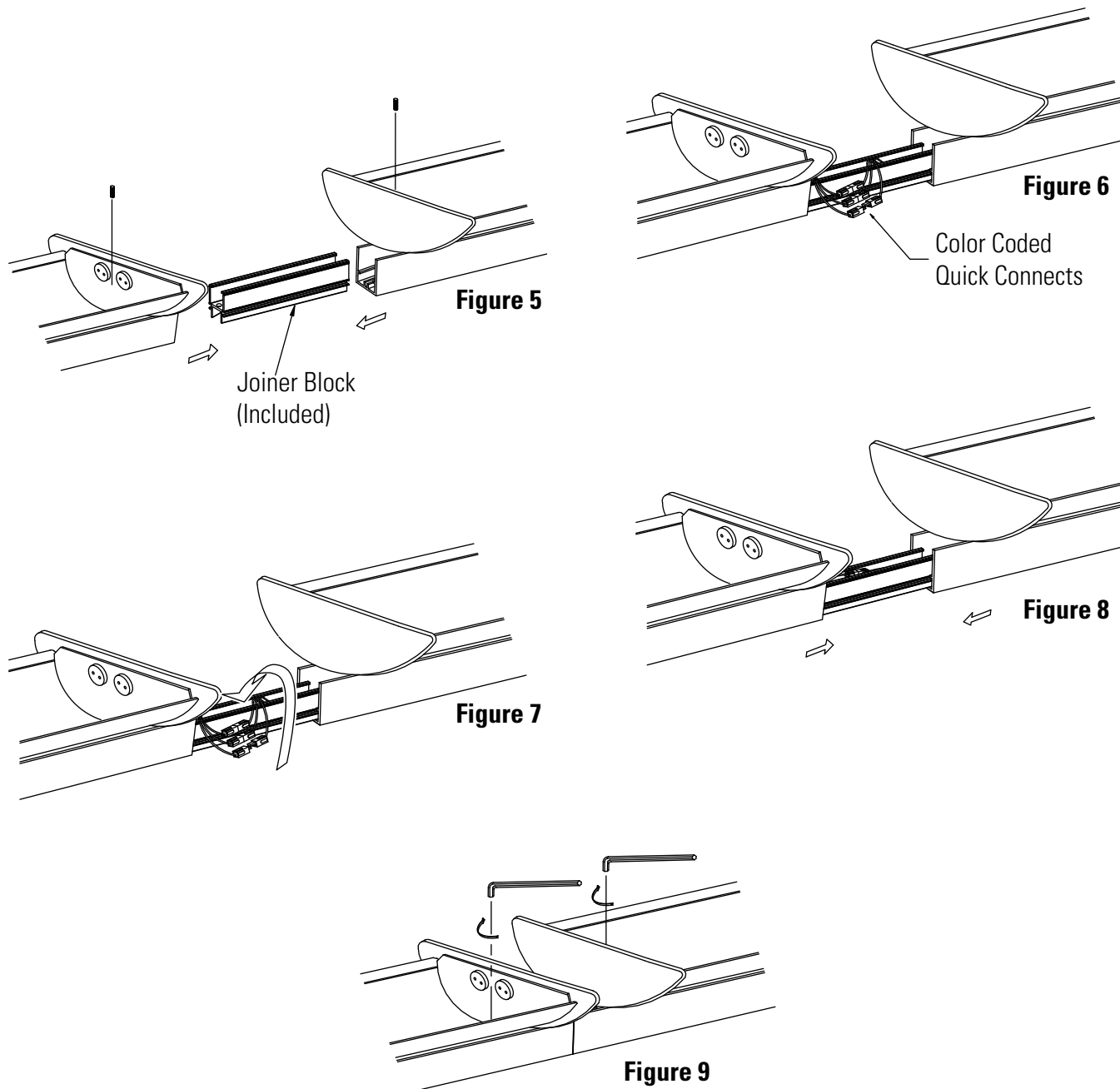
Step 4. Replace reflector.



Note: See page 6 for continuous runs.

JOINT CONNECTION

Method of connection for continuous runs.



Note: Cable mounted Silhouette B fixture is shown in diagrams, but connection of joiner fixtures on Silhouette K is the same except there will be no cables present.

END CONNECTION

