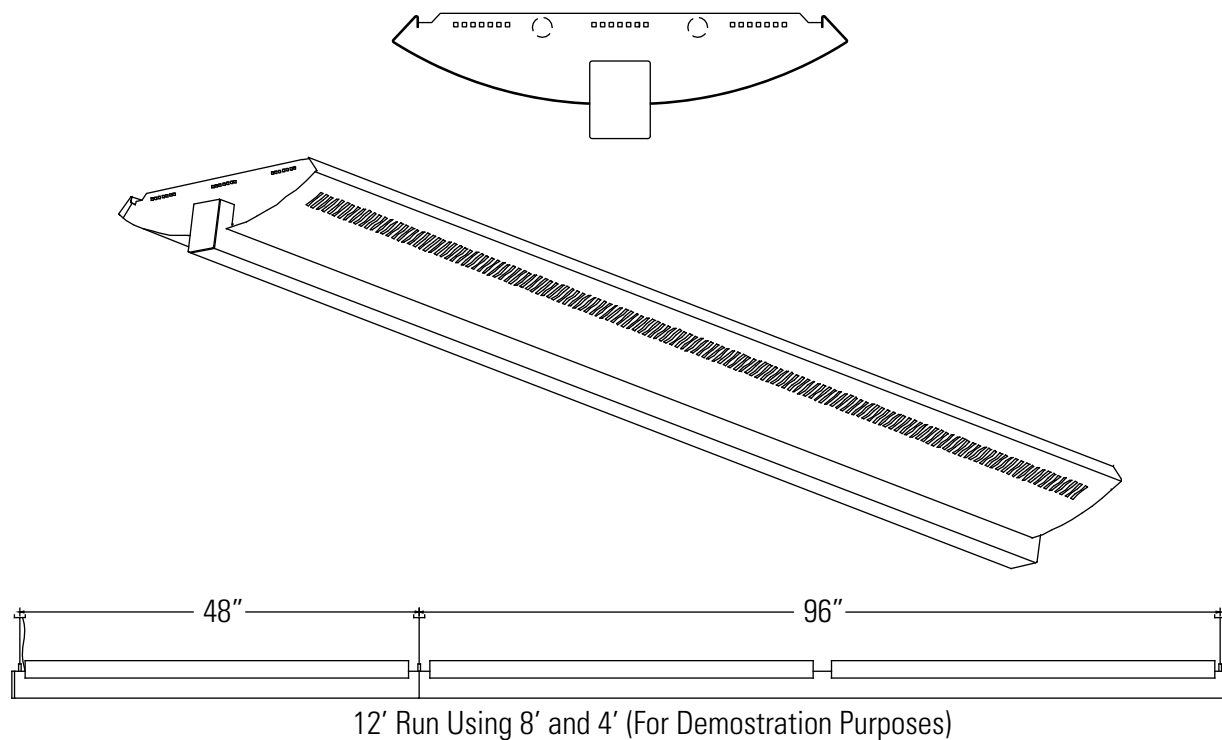


READ AND UNDERSTAND THESE INSTRUCTIONS BEFORE PROCEEDING.
RETAIN THESE INSTRUCTIONS FOR MAINTENANCE REFERENCE.

This fixture is intended for installation in accordance with the National Electrical Code and local regulations. To assure full compliance with local codes and regulations, check with your local electrical inspector before installation. To prevent electrical shock, turn off electricity at electrical panel before proceeding.

DO NOT INSTALL THIS SYSTEM IN A WET OR DAMP LOCATION.
DO NOT ENERGIZE ANYTHING OTHER THAN THE FIXTURES IN THE SYSTEM.
DO NOT EXCEED MAXIMUM WEIGHT LOADING.

CONTRACTOR IS RESPONSIBLE FOR ADEQUATELY REINFORCING CEILING TO SUPPORT FIXTURE WEIGHT.



Step 1. Installing the Suspension

- Install the suspension assembly to the junction boxes. (Fig. 1)
- The first suspension in each run should be from the power feed end set, which contains a power cord and an end cap. (Fig. 2)
- Install the intermediate suspension assemblies to the ceiling structure support.
- At the end of each run, install the non-power feed end cap assembly.

Step 2. Install the First Fixture

- Connect wiring before sliding the power feed end cap onto the fixture. (Fig. 2) Bend back the tab on the bulkhead. (Fig. 2)
- Push the fixture flush with the end cap.
- Tighten the set screw on the inside of the starter fixture.

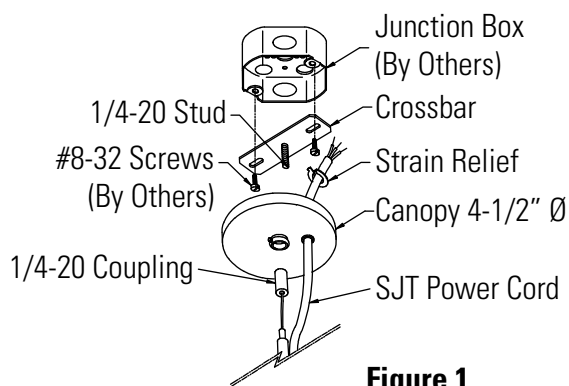


Figure 1

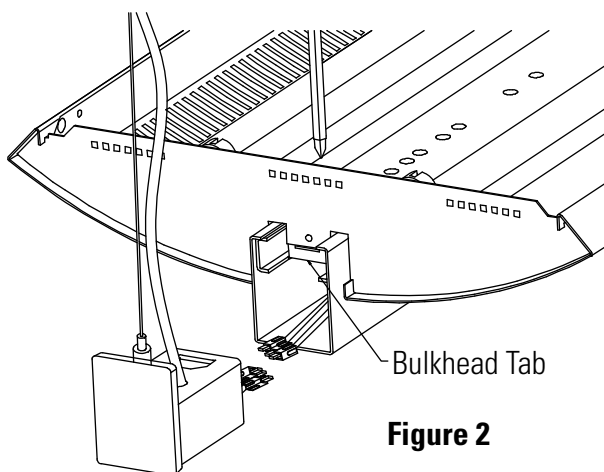


Figure 2

Step 3. Install the Remaining Fixtures

- Connect the wiring between fixtures before sliding fixtures together. (Fig. 3)
- Slide joiner bracket into both fixtures, make sure the wiring does not get pinched. (Fig. 3)
- Tighten down each of the set screws in both fixtures. (Fig. 4)

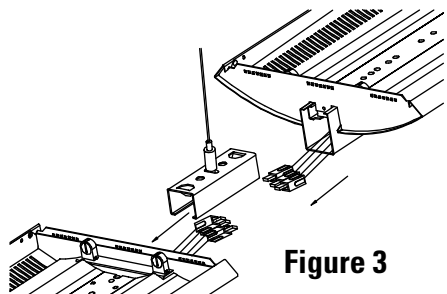


Figure 3

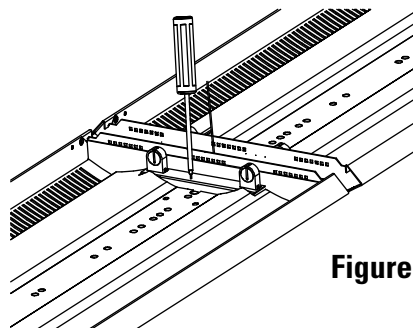


Figure 4

Step 4. End of Run and Leveling

- Install the non-power end cap to the end of the run as done at the beginning of the run in (Fig. 2)
- Attach leveling clip as shown on beginning and end of each run. Slide left or right if required, and tighten.
- While supporting the fixture, depress the nipple at the top of the cable gripper mechanism. This will allow the fixture to be moved up or down on the cable. by releasing the pressure on the nipple the gripper will then hold the cable in position. (Fig. 5)
- If fixture row does not hang level, loosen leveling screws, slide leveling plate until row is level, then tighten leveling screw. This should be completed at each suspension point.

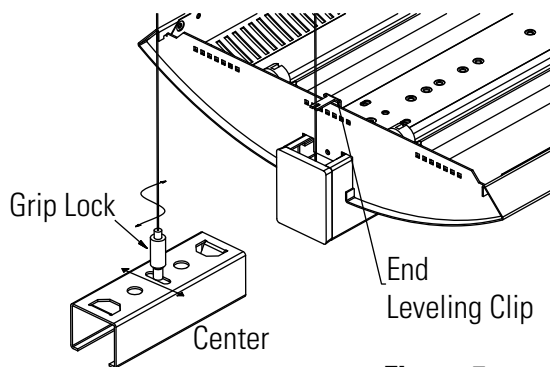


Figure 5