

READ AND UNDERSTAND THESE INSTRUCTIONS BEFORE PROCEEDING.
RETAIN THESE INSTRUCTIONS FOR MAINTENANCE REFERENCE.

This fixture is intended for installation in accordance with the National Electrical Code and local regulations. To assure full compliance with local codes and regulations, check with your local electrical inspector before installation. To prevent electrical shock, turn off electricity at electrical panel before proceeding.

DO NOT INSTALL THIS SYSTEM IN A WET OR DAMP LOCATION.
DO NOT ENERGIZE ANYTHING OTHER THAN THE FIXTURES IN THE SYSTEM.

CONTRACTOR IS RESPONSIBLE FOR ADEQUATELY REINFORCING CEILING TO SUPPORT FIXTURE WEIGHT.

CONTINUOUS RUNS ONLY - PRIOR TO INSTALLING CTS3 IN A GRID CEILING, THE INSTALLING CONTRACTOR MUST ENSURE THAT THE FIXTURE WILL SET INTO TWO MAIN RUNNERS, SPACED 4" ON CENTER. NO GRID CROSS MEMBERS ARE REQUIRED EXCEPT AT THE BEGINNING AND END OF THE RUN.

A. Individual Installation

1. Cut ceiling opening 4 inches wide and as long as required to install fixture. (Fig. 10)
2. Install 2 quick-draw units to individual fixture by removing (2) 5/8" diameter knock-outs on top of housing. Slide in quick-draw unit and secure using (4) no. 8 screws. (Fig. 11 & Fig. 12)
3. Install 2 cables directly above opening approximately same distance apart as quickdraw units in fixture, run cable thru tool-less coupler and pull cables apart to draw coupler tight against structure and make sure there is no less than 12 inches of cable left below ceiling line. (Fig. 1 - Fig. 3)
4. Lift fixture and insert cables thru cable-grippers making sure cables also go thru ballast channel and reflector. Hang from cables until top of fixture is approximately 6 inches away from ceiling line. (Fig. 4 - Fig. 7)
5. Remove access-plate from top of fixture and remove a 7/8" knock-out from it and provide power to fixture per NEC & local codes and re-attach access-plate.
6. While holding non-crimp side of cable, lift fixture until snug against ceiling. (Fig. 4 - Fig. 6) Insert left over cables back thru slots in reflector.
7. Lamp all fixtures with designated lamps and test.
8. Install all diffusers provided with fixtures.

B. Row Installation

1. Cut ceiling opening 4 inches wide and as long as required to install row of fixtures. (Fig. 10)
2. Install 2 quick-draw units to starter fixture by removing (2) 5/8" diameter knock-outs on top of housing, slide in quick-draw unit and secure using (4) no. 8 screws. (Fig. 11 & Fig. 12)
3. Install 2 cables directly above opening approximately same distance apart as quick-draw units in fixture, run cable thru tool-less coupler and pull cables apart to draw coupler tight against structure and make sure there is no less than 12 inches of cable left below ceiling line. (Fig. 1 - Fig. 3)
4. Install 1 quick-draw unit to next fixture, see step 10.
5. Install 1 cable directly above opening, making sure there is no less than 12 inches of cable left below ceiling line. Repeat steps 10 & 11 until all fixtures have a quick-draw unit installed and cables are hanging from structure above. (Fig. 1 - Fig. 4)
6. If this row is scheduled to have an ending telescopic fixture, see installation instructions supplied with that fixture to adjust to proper length.
7. Lift starter and insert cables thru cable-grippers making sure cables also go thru ballast channel and reflector. Hang from cables until top of fixture is approximately 6 inches from ceiling line. (Fig. 4 - Fig. 7)
8. Lift next fixture in row and repeat step 15, make electrical quick connections and secure to previous fixture with supplied 8-32 screw and nut. Repeat steps 12-15 until all fixtures are hanging, connected and secured to each other. (Fig. 4 & Fig. 7)
9. Determine which fixture is intended to provide power to the row. Remove its access-plate and remove a 7/8" knock-out from it and provide power to fixture per NEC & local codes.
10. Slowly raise starter fixture 1 inch and continue along the entire row. (Fig. 8) Repeat lifting procedure until the whole row is snug against ceiling. (Fig. 9) Slide splines to be centered between two fixtures and secure with supplied hardware. Do not move splines prior to this step in the installation procedure. Push left over cable into fixture behind reflector.
11. Lamp all fixtures with designated lamps and test.
12. Install all diffusers provided with fixtures.

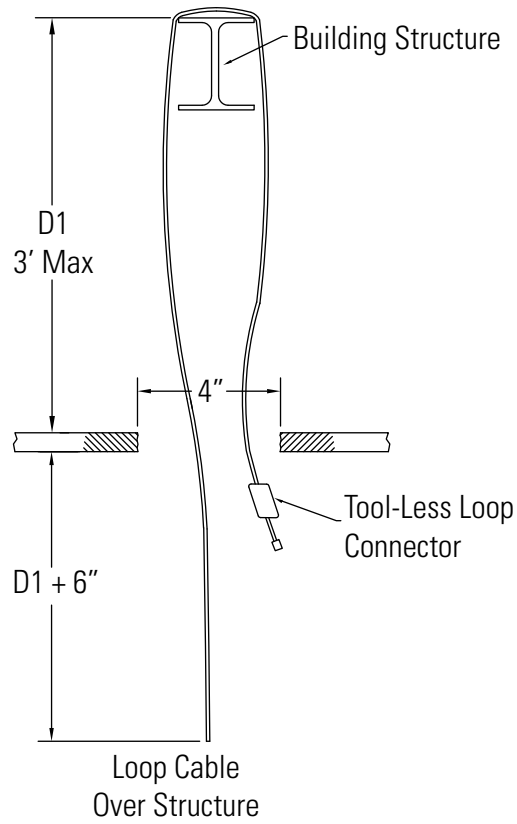


Figure 1

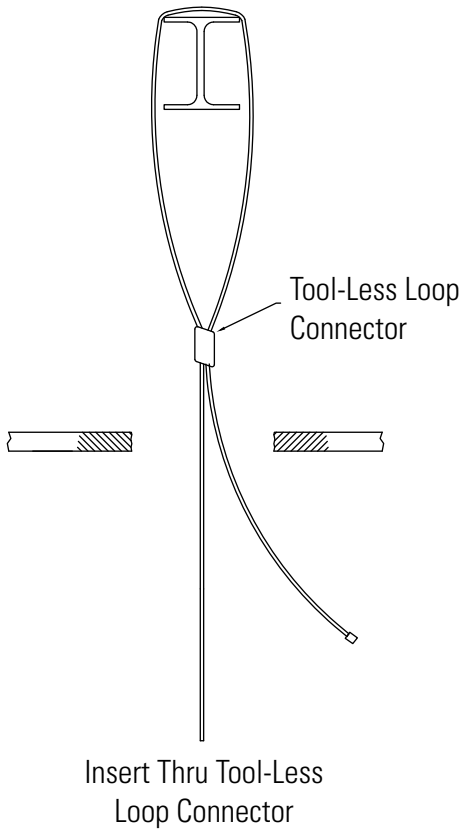


Figure 2

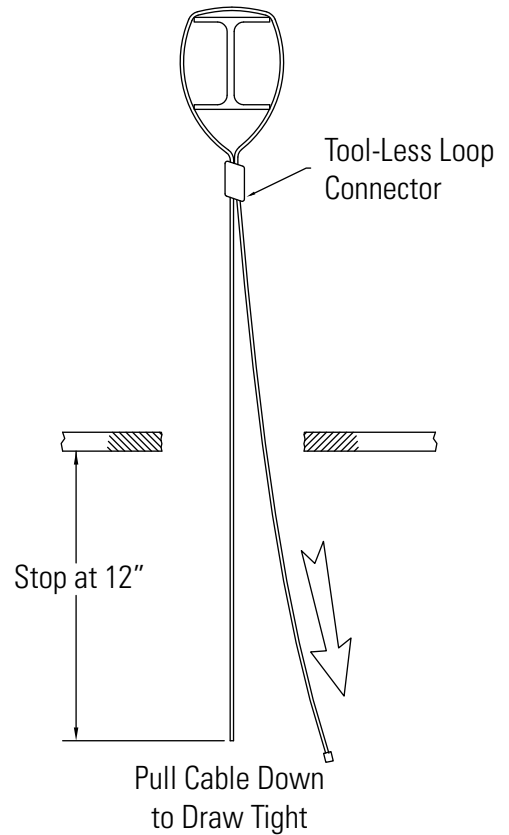


Figure 3

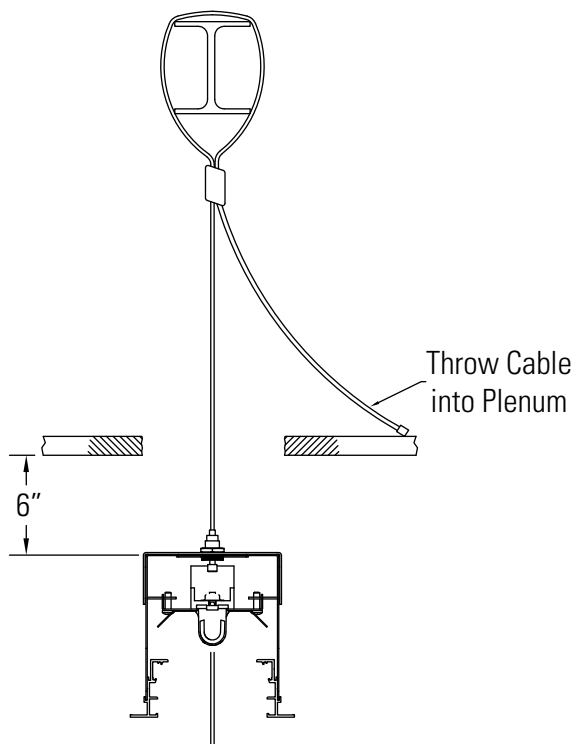


Figure 4

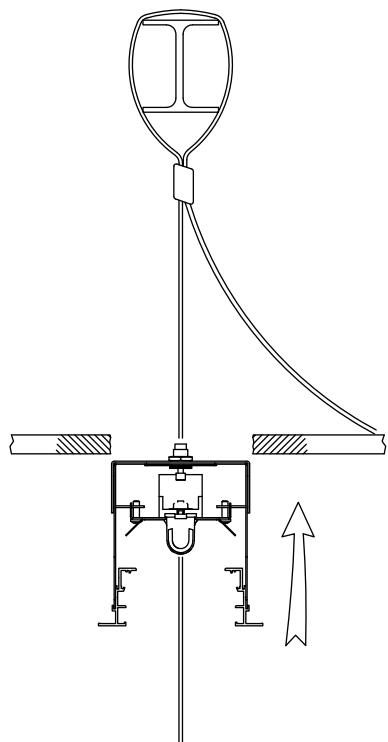


Figure 5

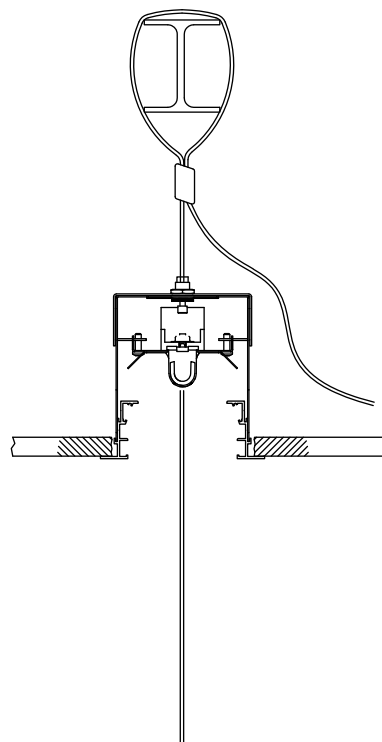


Figure 6

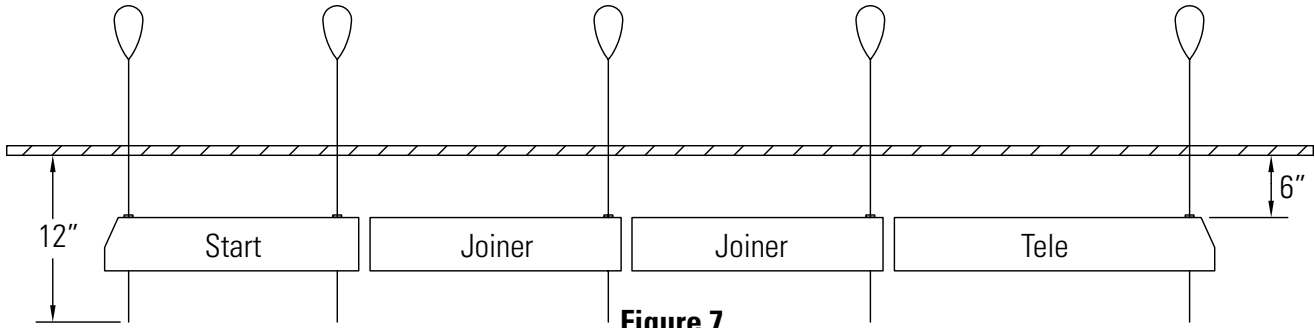


Figure 7

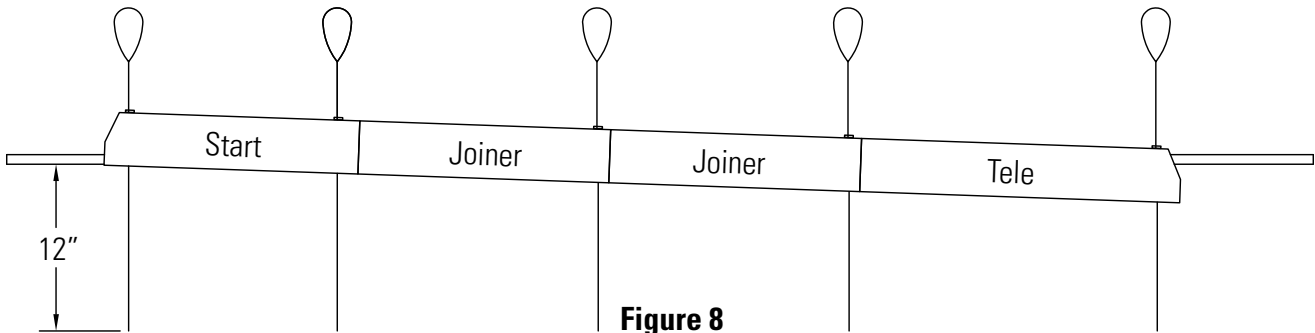


Figure 8

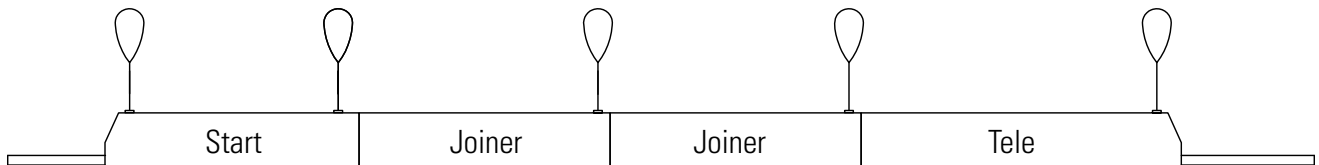


Figure 9

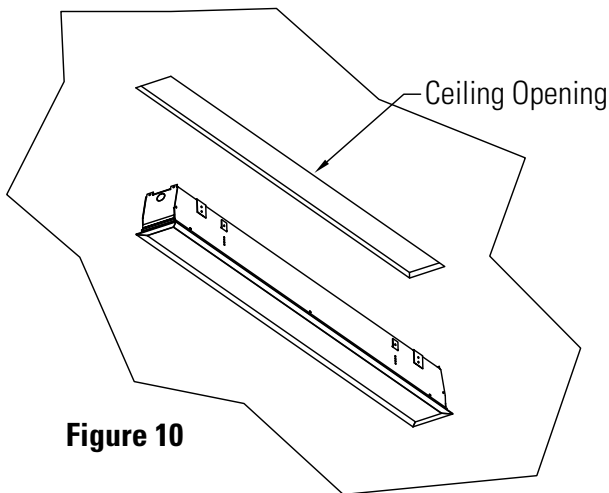


Figure 10

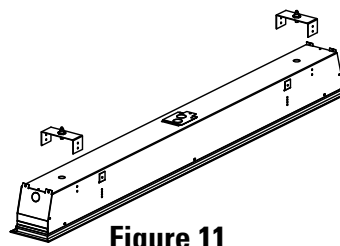


Figure 11

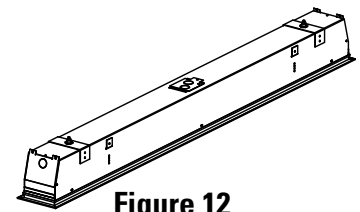


Figure 12