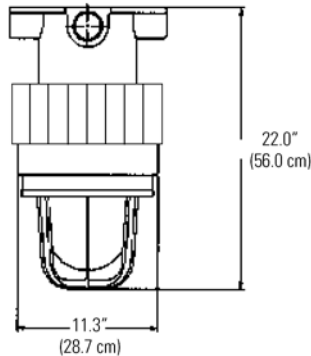


The HS Series self-contained emergency lighting unit is ideal for use in hazardous locations where explosive materials may be present. The HS Series is UL listed for use in Class I, Division 1, Groups C & D; Class II, Division 1, Groups E, F & G, and Class III areas.



Complete Fixture consists of base fixture with three lamps. Select accessories below.

How to Specify:

HS

SERIES

HS = Self-Contained Hazardous Location Emergency Lighting Unit



MOUNTING CONFIGURATION

W = Wall
P = Pendant
C = Ceiling

THF6012

LAMP WATTAGE

THF6012 = (3) 12V, 20W Halogen

Features

- 1. Illumination:** Illumination is accomplished with three 12 volt, 20 watt MR16 lamps. Each high intensity lamp can be independently adjusted to provide custom emergency lighting to a specific area.
- 2. Housing:** Copper-free cast aluminum enclosure with a corrosion resistant, epoxy powder coat finish. Includes high impact, heat resistant globe with a cast aluminum globe guard.
- 3. Electronics:** 120/277 VAC dual voltage input with surge-protected, solid-state circuitry. Charging system is complete with low voltage disconnect, AC lockout, brownout protection, AC indicator lamp and remote hazardous location test switch.
- 4. Battery:** Includes four maintenance free lead calcium batteries to provide 12 VDC output of 60 watts for 90 minutes.
- 5. Input Power Requirements:** 120 VAC - 60 watts; 277 VAC - 60 watts

Code Compliance

UL 924 listed.

Accessories

EFK2 = Exit Accessory Kit (red letter only)

Job Information

Type:

Job Name:

Cat. No.:

Lamp(s):

Notes:

631 Airport Road, Fall River, MA 02720 • (508) 679-8131 • Fax (508) 674-4710
We reserve the right to change details of design, materials and finish.
www.lightolier.com © 2008 Philips Group • D0308