

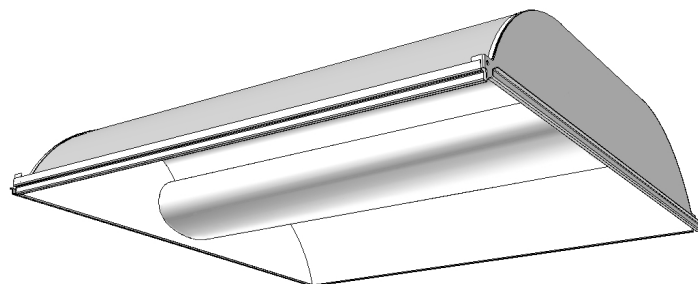
# HP90 Recessed Fluorescent **H9S2GLR214 or 224**

Page 1 of 2

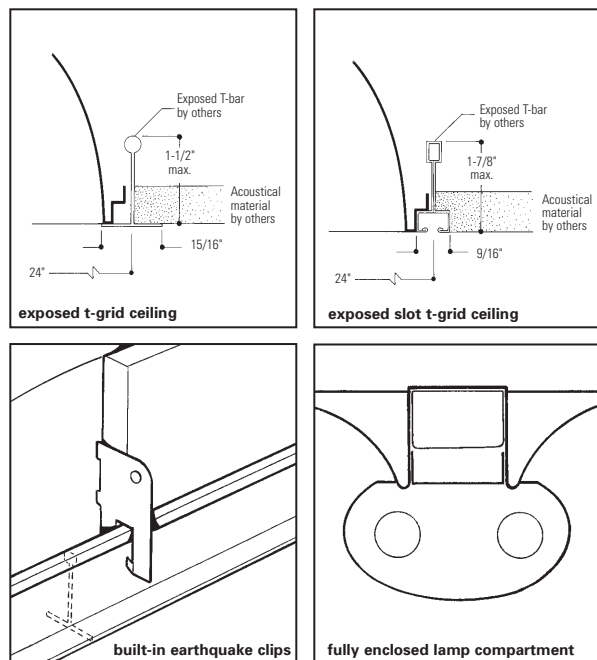
Direct/Indirect – 2' x 2' with Acrylic Linear Prismatic Lens  
Static, 2 Lamp T5

## Features

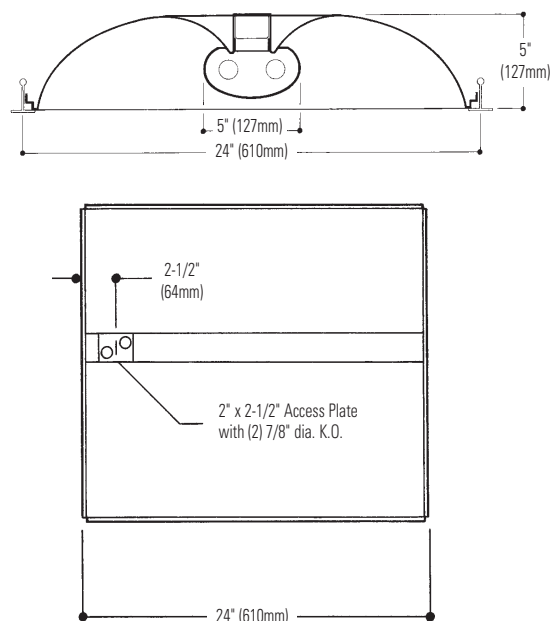
- 77.1% efficient (2 lamp, 14W).
- 76.5% efficient (2 lamp, 24W).
- Direct/indirect appearance with soft contoured interior.
- Lens encloses lamp compartment.
- Translucent DR acrylic linear prismatic lens.
- Tension screws secure ends to body.
- Same fixture fits both G and T ceiling types.
- Fits flush to face of slot grid (T) ceiling types.
- Lamp shield opens from either side.
- 95% reflective specular aluminum reflector.
- Ballast accessible from room side.
- Built-in earthquake clips.
- Can be continuous row mounted.
- Wiring access plate standard.
- Optional DALI ballast i GEN TECHNOLOGY accepts digital dimming controllers, scene controllers and automatic control devices.
- Construction to meet NYC Code or Chicago Plenum available.



## Mounting Methods



## Dimensions



## Job Information

## Type:

**Job Name:**

**Cat. No.:**

**Lamp(s):**

**Volts/Ballast:**

Lightolier a Genlyte company [www.lightolier.com](http://www.lightolier.com)  
 Technical Information: (978) 657-7600 • Fax (978) 658-0595  
 631 Airport Road, Fall River, MA 02720 • (508) 679-8131 • Fax (508) 674-4710  
 We reserve the right to change details of design, materials and finish.  
 © 2006 a Genlyte company **Section 5/Folio M32-15**



# HP90 Recessed Fluorescent **H9S2GLR214** or **224**

### Model No. H9S2GLR214120PG

LER = FP - 58.9 IW - 31.9 BF - 1.0  
Comparative yearly lighting energy cost per 1000 lumens = \$4.07

Report Number: G2006122  
Catalog Number: H9S2GLR214120PG  
Lamps: F14T5  
Luminaire: HP90 2' x 2' with linear prismatic lens.  
Ballast: B228PUNV-C  
Report is based on 1220 Lumens per lamp.  
Efficiency: 77.1%  
CIE Type-Direct-Indirect  
Plane: 0-Deg 90-Deg  
Spacing Criteria: 1.3 1.4  
Shielding Angles: 90 90  
Plane: 0-Deg 90-Deg  
Luminous Length: 22.800 22.800

#### CANDELA DISTRIBUTION

	0.0	45.0	90.0	FLUX
0	602	602	602	
5	599	604	609	58
15	577	613	642	173
25	535	612	633	275
35	474	548	562	336
45	393	448	456	339
55	292	329	355	295
65	184	231	277	231
75	89	145	178	145
85	17	23	19	29
90	2	2	2	

#### COEFFICIENTS OF UTILIZATION – ZONAL CAVITY METHOD. EFFECTIVE FLOOR CAVITY REFLECTANCE 0.20

RC	80	50	30
RW 70	50	30	10
1	84	80	77
2	76	70	64
3	69	61	55
4	63	54	47
5	58	48	41
6	54	43	36
7	50	39	33
8	46	36	29
9	43	33	26
10	41	30	24

#### ZONAL LUMEN SUMMARY

ZONE	LUMENS	% LAMP	% FIXT
0- 30	506	20.7	26.9
0- 40	842	34.5	44.7
0- 60	1476	60.5	78.5
0- 90	1881	77.1	100.0
90-180	0	0.0	0.0
0-180	1881	77.1	100.0

#### LUMINANCE DATA IN CANDELA/SQ. METER

AVERAGE IN DEG.	AVERAGE 0-DEG.	AVERAGE 45-DEG.	AVERAGE 90-DEG.
45	1657.	1888.	1922.
55	1517.	1710.	1845.
65	1298.	1629.	1954.
75	1025.	1670.	2050.
85	581.	787.	650.

### Model No. HP9S2GLR224120PG

LER = FP - 66.5 IW - 47.0 BF - 1.0  
Comparative yearly lighting energy cost per 1000 lumens = \$3.61

Report Number: G2006116  
Catalog Number: HP9S2GLR224120PG  
Lamps: F24T5 HO  
Luminaire: HP90 2' x 2' with linear prismatic lens.  
Ballast: B224PUNV-C  
Report is based on 2000 Lumens per lamp.  
Efficiency: 76.5%  
CIE Type-Direct-Indirect  
Plane: 0-Deg 90-Deg  
Spacing Criteria: 1.3 1.4  
Shielding Angles: 90 90  
Plane: 0-Deg 90-Deg  
Luminous Length: 22.800 22.800

#### CANDELA DISTRIBUTION

	0.0	45.0	90.0	FLUX
0	955	955	955	
5	953	958	966	92
15	934	976	1019	277
25	886	980	1008	443
35	786	878	895	539
45	648	720	728	546
55	485	534	569	479
65	324	381	446	382
75	177	244	291	248
85	34	43	35	53
90	3	3	3	

#### COEFFICIENTS OF UTILIZATION – ZONAL CAVITY METHOD. EFFECTIVE FLOOR CAVITY REFLECTANCE 0.20

RC	80	50	30
RW 70	50	30	10
1	83	79	76
2	75	69	64
3	69	60	54
4	63	53	46
5	58	48	41
6	53	43	36
7	49	39	32
8	46	35	29
9	43	32	26
10	40	30	24

#### ZONAL LUMEN SUMMARY

ZONE	LUMENS	% LAMP	% FIXT
0- 30	811	20.3	26.5
0- 40	1350	33.8	44.1
0- 60	2376	59.4	77.7
0- 90	3060	76.5	100.0
90-180	0	0.0	0.0
0-180	3060	76.5	100.0

#### LUMINANCE DATA IN CANDELA/SQ. METER

AVERAGE IN DEG.	AVERAGE 0-DEG.	AVERAGE 45-DEG.	AVERAGE 90-DEG.
45	2731.	3035.	3069.
55	2520.	2775.	2957.
65	2285.	2687.	3146.
75	2038.	2810.	3351.
85	1163.	1471.	1197.

## Ordering Information

Explanation of Catalog Number. Example: H9S2GLR224120PGGLR

<b>HP90</b> Direct/Indirect Recessed	<b>S</b> Body Style: S = Static	<b>2</b> Fixture Width	<b>G</b> Ceiling Type: Fits both Standard Grid and Slot Grid	<b>L</b> Acrylic Lens	<b>R</b> Reflector: Specular Aluminum	<b>2</b> Lamp Quantity 2=2 Lamp	<b>Lamp:</b> (By Others) 14=T5 14W 24=T5HO 24W (Nominal 24")	<b>Voltage:</b> 120, 277 or UNV=120-277	<b>Ballast Type:</b> <20THD <10THD - PG †† 2 Lamp Elec. T5HO (24 Watt) ††Program Rapid Start (UNV only)	<b>Options:</b> Add appropriate suffix to catalog no., ie: (GLR)
<b>H9</b> Standard HP90	<b>HY</b> For NYC Code – I.B.E.W. Manufactured	<b>HN</b> For NYC Code – Local 3 Manufactured								

## Options/Accessories

**Fusing:** Internal fast blow fusing: SUFFIX: **GLR**.  
Internal slow blow fusing: SUFFIX: **GMF**.  
**Drywall Kit:** Order Catalog Number: **FK92X2**.  
**Electrical Wiring Options:** Consult factory.  
**For motion or light sensor.** See Folio OA20-10..

## Specifications

**Performance:** In an installation of 2 lamp 14W luminaires in a room cavity ratio of 1, with reflectance 80% ceiling, 50% wall, 20% floor, the C.U. shall not be less than .80. To reduce glare the average brightness at 65° shall not exceed 1954 candelas per square meter. To control veiling reflections, luminaire output in the 30°-90° zone shall not be less than 73.1%.  
**Materials:** Chassis parts are die-formed code gauge steel.  
**Lamp Shield:** Linear prismatic translucent DR acrylic lens.  
**Finish:** Chassis exterior – baked white acrylic enamel. Cavity – baked flat white acrylic enamel. Phosphate undercoating. Reflector – low iridescence specular aluminum .95% reflectance.

## Specifications (continued)

**Electrical:** Thermally protected class "P" ballast C.B.M. approved, non PCB. If K.O. is within 3" of ballast, use wire suitable for at least 90°. UL Listed for damp locations.  
**Labels:** I.B.E.W./UL and ULc Listed.  
This product may have a mercury containing lamp. Manage in accord with Disposal Laws. See: www.lamprecycle.org

## Job Information Type:

**Lightolier** a Genlyte company www.lightolier.com  
Technical Information: (978) 657-7600 • Fax (978) 658-0595  
631 Airport Road, Fall River, MA 02720 • (508) 679-8131 • Fax (508) 674-4710  
We reserve the right to change details of design, materials and finish.  
© 2006 a Genlyte company **Section 5/Folio M32-15**

