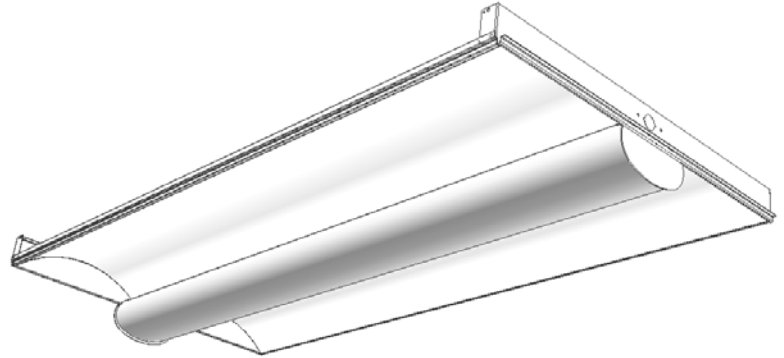
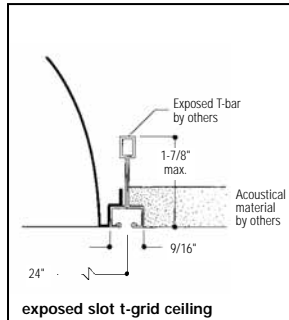
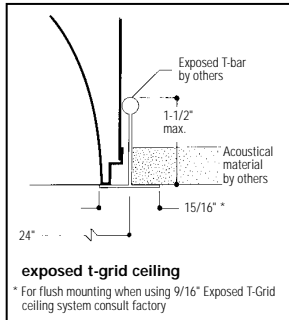


## Features

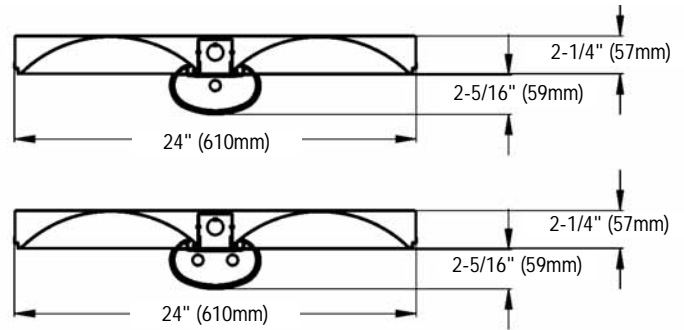
- 87.0% efficient (1 lamp, 28W).
- 88.5% efficient (2 lamp, 28W).
- Only 2-1/4" plenum depth.
- Direct/indirect appearance with soft contoured interior.
- Same fixture fits both G and T ceiling types.
- Fits flush to face of slot grid (T) ceiling.
- Lens encloses lamp compartment.
- Translucent DR acrylic linear prismatic lens.
- Tension screws secure ends to body.
- Lamp shield opens from either side.
- Ballast accessible from room side.
- Wiring access plate standard.
- Optional DALI ballast i GEN TECHNOLOGY accepts digital dimming controllers, scene controllers and automatic control devices.
- Construction meets NYC Code / Chicago Plenum available.



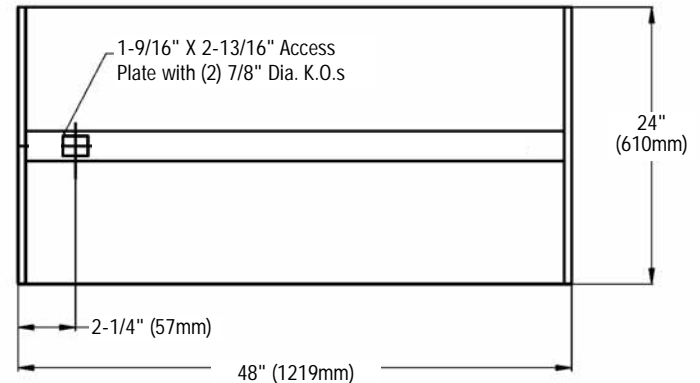
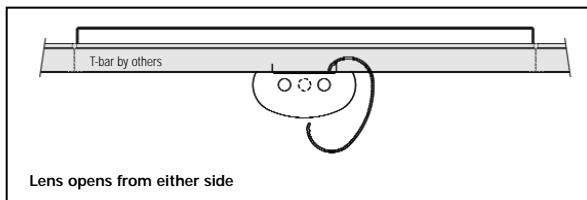
## Mounting Methods



## Dimensions



## Features



## Job Information

## Type:

**Job Name:**

**Cat. No.:**

**Lamp(s):**

**Volts/Ballast:**

For Factory Technical Information: (978) 657-7600 • Fax (978) 658-0595  
631 Airport Road, Fall River, MA 02720 • (508) 679-8131 • Fax (508) 674-4710  
We reserve the right to change details of design, materials and finish.  
www.lightolier.com © 2008 a Philips Group

11/08

Section 5/Folio M33-40

## Direct/Indirect Semi-Recessed Fluorescent 2' x 4' with Acrylic Linear Prismatic Lens, 1 or 2 Lamp T5

### Model No. HDS2GLW128UNVPG

LER = FP - 74.7 IW - 33.3 BF - 1.04  
Comparative yearly lighting energy cost per  
1000 lumens = \$3.21

Report Number: G2008221  
Catalog Number: HDS2GLW128UNVPG  
Lamps: (1) F28 T5  
Luminaire: HP90 Semi-Recessed 2' x 4'  
with linear prismatic lens.  
Ballast: ICN-2S28  
Report is based on 2750 Lumens per lamp.  
Efficiency: 87.0%  
CIE Type-Direct-Indirect  
Plane: 0-Deg 90-Deg  
Spacing Criteria: 1.2 1.4  
Shielding Angles: 90 90  
Plane: 0-Deg 90-Deg  
Luminous Length: 47.880 23.040

#### CANDELA DISTRIBUTION

	0.0	45.0	90.0	FLUX
0	679	679	679	
5	675	676	678	64
15	645	657	668	186
25	587	619	645	285
35	507	563	607	351
45	408	495	561	378
55	295	417	505	366
65	179	336	440	320
75	81	256	370	255
85	18	184	307	187
90	4	121	225	

#### COEFFICIENTS OF UTILIZATION – ZONAL CAVITY METHOD. EFFECTIVE FLOOR CAVITY REFLECTANCE 0.20

RC	80	50	30	10
1	92	87	82	77
2	83	74	67	59
3	75	64	56	48
4	68	57	48	41
5	63	50	42	35
6	58	45	37	30
7	53	41	33	27
8	50	37	29	24
9	46	34	27	21
10	43	31	24	19

#### ZONAL LUMEN SUMMARY

ZONE	LUMENS	% LAMP	% FIXT
0- 30	535	19.5	22.4
0- 40	886	32.2	37.1
0- 60	1630	59.3	68.1
0- 90	2392	87.0	100.0
90-180	0	0.0	0.0
0-180	2392	87.0	100.0

#### LUMINANCE DATA IN CANDELA/SQ. METER

AVERAGE IN DEG.	AVERAGE 0-DEG.	AVERAGE 45-DEG.	AVERAGE 90-DEG.
45	774.	916.	1014.
55	676.	924.	1083.
65	540.	965.	1206.
75	373.	1091.	1466.
85	188.	1614.	2322.

### Model No. HDS2GLW228120WA

LER = FP - 83.7 IW - 54.1 BF - 0.93  
Comparative yearly lighting energy cost per  
1000 lumens = \$2.87

Report Number: G2008223  
Catalog Number: HDS2GLW228120WA  
Lamps: (2) F28 T5  
Luminaire: HP90 Semi-Recessed 2' x 4'  
with linear prismatic lens.  
Ballast: ST232120E (WA)  
Report is based on 2750 Lumens per lamp.  
Efficiency: 88.5%  
CIE Type-Direct-Indirect  
Plane: 0-Deg 90-Deg  
Spacing Criteria: 1.2 1.4  
Shielding Angles: 90 90  
Plane: 0-Deg 90-Deg  
Luminous Length: 47.880 23.040

#### CANDELA DISTRIBUTION

	0.0	45.0	90.0	FLUX
0	1396	1397	1396	
5	1388	1390	1394	132
15	1325	1347	1368	381
25	1207	1266	1315	583
35	1042	1150	1241	718
45	840	1011	1150	775
55	608	855	1034	751
65	370	688	892	655
75	170	517	729	513
85	37	363	573	357
90	7	222	404	

#### COEFFICIENTS OF UTILIZATION – ZONAL CAVITY METHOD. EFFECTIVE FLOOR CAVITY REFLECTANCE 0.20

RC	80	50	30	10
1	94	88	83	79
2	84	76	69	61
3	76	66	58	51
4	69	58	49	42
5	64	51	43	36
6	59	46	38	31
7	54	42	33	27
8	51	38	30	24
9	47	35	27	22
10	44	32	25	20

#### ZONAL LUMEN SUMMARY

ZONE	LUMENS	% LAMP	% FIXT
0- 30	1097	19.9	22.5
0- 40	1815	33.0	37.3
0- 60	3340	60.7	68.7
0- 90	4866	88.5	100.0
90-180	0	0.0	0.0
0-180	4866	88.5	100.0

#### LUMINANCE DATA IN CANDELA/SQ. METER

AVERAGE IN DEG.	AVERAGE 0-DEG.	AVERAGE 45-DEG.	AVERAGE 90-DEG.
45	1593.	1871.	2079.
55	1394.	1895.	2218.
65	1116.	1976.	2446.
75	783.	2203.	2889.
85	386.	3183.	4333.

## Ordering Information

Explanation of Catalog Number. Example: HDS2GLW228UNVPG

<b>HD</b> HP90 Direct/Indirect Semi-Recessed	<b>S</b> Body Style: S = Static	<b>2</b> Fixture Width	<b>G</b> Ceiling Type: Fits both Standard Grid and Slot Grid	<b>L</b> Acrylic Lens	<b>W</b> Reflector: White	<b>28</b> Lamp: (By Others) 28-T5 288W (Nominal 48")	<b>120, 277 or UNV=120-277</b> Voltage:	<b>Ballast Type:</b> <20THD <10THD - <b>PI</b> † - <b>PG</b> †† - <b>VY</b> **	<b>Options:</b> Add appropriate suffix to catalog no., i.e. (A)
---	---------------------------------------	------------------------------	---	--------------------------	---------------------------------	--	--	--	--

## Options/Accessories

**Fusing:** Internal fast blow fusing: SUFFIX: **A**.  
Internal slow blow fusing: SUFFIX: **C**.  
**Drywall Kit:** Order Catalog Number: **FK92X4**.  
**Electrical Wiring Options:** Consult factory.  
**For motion or light sensor.** See Folio OA20-10.

## Specifications

**Performance:** In an installation of 2 lamp 28W luminaires in a room cavity ratio of 1, with reflectance 80% ceiling, 50% wall, 20% floor, the C.U. shall not be less than .88. To reduce glare the average brightness at 65° shall not exceed 2446 candelas per square meter. To control veiling reflections, luminaire output in the 30°-90° zone shall not be less than 77.6%.  
**Materials: Chassis parts** are die-formed code gauge steel.  
**Lamp Shield:** Linear prismatic translucent DR acrylic lens.  
**Finish: Chassis exterior** – Soft white post painted polyester powder. **Cavity** – Soft white post painted polyester powder. Rust preventative undercoating.  
**Reflector** – Soft white post painted polyester powder.

## Specifications (continued)

**Electrical:** Thermally protected class "P" ballast C.B.M. approved, non PCB. If K.O. is within 3" of ballast, use wire suitable for at least 90°.  
UL Listed for damp locations.  
**Labels:** I.B.E.W./UL and ULc Listed.  
This product may have a mercury containing lamp. Manage in accord with Disposal Laws. See: [www.lamprecycle.org](http://www.lamprecycle.org)

## Job Information Type:

For Factory Technical Information: (978) 657-7600 • Fax (978) 658-0595  
631 Airport Road, Fall River, MA 02720 • (508) 679-8131 • Fax (508) 674-4710  
We reserve the right to change details of design, materials and finish.  
[www.lightolier.com](http://www.lightolier.com) © 2008 a Philips Group

Section 5/Folio M33-40