

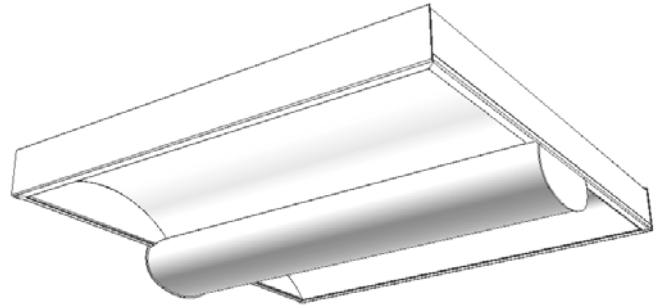
LIGHTOLIER® HP90 Surface HDB2SLW214 or 224

Page 1 of 2

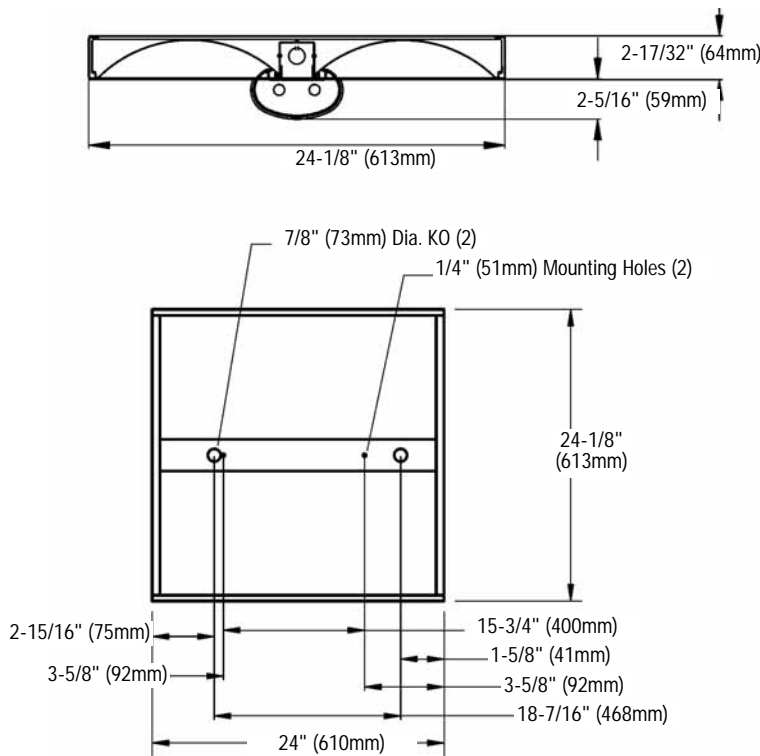
Direct/Indirect Surface Mounted Fluorescent
2' x 2' with Acrylic Linear Prismatic Lens, 2 Lamp T5

Features

- 77.1% efficient (2 lamp, 24W).
- 72.1% efficient (2 lamp, 14W).
- Direct/indirect appearance with soft contoured interior.
- Lens encloses lamp compartment.
- Translucent DR acrylic linear prismatic lens.
- Tension screws secure ends to body.
- Lamp shield opens from either side.
- Ballast accessible from room side.
- Optional DALI ballast i GEN TECHNOLOGY accepts digital dimming controllers, scene controllers and automatic control devices.
- Construction meets NYC Code / Chicago Plenum available.
- Not for continuous row mounting.



Dimensions



Job Information	Type:
Job Name:	
Cat. No.:	
Lamp(s):	
Volts/Ballast:	

For Factory Technical Information: (978) 657-7600 • Fax (978) 658-0595
631 Airport Road, Fall River, MA 02720 • (508) 679-8131 • Fax (508) 674-4710
We reserve the right to change details of design, materials and finish.
www.lightolier.com © 2008 a Philips Group

11/08

Section 5/Folio M33-15

LIGHTOLIER® HP90 Surface HDB2SLW214 or 224

Direct/Indirect Surface Mounted Fluorescent 2' x 2' with Acrylic Linear Prismatic Lens, 2 Lamp T5

Model No. HDB2SLW214120PG

LER = FP - 58.1 IW - 30.6 BF - 1.0
Comparative yearly lighting energy cost per 1000 lumens = \$4.13

Report Number: G2008276A
Catalog Number: HDB2SLW214120PG
Lamps: (2)F14T5
Luminaire: HP90 Semi-Recessed 2' x 2' with linear prismatic lens.
Ballast: ER21120MHT
Report is based on 1200 Lumens per lamp.
Efficiency: 74.1%
CIE Type-Direct-Indirect
Plane: 0-Deg 90-Deg
Spacing Criteria: 1.2 1.4
Shielding Angles: 90 90
Plane: 0-Deg 90-Deg
Luminous Length: 23.040 23.040

CANDELA DISTRIBUTION

	0.0	45.0	90.0	FLUX
0	511	511	511	
5	508	509	512	49
15	486	495	502	140
25	446	466	484	215
35	389	425	458	266
45	315	370	420	285
55	227	310	376	274
65	131	248	324	237
75	59	188	264	185
85	13	131	212	130
90	2	84	151	

ZONAL LUMEN SUMMARY

ZONE	LUMENS	% LAMP	% FIXT
0- 30	403	16.8	22.7
0- 40	669	27.9	37.6
0- 60	1228	51.2	69.0
0- 90	1780	74.1	100.0
90-180	0	0.0	0.0
0-180	1780	74.1	100.0

LUMINANCE DATA IN CANDELA/SQ. METER

AVERAGE IN DEG.	AVERAGE 0-DEG.	AVERAGE 45-DEG.	AVERAGE 90-DEG.
45	1183.	1390.	1578.
55	1012.	1382.	1676.
65	746.	1413.	1846.
75	486.	1548.	2174.
85	204.	2059.	3332.

COEFFICIENTS OF UTILIZATION – ZONAL CAVITY METHOD. EFFECTIVE FLOOR CAVITY REFLECTANCE 0.20

RC	80	50	30	10	50	30	10
RW 70	70	69	66	63	66	64	61
2	71	64	58	59	55	51	57
3	64	55	48	52	46	42	50
4	58	49	41	46	40	35	44
5	54	43	36	41	35	30	39
6	49	39	32	37	31	26	35
7	47	35	28	33	27	23	32
8	43	32	25	30	25	20	29
9	40	29	23	28	22	18	27
10	37	27	21	26	20	17	25

Model No. HDB2SLW224120PG

LER = FP - IW - 46.7 BF - 1.0
Comparative yearly lighting energy cost per 1000 lumens = \$3.63

Report Number: G2008227A
Catalog Number: HDB2SLW224120PG
Lamps: (2) F24T5 HO
Luminaire: HP90 Surface 2' x 2' with linear prismatic lens.
Ballast: ER224120M
Report is based on 2000 Lumens per lamp.
Efficiency: 77.1%
CIE Type-Direct-Indirect
Plane: 0-Deg 90-Deg
Spacing Criteria: 1.2 1.4
Shielding Angles: 90 90
Plane: 0-Deg 90-Deg
Luminous Length: 23.040 23.040
Height of Side: 2.280 2.280

CANDELA DISTRIBUTION

	0.0	45.0	90.0	FLUX
0	885	885	885	
5	882	882	885	84
15	844	858	870	243
25	774	808	839	373
35	674	735	795	460
45	546	643	731	495
55	391	537	655	474
65	227	430	561	409
75	102	323	461	320
85	22	225	368	226
90	3	146	265	

COEFFICIENTS OF UTILIZATION – ZONAL CAVITY METHOD. EFFECTIVE FLOOR CAVITY REFLECTANCE 0.20

RC	80	50	30	10	50	30	10
RW 70	70	69	66	63	66	64	61
2	73	66	60	62	57	53	59
3	67	57	50	54	48	43	51
4	61	50	43	47	41	36	44
5	56	45	37	42	36	31	41
6	51	40	33	38	32	27	37
7	47	36	29	35	28	24	33
8	44	33	26	32	26	21	31
9	41	30	24	29	23	19	28
10	39	28	22	27	21	17	26

ZONAL LUMEN SUMMARY

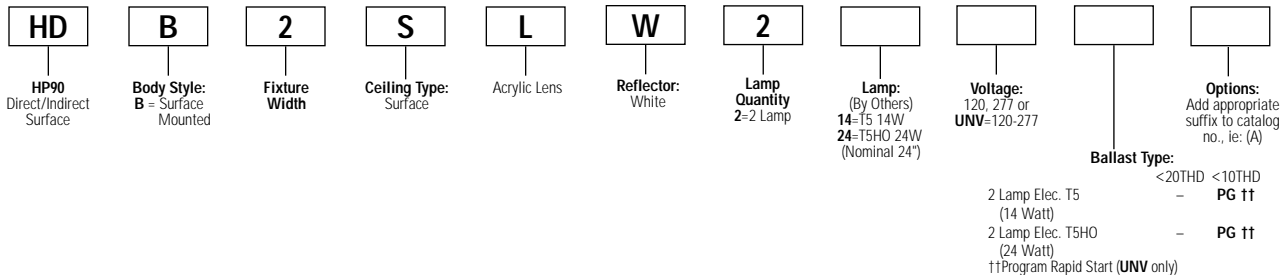
ZONE	LUMENS	% LAMP	% FIXT
0- 30	699	17.5	22.7
0- 40	1160	29.0	37.6
0- 60	2129	53.2	69.0
0- 90	3083	77.1	100.0
90-180	0	0.0	0.0
0-180	3083	77.1	100.0

LUMINANCE DATA IN CANDELA/SQ. METER

AVERAGE IN DEG.	AVERAGE 0-DEG.	AVERAGE 45-DEG.	AVERAGE 90-DEG.
45	2051.	2415.	2746.
55	1743.	2394.	2920.
65	1293.	2450.	3196.
75	840.	2660.	3797.
85	346.	3536.	5783.

Ordering Information

Explanation of Catalog Number. Example: HBS2GLW224UNVPG



Options/Accessories

Fusing: Internal fast blow fusing: SUFFIX: **A**.
Internal slow blow fusing: SUFFIX: **C**.

Electrical Wiring Options: Emergency Packs are only available for remote mounting. Consult factory.

For motion or light sensor. See Folio OA20-10.

Specifications

Performance: In an installation of 2 lamp 24W luminaires in a room cavity ratio of 1, with reflectance 80% ceiling, 50% wall, 20% floor, the C.U. shall not be less than .77. To reduce glare the average brightness at 65° shall not exceed 3196 candelas per square meter. To control veiling reflections, luminaire output in the 30°-90° zone shall not be less than 77.3%.

Materials: Chassis parts are die-formed code gauge steel.

Lamp Shield: Linear prismatic translucent DR acrylic lens.

Finish: Chassis exterior – Soft white post painted polyester powder. **Cavity** – Soft white post painted polyester powder. Rust preventative undercoating.

Specifications (continued)

Reflector – Soft white post painted polyester powder.

Electrical: Thermally protected class "P" ballast C.B.M. approved, non PCB. If K.O. is within 3" of ballast, use wire suitable for at least 90°.

UL Listed for damp locations.

Labels: I.B.E.W./UL and ULc Listed.

This product may have a mercury containing lamp. Manage in accord with Disposal Laws. See: www.lamprecycle.org

Job Information

Type:

For Factory Technical Information: (978) 657-7600 • Fax (978) 658-0595
631 Airport Road, Fall River, MA 02720 • (508) 679-8131 • Fax (508) 674-4710
We reserve the right to change details of design, materials and finish.
www.lightolier.com © 2008 a Philips Group

Section 5/Folio M33-15