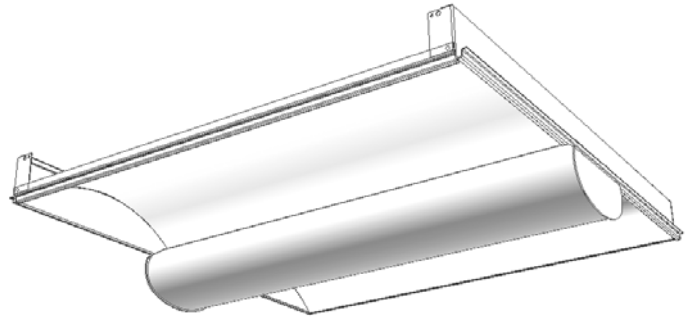


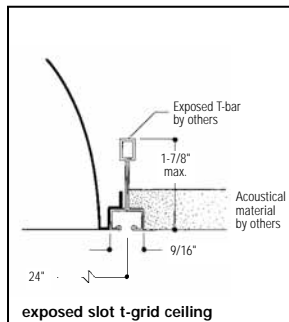
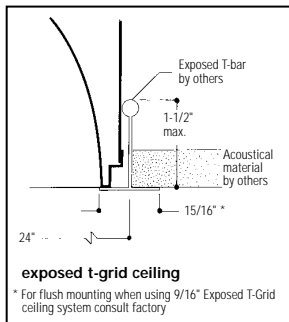
## Direct/Indirect Semi-Recessed Fluorescent 2' x 2' with Acrylic Linear Prismatic Lens, 1 Lamp TT5

### Features

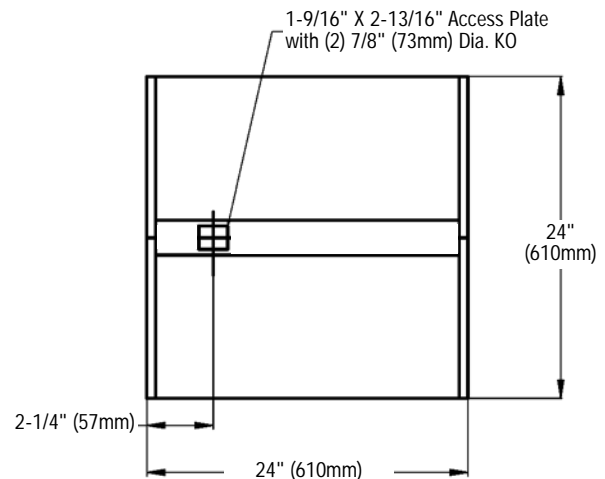
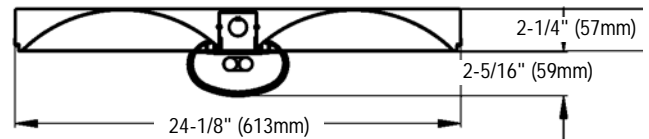
- 78.2% efficient.
- Only 2-1/4" plenum depth.
- Direct/indirect appearance with soft contoured interior.
- Same fixture fits both G and T ceiling types.
- Fits flush to face of slot grid (T) ceiling.
- Lens encloses lamp compartment.
- Translucent DR acrylic linear prismatic lens.
- Tension screws secure ends to body.
- Lamp shield opens from either side.
- Ballast accessible from room side.
- Wiring access plate standard.
- Optional DALI ballast i GEN TECHNOLOGY accepts digital dimming controllers, scene controllers and automatic control devices.
- Construction meets NYC Code / Chicago Plenum available.



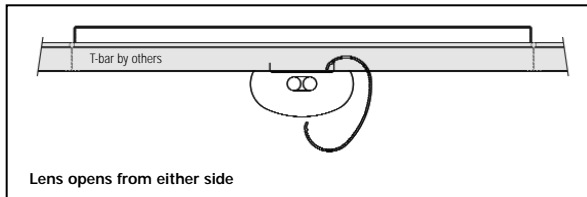
### Mounting Methods



### Dimensions



### Features



Job Information	Type:
<b>Job Name:</b>	
<b>Cat. No.:</b>	
<b>Lamp(s):</b>	
<b>Volts/Ballast:</b>	

For Factory Technical Information: (978) 657-7600 • Fax (978) 658-0595  
631 Airport Road, Fall River, MA 02720 • (508) 679-8131 • Fax (508) 674-4710  
We reserve the right to change details of design, materials and finish.  
www.lightolier.com © 2008 a Philips Group

11/08

Section 5/Folio M33-30

## Direct/Indirect Semi-Recessed Fluorescent 2' x 2' with Acrylic Linear Prismatic Lens, 1 Lamp TT5

### Model No. HDS2GLW1FTUNVPR

LER = FP - 64.1 IW - 38.4 BF - 1.0  
Comparative yearly lighting energy cost per  
1000 lumens = \$3.74

Report Number: G2008239  
Catalog Number: HDS2GLW1FTUNVPR  
Lamps: (1) F40 TT5  
Luminaire: HP90 Semi-Recessed 2' x 2' with  
linear prismatic lens.  
Ballast: ICN-2TTP40-SC  
Report is based on 3150 Lumens per lamp.  
Efficiency: 78.2%  
CIE Type-Direct-Indirect  
Plane: 0-Deg 90-Deg  
Spacing Criteria: 1.2 1.4  
Shielding Angles: 90 90  
Plane: 0-Deg 90-Deg  
Luminous Length: 23.040 23.040

#### CANDELA DISTRIBUTION

	0.0	45.0	90.0	FLUX
0	737	737	737	
5	731	734	736	70
15	699	712	722	201
25	640	669	694	308
35	556	604	646	377
45	449	519	582	399
55	321	425	511	376
65	183	333	428	317
75	81	246	341	242
85	17	174	277	172
90	3	115	208	

#### COEFFICIENTS OF UTILIZATION – ZONAL CAVITY METHOD, EFFECTIVE FLOOR CAVITY REFLECTANCE 0.20

RC	80	50	30
RW	70	50	30
1	83 78 74	73 70 67	70 67 65
2	75 67 61	63 58 54	60 56 53
3	68 59 52	55 49 45	53 48 44
4	62 52 44	49 42 38	47 41 37
5	57 46 39	43 37 32	42 36 32
6	52 41 34	39 33 28	38 32 28
7	49 37 30	36 29 25	34 29 25
8	45 34 27	32 26 22	31 26 22
9	42 31 25	30 24 20	29 24 20
10	40 29 22	28 22 18	27 22 18

#### ZONAL LUMEN SUMMARY

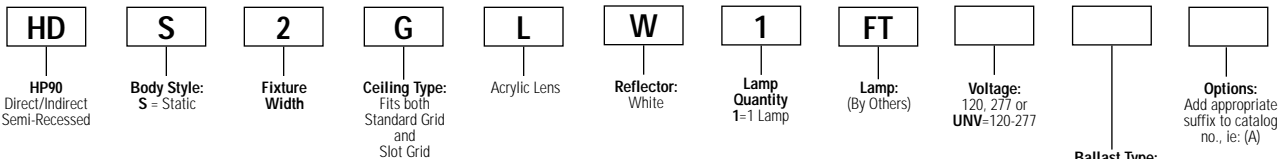
ZONE	LUMENS	% LAMP	% FIXT
0- 30	579	18.4	23.5
0- 40	957	30.4	38.8
0- 60	1723	55.0	70.3
0- 90	2463	78.2	100.0
90-180	0	0.0	0.0
0-180	2463	78.2	100.0

#### LUMINANCE DATA IN CANDELA/SQ. METER

AVERAGE IN DEG.	AVERAGE 0-DEG.	AVERAGE 45-DEG.	AVERAGE 90-DEG.
45	1687.	1949.	2186.
55	1431.	1895.	2278.
65	1043.	1897.	2439.
75	667.	2026.	2808.
85	267.	2735.	4353.

## Ordering Information

Explanation of Catalog Number: Example: HDS2GLW1FTUNVPR



## Options/Accessories

**Fusing:** Internal fast blow fusing: SUFFIX: **A**.

Internal slow blow fusing: SUFFIX: **C**.

**Drywall Kit:** Order Catalog Number: **FK92X2**.

**Electrical Wiring Options:** Emergency Packs are only available for remote mounting.  
Consult factory.

**For motion or light sensor:** See Folio OA20-10.

## Specifications

**Performance:** In an installation of 1 lamp 40W luminaires in a room cavity ratio of 1, with reflectance 80% ceiling, 50% wall, 20% floor, the C.U. shall not be less than .78. To reduce glare the average brightness at 65° shall not exceed 2439 candelas per square meter. To control veiling reflections, luminaire output in the 30°-90° zone shall not be less than 76.5%.

**Materials:** Chassis parts are die-formed code gauge steel.

**Lamp Shield:** Linear prismatic translucent DR acrylic lens.

**Finish:** Chassis exterior – Soft white post painted polyester powder. Cavity – Soft white post painted polyester powder. Rust preventative undercoating.

**Reflector** – Soft white post painted polyester powder.

Ballast Type:	<20THD	<10THD
	1 Lamp Elec. TT5 (40 Watt)	<b>SB*</b>
1 Lamp Elec. TT5 (40 Watt)	-	<b>PR†</b>
1 Lamp Elec. TT5 (50 Watt)	<b>BE</b>	-
1 Lamp Elec. TT5 (55 Watt)	-	<b>BF</b>
LOL Dimming TT5	<b>PB</b>	-

\*Instant Start Standard.

Other dimming options. Consult factory.

#### NOTE:

For TT5 40W UNV, you must use IB or PR Ballast Code.

†Program Rapid Start

**Electrical:** Thermally protected class "P" ballast C.B.M. approved, non PCB. If K.O. is within 3" of ballast, use wire suitable for at least 90°.

UL Listed for damp locations.

**Labels:** I.B.E.W./UL and ULc Listed.

This product may have a mercury containing lamp. Manage in accord with Disposal Laws. See: [www.lamprecycle.org](http://www.lamprecycle.org)

## Job Information Type:

For Factory Technical Information: (978) 657-7600 • Fax (978) 658-0595  
631 Airport Road, Fall River, MA 02720 • (508) 679-8131 • Fax (508) 674-4710

We reserve the right to change details of design, materials and finish.

[www.lightolier.com](http://www.lightolier.com) © 2008 a Philips Group

Section 5/Folio M33-30