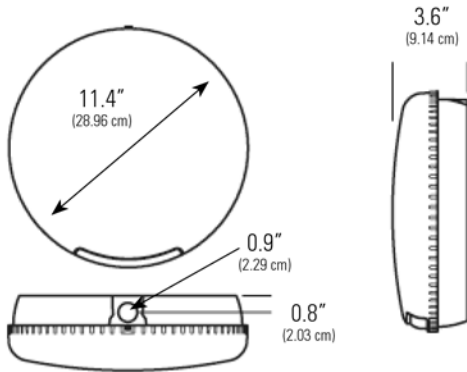


The Harmony Series is an advancement in technology and performance. Using just four 3-watt LEDs, Harmony luminaire provides prominent illumination in both normally on and emergency lighting applications.



How to Specify:

H

SERIES

H = Harmony LED Lighting Fixture

A

BATTERY

A = AC Only
N = Nickel Metal Hydride Battery (NiMH), Normally on plus emergency battery back-up

W

HOUSING FINISH

W = White
B = Black
A = Aluminum
G = Gunmetal
BR = Ornamental Bronze
AC = Aged Copper
VG = Velvet Green
N = Nickel
GA = Granite

SD2

MODEL DESIGNATOR

SD2 = Self-Diagnostics (AC & Emergency)

Features

- 1. Illumination:** Illumination is provided by two field-replaceable white LED modules and a vacuum plated polycarbonate reflector. The reflector design has been optimized to produce a 1 footcandle average illumination along a 6' x 30' path of egress when placed at a mounting height of 8' AFF. IES photometric data files are available.
- 2. Housing:** Durable and fully gasketed die cast aluminum housing and cover with UV stabilized polycarbonate lens. A full range of pleasing architecturally inspired powder coated finishes are available. Wall mounts to standard 3-1/2" or 4" octagonal junction box or single gang junction box. Surface conduit entry knockout is located on top of housing. Tamperproof hardware is included standard.
- 3. Electronics:** AC Only - 120/277 VAC dual voltage input with surge protection is standard on all models. Self-Powered Operation - Charging system is microprocessor driven with software embedded diagnostic routine and temperature compensation. 120/277 VAC input, surge protection, brownout, AC lockout and low voltage disconnect features are standard.
- 4. Self-Testing Diagnostics (optional):** The diagnostic/charging platform with optional self-testing mode automatically runs a one-minute self-test every 30 days and a 30-minute test on the sixth and twelfth month. A one-minute or 90-minute test may be initiated via the push to test switch on the unit or by activating the appropriate test command on the optional IR test device.
- 5. Electrical Specifications:** AC Only Models: 60 Hz, 0.203A (120 VAC), 60 Hz, 0.087A (120 VAC); AC Only, 2 Circuit Models: 60 Hz, 0.203A (120 VAC), 60 Hz, 0.087A (277 VAC); Self-Powered Models Without Heater: 60 Hz, 0.198A (120 VAC), 60 Hz, 0.088A (277 VAC); Self-Powered Models With Heater: 60 Hz, 0.366A (120 VAC), 60 Hz, 0.148A (277 VAC)
- 6. Battery:** Maintenance free sealed nickel metal hydride (NiMH) with 10 year life and operating temperature between 32°F (0°C) to 104°F (40°C).
- 7. Operating Temperature Range:** AC Only, Standard Wet Location: -40°F (-40°C) to 104°F (40°C); Self-Powered, Standard Wet Location: 32°F (0°C) to 104°F (40°C); Self-Powered, Wet Location with Heater: -40°F (-40°C) to 104°F (40°C)

- 8. Warranty:** Three year full electronics warranty; Five year full plus five year prorated NiMH battery warranty

Code Compliance

UL 1598 listed, UL 924 listed, UL wet location listing standard, NFPA 101, NEC, IBC, BOCA, and OSHA illumination, standard, ADA compliant

Options

2CKT1 = Two-Circuit 120/120 VAC (AC only models)
2CKT2 = Two-Circuit 277/277 VAC (AC only models)
EX = Special Input Transformer (specify voltage & frequency)
HR = Heater Option for -40°F (-40°C) to 104°F (40°C) (Self-Powered Models)
T = Self-Testing Diagnostics (Self-Powered Models)
TA = Audible Self-Testing Diagnostics (Self-Powered Models)
TD = Time Delay (Self-Powered Models)

Accessories

SDREMOTE = Infra-Red Remote Test Device

Job Information

Type:

Job Name:

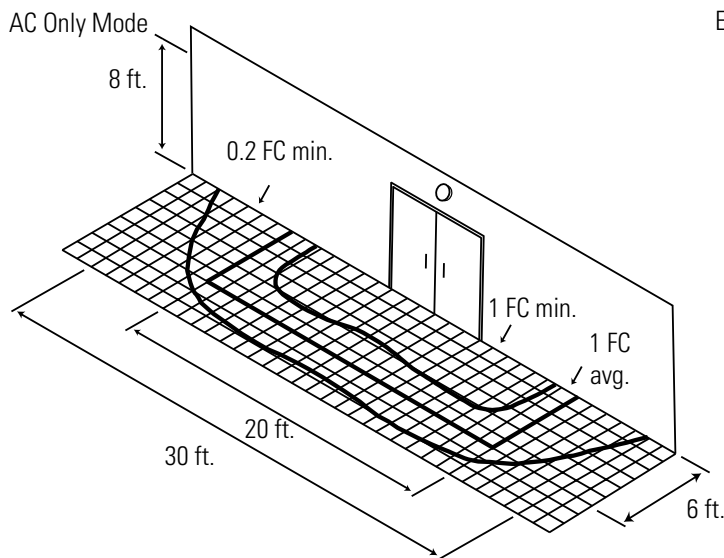
Cat. No.:

Lamp(s):

Notes:

631 Airport Road, Fall River, MA 02720 • (508) 679-8131 • Fax (508) 674-4710
We reserve the right to change details of design, materials and finish.
www.lightolier.com © 2008 Philips Group • A0608

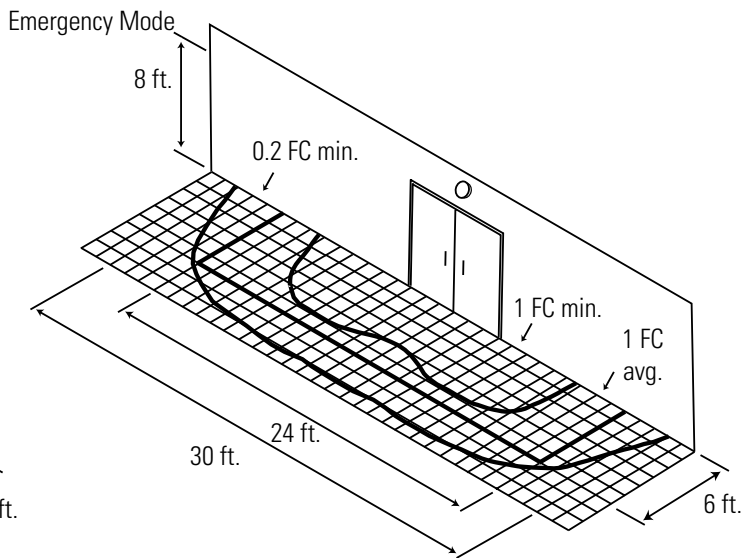
Optics*



AC Only Mode

Dual fixtures on 27' centers, 8' AFF, provide an average of 1 footcandle on a 5' wide path.

Single fixture provides an average of 1 footcandle over 20 feet on a 6' wide path.



Emergency Operation (Self-Powered)

Dual fixtures on 30' centers, 8' AFF, provide an average of 1 footcandle on a 6' wide path.

Single fixture provides an average of 1 footcandle over 24 feet on a 6' wide path.

* The optics layout shown is intended to be used as reference only. Standard reflectances used were 80/50/20. Lightolier is not responsible for site specific conditions that may alter the results.

Job Information	Type:
------------------------	--------------

631 Airport Road, Fall River, MA 02720 • (508) 679-8131 • Fax (508) 674-4710
 We reserve the right to change details of design, materials and finish.
www.lightolier.com © 2008 Philips Group • A0608