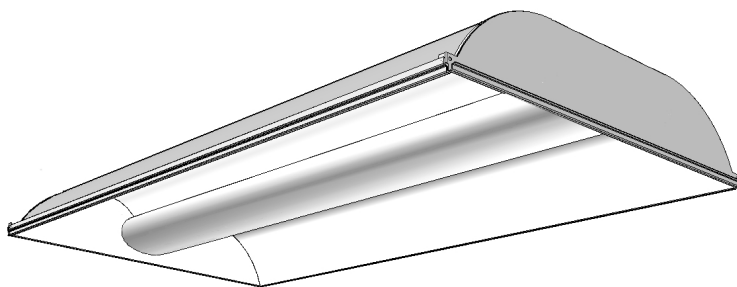


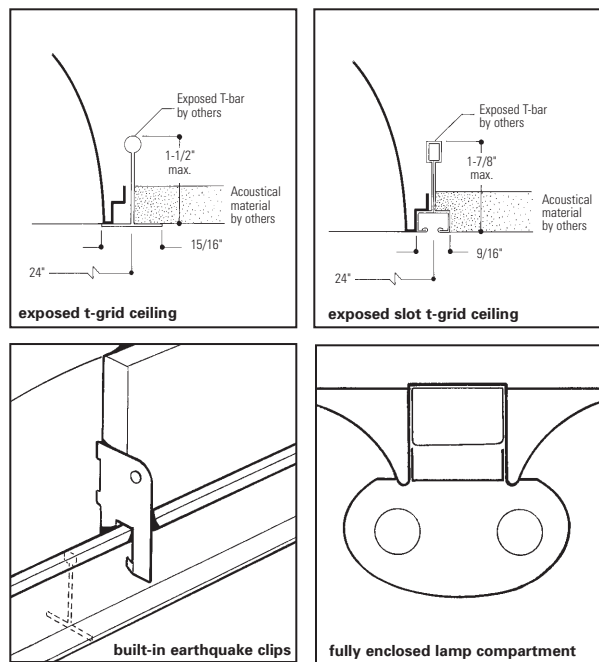
HP90 Recessed Fluorescent **H9S2GLR254 or 154**

Features

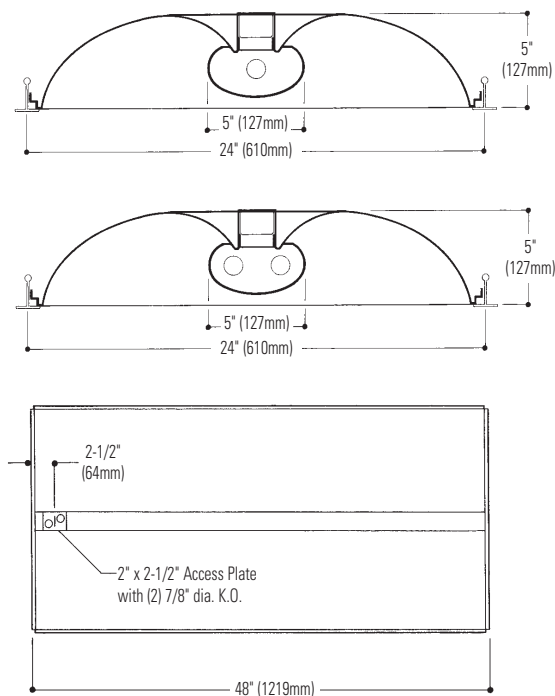
- 84.6% efficient (2 lamp, 54W).
- 81.0% efficient (1 lamp, 54W).
- Direct/indirect appearance with soft contoured interior.
- Lens encloses lamp compartment.
- Translucent DR acrylic linear prismatic lens.
- Tension screws secure ends to body.
- Same fixture fits both G and T ceiling types.
- Fits flush to face of slot grid (T) ceiling types.
- Lamp shield opens from either side.
- 95% reflective specular aluminum reflector.
- Ballast accessible from room side.
- Built-in earthquake clips.
- Can be continuous row mounted.
- Wiring access plate standard.
- Optional DALI ballast i GEN TECHNOLOGY accepts digital dimming controllers, scene controllers and automatic control devices.
- Construction to meet NYC Code or Chicago Plenum available.



Mounting Methods



Dimensions



Job Information

Type:

Job Name:

Cat. No.:

Lamp(s):

Volts/Ballast:

Lightolier a Genlyte company www.lightolier.com
 Technical Information: (978) 657-7600 • Fax (978) 658-0595
 631 Airport Road, Fall River, MA 02720 • (508) 679-8131 • Fax (508) 674-4710
 We reserve the right to change details of design, materials and finish.
 © 2006 a Genlyte company **Section 5/Folio M32-11**



HP90 Recessed Fluorescent **H9S2GLR254 or 154**

Model No. H9S2GLR154UNVPG

LER = FP - 57.1 IW - 62.4 BF - 1.0
Comparative yearly lighting energy cost per
1000 lumens = \$4.20

Report Number: G2006154
Catalog Number: H9S2GLR154UNVPG
Lamps: F54 T5 HO
Luminaire: HP90 2' x 4' with linear
prismatic lens.
Ballast: Advance ICN-2S54 UNV PG
Report is based on 4400 Lumens per lamp.
Efficiency: 81.0%
CIE Type-Direct-Indirect
Plane: 0-Deg 90-Deg
Spacing Criteria: 1.3 1.2
Shielding Angles: 90 90
Plane: 0-Deg 90-Deg
Luminous Length: 47.760 23.760

CANDELA DISTRIBUTION

	0.0	45.0	90.0	FLUX
0	1393	1393	1393	
5	1374	1395	1411	133
15	1323	1360	1366	382
25	1235	1232	1213	566
35	1101	1028	1017	651
45	889	796	818	631
55	598	566	642	529
65	319	390	545	410
75	121	241	317	239
85	10	10	10	24
90	2	2	2	

COEFFICIENTS OF UTILIZATION – ZONAL CAVITY METHOD. EFFECTIVE FLOOR CAVITY REFLECTANCE 0.20

RC	80	50	30
RW 70	50	30	10
1	89	85	82
2	81	74	69
3	74	66	59
4	68	58	51
5	63	52	45
6	58	47	40
7	54	43	36
8	50	39	33
9	47	36	30
10	44	33	27

ZONAL LUMEN SUMMARY

ZONE	LUMENS	% LAMP	% FIXT
0- 30	1081	24.6	30.3
0- 40	1732	39.4	48.6
0- 60	2892	65.7	81.1
0- 90	3566	81.0	100.0
90-180	0	0.0	0.0
0-180	3566	81.0	100.0

LUMINANCE DATA IN CANDELA/SQ. METER

AVERAGE IN DEG.	AVERAGE 0-DEG.	AVERAGE 45-DEG.	AVERAGE 90-DEG.
45	1717.	1537.	1580.
55	1424.	1347.	1528.
65	1031.	1260.	1761.
75	638.	1271.	1672.
85	157.	157.	157.

Model No. H9S2GLR254UNVPG

LER = FP - 66.5 IW - 112.39 BF - 1.0
Comparative yearly lighting energy cost per
1000 lumens = \$3.61

Report Number: G2006118
Catalog Number: H9S2GLR254UNVPG
Lamps: F54 T5 HO
Luminaire: HP90 2' x 4' with linear
prismatic lens.
Ballast: B254UNV-E
Report is based on 4400 Lumens per lamp.
Efficiency: 84.6%
CIE Type-Direct-Indirect
Plane: 0-Deg 90-Deg
Spacing Criteria: 1.3 1.4
Shielding Angles: 90 90
Plane: 0-Deg 90-Deg
Luminous Length: 46.800 22.800

CANDELA DISTRIBUTION

	0.0	45.0	90.0	FLUX
0	2340	2340	2340	
5	2320	2339	2354	223
15	2228	2326	2406	658
25	2079	2280	2417	1044
35	1851	2134	2220	1303
45	1548	1790	1827	1348
55	1173	1345	1428	1197
65	771	963	1099	950
75	383	625	665	597
85	75	95	60	125
90	0	0	0	

COEFFICIENTS OF UTILIZATION – ZONAL CAVITY METHOD. EFFECTIVE FLOOR CAVITY REFLECTANCE 0.20

RC	80	50	30
RW 70	50	30	10
1	92	88	84
2	83	76	70
3	76	67	59
4	69	59	51
5	64	52	45
6	59	47	39
7	54	43	35
8	50	39	32
9	47	36	29
10	44	33	26

ZONAL LUMEN SUMMARY

ZONE	LUMENS	% LAMP	% FIXT
0- 30	1926	21.9	25.9
0- 40	3229	36.7	43.4
0- 60	5774	65.6	77.5
0- 90	7446	84.6	100.0
90-180	0	0.0	0.0
0-180	7446	84.6	100.0

LUMINANCE DATA IN CANDELA/SQ. METER

AVERAGE IN DEG.	AVERAGE 0-DEG.	AVERAGE 45-DEG.	AVERAGE 90-DEG.
45	3179.	3676.	3752.
55	2970.	3405.	3615.
65	2649.	3309.	3776.
75	2149.	3507.	3731.
85	1250.	1583.	1000.

Ordering Information

Explanation of Catalog Number. Example: H9S2GLR254UNVPGGLR

HP90
Direct/Indirect
Recessed

S
Body Style:
S = Static

2
Fixture
Width

G
Ceiling Type:
Fits both
Standard Grid
and
Slot Grid

L
Acrylic Lens

R
Reflector:
Specular
Aluminum

**Lamp
Quantity**
1=1 Lamp
2=2 Lamp

54
Lamp:
(By Others)
54=15 54W
(Nominal 48")

Voltage:
120, 277 or
UNV=120-277

Options:
Add appropriate
suffix to catalog
no., ie: (GLR)

Ballast Type:

H9 Standard HP90

HY For NYC Code – I.B.E.W. Manufactured

HN For NYC Code – Local 3 Manufactured

Options/Accessories

Fusing: Internal fast blow fusing: SUFFIX: **GLR**.
Internal slow blow fusing: SUFFIX: **GMF**.

Drywall Kit: Order Catalog Number: **FK92X4**.

Electrical Wiring Options: Consult factory.

For motion or light sensor: See Folio OA20-10.

Specifications

Performance: In an installation of 2 lamp 54W luminaires in a room cavity ratio of 1, with reflectance 80% ceiling, 50% wall, 20% floor, the C.U. shall not be less than .88. To reduce glare the average brightness at 65° shall not exceed 3776 candelas per square meter. To control veiling reflections, luminaire output in the 30°-90° zone shall not be less than 74.1%.

Materials: Chassis parts are die-formed code gauge steel.

Lamp Shield: Linear prismatic translucent DR acrylic lens.

Finish: Chassis exterior – baked white acrylic enamel. **Cavity** – baked flat white acrylic enamel. Phosphate undercoating. **Reflector** – low iridescence specular aluminum 95% reflectance.

Specifications (continued)

Electrical: Thermally protected class "P" ballast C.B.M. approved, non PCB. If K.O. is within 3" of ballast, use wire suitable for at least 90°. UL Listed for damp locations.

Labels: I.B.E.W./UL and ULc Listed.

This product may have a mercury containing lamp. Manage in accord with Disposal Laws. See: www.lamprecycle.org

Job Information

Type:

Lightolier a Genlyte company www.lightolier.com
Technical Information: (978) 657-7600 • Fax (978) 658-0595
631 Airport Road, Fall River, MA 02720 • (508) 679-8131 • Fax (508) 674-4710
We reserve the right to change details of design, materials and finish.
© 2006 a Genlyte company **Section 5/Folio M32-11**

LIGHTOLIER